

POPPET VALVES



1/2" VALVES



LOGIC VALVES



SEMAKMATIC
PNEUMATIC EQUIPMENTS



BRASS VALVES



MULTIPIN VALVES



1/8" VALVES

PNEUMATIC VALVES

SOLENOID – PILOT – MANUEL - MECHANICAL



SEMAKMATIC
PNEUMATIC EQUIPMENTS

PNEUMATIC VALVES

POPPET VALVES

1/8" VALVES

SMX VALVES

1/4" VALVES

1/2" VALVES

ISO VALVES

BRASS VALVES

MULTIPIN VALVES

LOGIC VALVES

MINI VALVES

INDEX & CERTIFICAT

- 3/2 N.C. 24 V dc MIDI POPPET VALVES Pag. 2.1
- 3/2 N.C. 24 V dc MINI POPPET VALVES & BASES Pag. 2.2
- 3/2 N.C. MAXI POPPET VALVES & BASES Pag. 2.4

POPPET VALVES



- 3/2 – 5/2 – 5/3 SOLENOID VALVES Pag. 2.6
- 3/2 – 5/2 – 5/3 PILOT / AERIAL / FRONT LEVER Pag. 2.12
- 3/2 – 5/2 DRAWER / PLUNGER / ROLLER LEVER Pag. 2.20
- 3/2 – 5/2 – 5/3 HAND LEVER / PUSH BUTTON Pag. 2.29
- BASES & COILS – EXPROOF COILS & SOCKETS Pag. 2.35

1/8" VALVES



- 5/2 – 5/3 SOLENOID VALVES & EXTERNAL PILOT Pag. 2.38
- BASES & COILS – EXPROOF COILS & SOCKETS Pag. 2.42

SMX SERIE VALVES



- 3/2 – 5/2 – 5/3 SOLENOID VALVES Pag. 2.46
- NAMUR VALVES Pag. 2.52
- PILOT VALVES / HAND LEVER VALVES Pag. 2.54
- DRAWER VALVES / PEDAL VALVES Pag. 2.62
- BASES & COILS – EXPROOF COILS & SOCKETS Pag. 2.65

1/4" VALVES & namur



- 3/2 - 5/2 – 5/3 SOLENOID VALVES Pag. 2.68
- 3/2 – 5/2 – 5/3 PILOT VALVES Pag. 2.74

1/2" VALVES



ISO VALVES



- ❑ ISO 1 SERIE & BASES [Pag. 2.80](#)
- ❑ IS O2 SERIE & BASES [Pag. 2.90](#)
- ❑ ISO 3 SERIE & BASES [Pag. 2.100](#)
- ❑ COILS & SOCKETS and EXPROOF COILS [Pag. 2.105](#)

BRASS VALVES



- ❑ 1/8" BRASS VALVE [Pag. 2.106](#)
- ❑ 1/4" BRASS VALVE [Pag. 2.107](#)
- ❑ 3/8" – 1/2" – 3/4" – 1" BRASS VALVE [Pag. 2.108](#)
- ❑ 1 1/2" – 2" BRASS VALVE [Pag. 2.109](#)
- ❑ COIL & SOCKET [Pag. 2.111](#)

MULTI PIN VALVES



- ❑ 2* 3/2 – 5/2 – 5/3 C.C. VALVES [Pag. 2.112](#)
- ❑ MP BASES [Pag. 2.116](#)
- ❑ CABLES & ACCESSORIES [Pag. 2.117](#)

LOGIC VALVES



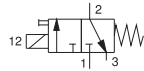
- ❑ LOGIC YES – NOT – MEMORY -VALVES [Pag. 2.118](#)
- ❑ OR – AND GATE [Pag. 2.121](#)
- ❑ TIMERS [Pag. 2.123](#)
- ❑ COUNTERS [Pag. 2.125](#)
- ❑ TRESHOLD SENSOR / AL. BODY OR GATE [Pag. 2.129](#)

MINI VALVES

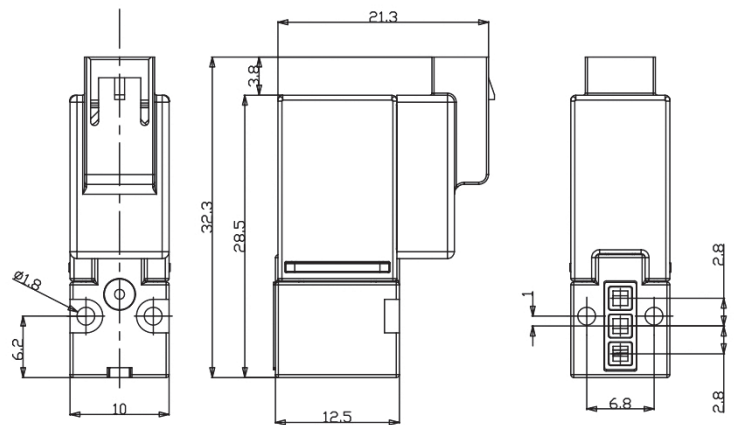


- ❑ PLUNGER VALVES & PUSH BUTTONS [Pag. 2.132](#)
- ❑ ROLLER LEVER VALVES [Pag. 2.134](#)
- ❑ AERIAL INTEGRATED VALVE [Pag. 2.136](#)
- ❑ PANEL MOUNTED PLUNGER VALVE [Pag. 2.137](#)
- ❑ MINI PEDAL VALVES [Pag. 2.138](#)

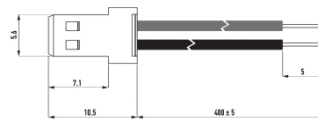
3/2 N.C. 24 V dc.



DRAWING

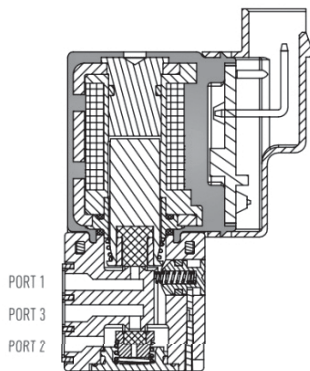


CABLE & connector



INTERNAL VIEW

- 1) Inlet pressure
- 2) Outlet pressure
- 3) Exhaust



ORDERING CODE for a VALVE

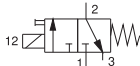
3/2 N.C. 24 V dc : SMV32M5TBP1TNK
 CABLE & CONNECTOR for a VALVE : SMV32M5TBP1T01

The 10 mm solenoid valve serie of SEMAKMATIC is designed just for to use with pressured air. The solenoid valve is composed by an encapsulated coil joined to a plastic valve body made by PBT . The assembly is not detachable . Very low power consumption and high cycling rate is usefull for high speed industrial applications. The coil is also in conformity with 94/9/ec ATEX for electrical apparatus of group II , cathegory 3.

Fluid	: Compressed filtered air without lubrication 10 µm filtering degree is highly recommended
Pressure range	: min. 0 bar - max. 8 bar
Temperature range	: - 5 °C / + 50 °C
Version	: 3/2 " N.C. 24 V dc.
Materials	
Spring	: Stainless steel
Copper wire	: Class H 180 ° IEC 60317 - 51
Seals	: H - NBR
Body	: PBT (polybutylene terephthalate)
Coil datas	: 1 W / 24 v dc. / F class insulation / %100 duty cycle
Manuel override	: Monostable
Flow rate	: 15 NI/ min at 6 bar
Responce time .	: 10 ms.
Life time	: 50 milion cycle

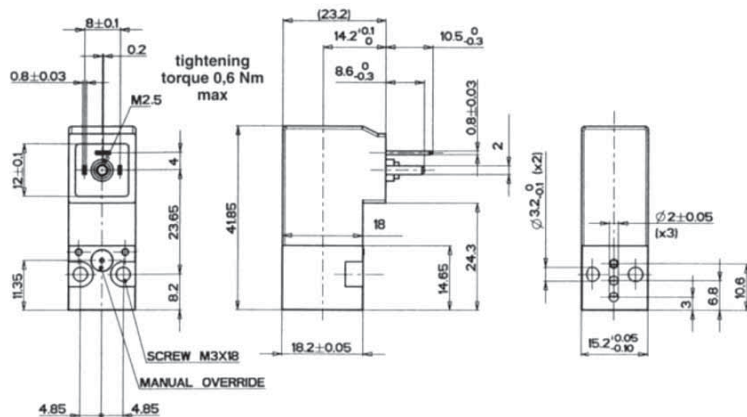
MIDI POPPET VALVE (3/2 - N.C. – 24 V dc.)

3/2 N.C. 24 V dc. (DIN – C)



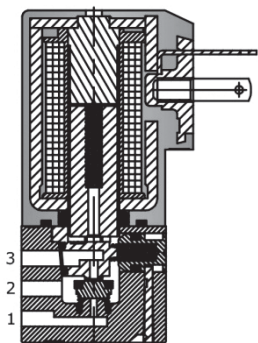
Pneumatic ports and the electrical connection is on the same side

DRAWING



Pneumatic ports and the electrical connection is at the opposite side

INTERNAL VIEW



- 1) Inlet pressure
- 2) Outlet pressure
- 3) Exhaust

ORDERING CODE for a VALVE

3/2 N.C. 24 V dc (DIN – C) : SMV32M5TBP2TNK
 SOCKET for a VALVE : SMBS150000000

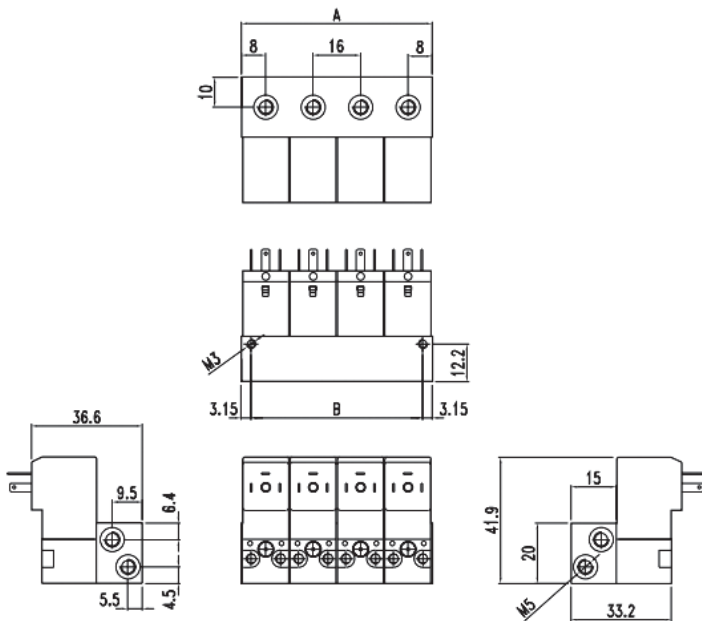
We supply the valves , electric and pneumatic ports at the same side

The 15 mm solenoid valve serie of SEMAKMATIC is designed for high performance . Very low power consumption with a high flow rate and high cycling speed , suitable for every kind of pneumatic industrial applications .

The coil is also in conformity with 94/9/ec ATEX for electrical apparatus of group II , category 3.

Fluid	: Compressed filtered air without lubrication 10 µm filtering degree is highly recommended
Pressure range	: min. 0 bar - max. 10 bar
Temperature range	: - 5 °C / + 50 °C
Version	: 3/2 " N.C. 24 V dc.
Materials	
Spring	: Stainless steel
Copper wire	: Class H 200° IEC 60317 - 13
Seals	: NBR
Body	: PPS
Coil datas	: 1 W / 24 v dc. / F class insulation / %100 duty cycle / PA 6.6 glass reinforced
Manuel override	: Monostable
Flow rate	: 30 NI/ min at 6 bar
Responce time .	: 15 ms.
Life time	: 50 milion cycle

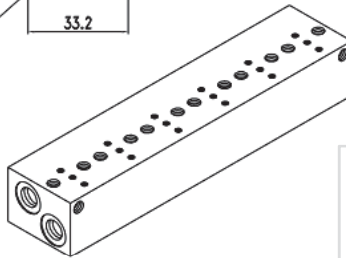
DRAWING for a BASE



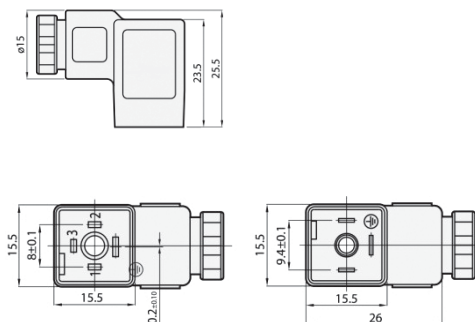
ORDERING CODES for BASES & PLANKING PLATE

1 POSITION MIDI BASE	:	SMVPLP20001MID
2 POSITION MIDI BASE	:	SMVPLP20002MID
3 POSITION MIDI BASE	:	SMVPLP20003MID
4 POSITION MIDI BASE	:	SMVPLP20004MID
5 POSITION MIDI BASE	:	SMVPLP20005MID
6 POSITION MIDI BASE	:	SMVPLP20006MID
8 POSITION MIDI BASE	:	SMVPLP20008MID
10 POSITION MIDI BASE	:	SMVPLP20010MID
BLANKING PLATE	:	SMVPLP2000KMID

	A	B
POS 1	16	9,7
POS 2	32	25,7
POS 3	48	41,7
POS 4	64	57,7
POS 5	80	73,7
POS 6	96	89,7
POS 8	128	121,7
POS 10	160	153,7



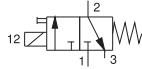
CCONNECTOR (DIN – 43650 – C)



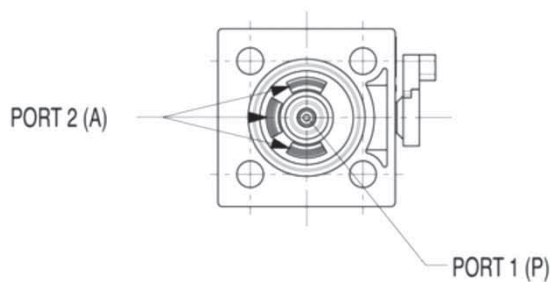
Form	DIN 43650 - C
Cable entry	PG 7 (4 - 6 mm)
Protection class	IP 65
Working voltage	AC 250 V max.
Normal current	6 A (max. 16A / 40 °C)
Contact resistance	≤ 4 mΩ
Gasket material	NBR
Max. conductor section	3 * 0,75 mm ² - 4* 0,75 mm ²

MAXI POPPET VALVE (3/2 - N.C.)

3/2 N.C.

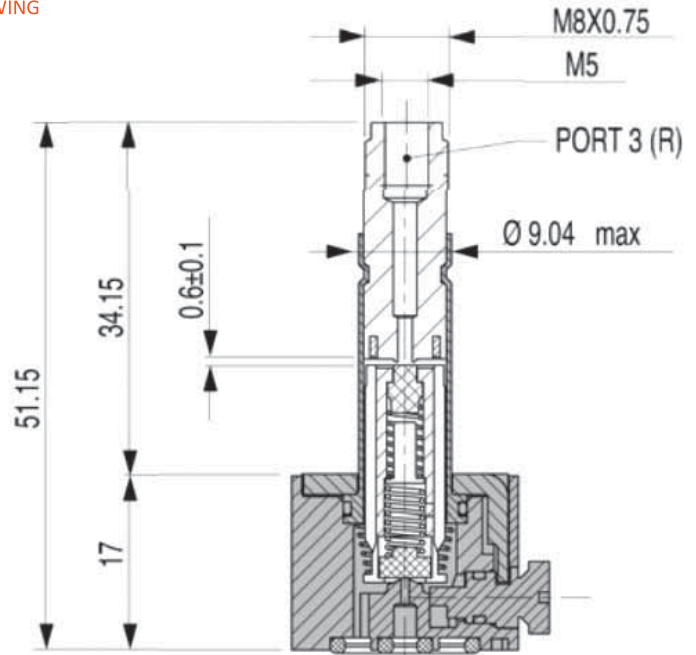


BOTTOM VIEW



- 1) Inlet pressure
- 2) Outlet pressure
- 3) Exhaust (PORT 3 "R")

DRAWING



ORDERING CODE for a VALVE

3/2 N.C. VALVE

: SMV3218TBP3MNK

* For coil , socket and spare parts please see page 2.37

The 22 mm solenoid valve serie of SEMAKMATIC is designed for a base mounting applications ; The serie can also be used as a solenoid pilot of main control valve . Standart 22 mm coil and 9 mm brass tube suitable for any type of pneumatic valve.
The coil is also in conformity with 94/9/ec ATEX for electrical apparatus of group II , category 3.

Fluid : Compressed filtered air with or without lubrication

Orifice size : 1,5 mm

Pressure range : min. 0 bar - max. 10 bar

Temperature range : - 10 °C / + 60 °C

Version : 3/2 " N.C.

Materials

Spring : Stainless steel

Tube : Brass tube Ø 9 mm

Seals : NBR

Body : Glass reinforced polyester

Coil datas : Ø 9 mm wide 22 or 30 mm

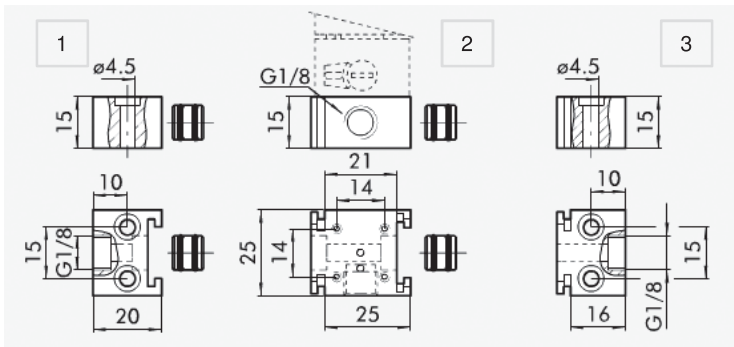
Manuel override : Bistable , detended

Flow rate : 50 NI/ min at 6 bar

Responce time . : 15 ms.

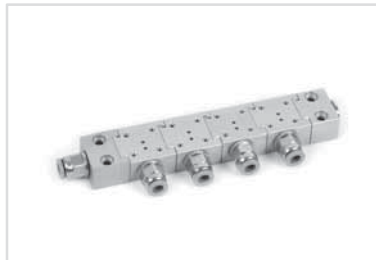
Life time : 50 milion cycle

DRAWING for a BASE



ORDERING CODES for a BASE

ENTRY BASE (1)	:	SMVPLP300OPMAX
MIDDLE BASE (2)	:	SMVPLP300GPMAX
END BASE (3)	:	SMVPLP300CPMAX



ACCESSORIES & SPARE PARTS



COILS & SOCKETS
(page 2.37)



9 mm BRASS
TUBE & NUCLEUS
Cod. SMV1802

3/2 - 1/8" SINGLE SOLENOID N.C. / N.O.



- * Flow rate is 650 NI / min. at 6 bar .
- * Max working pressure is 10 bar .
- * Aluminium body.
- * Voltages are 24 v dc – 24 v ac – 110 v ac – 220 v ac
- * Spool with spring return air pilot supported
- * Manuel override detendet
- * Min working pressure is 1,5 bar
- * Suitable for non oily applications.

3/2 - 1/8" SINGLE SOLENOID / external pilot

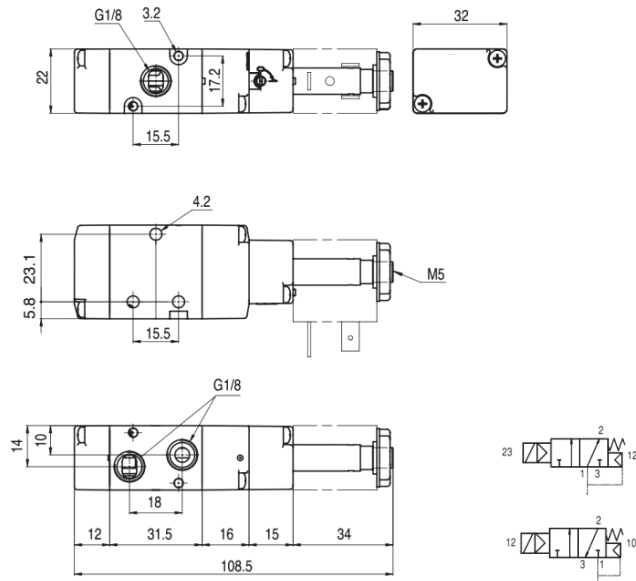


ORDERING CODES for a VALVE

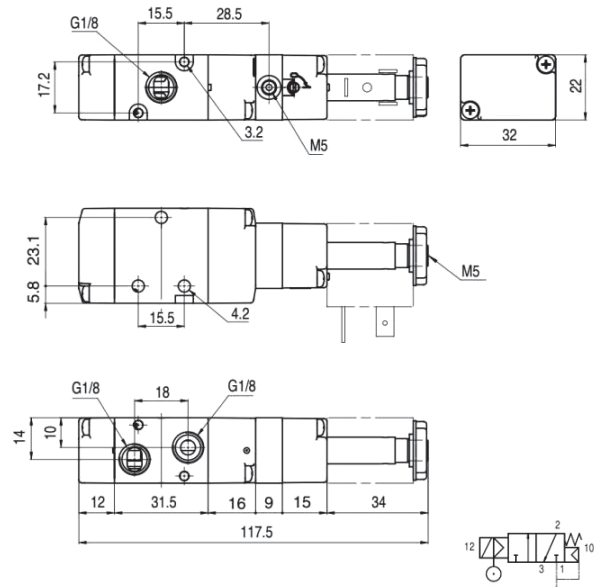
3/2 - 1/8" SINGLE SOLENOID n.c.	: SMV3218TB00MNK
3/2 - 1/8" SINGLE SOLENOID n.c. external pilot	: SMV3218TB00PMNK
3/2 - 1/8" SINGLE SOLENOID n.o.	: SMV3218TB00MNA
3/2 - 1/8" SINGLE SOLENOID n.o. external pilot	: SMV3218TB00PMNA

Fluid	: Compressed filtered air with or without lubrication
	If lubrication used at ones must be continious .
Pressure range	: min.1,5 bar - max. 10 bar
Temperature range	: - 10 °C / + 60 °C
Version	: 3/2 - 1/8" N.C. / 3/2 - 1/8 " N.O. / 3/2 - 1/8" external pilot
Materials	
Covers	: DELRIN 500
spool	: hard aluminium anodized
Seals	: NBR
Body	: Anodized aluminium
Orifice	: 6,5 mm
Mounting	: In any position
Flow rate	: 650 NI/ min at 6 bar
Cycle per min.	: 180 cycle / min
Vacuum	: Suitable with external pilot version

DRAWING (N.C. / N.O.)



DRAWING (external pilot)



ACCESSORIES & SPARE PARTS



COILS & SOCKETS
(page 2.37)



O- RING KIT
Cod. SMV1801



9 mm BRASS
TUBE & NUCLEUS
Cod. SMV1802

5/2 – 1/8" SINGLE SOLENOID (spring return / external pilot)



- * Flow rate is 650 NI / min. at 6 bar .
- * Max working pressure is 10 bar .
- * Aluminium body.
- * Voltages are 24 v dc – 24 v ac – 110 v ac – 220 v ac
- * Spool with spring return air pilot supported (with single solenoid)
- * Manuel override detendet
- * Min. working pressure is 1 bar (with bistable version)
- * Suitable for non oily applications.

5/2 – 1/8" DOUBLE SOLENOID (bistable / external pilot)

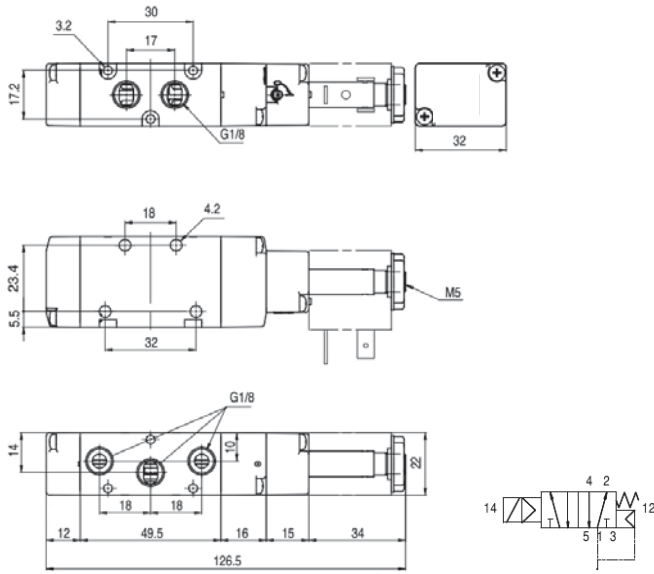


ORDERING CODES for a VALVE

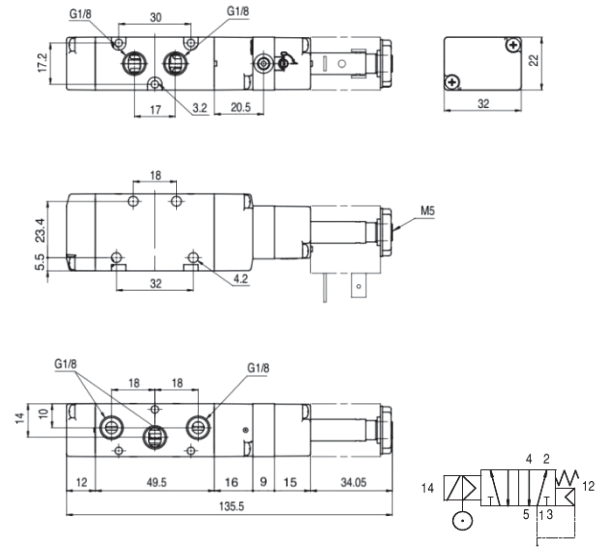
5/2 – 1/8" SINGLE SOLENOID	: SMV5218TB00M00
5/2 – 1/8" SINGLE SOLENOID external pilot	: SMV5218TBDPM00
5/2 – 1/8" BISTABLE	: SMV5218CB00M00
5/2 – 1/8" BISTABLE external pilot	: SMV5218CBDPM00

Fluid	: Compressed filtered air with or without lubrication
	If lubrication used at ones must be continious .
Pressure range	: min.1,5 bar - max. 10 bar spring return / min. 1 bar – max. 10 bar bistable
Temperature range	: - 10 °C / + 60 °C
Version	: 5/2 - 1/8" spring return / external pilot / bistable
Materials	
Covers	: DELRIN 500
spool	: hard aluminium anodized
Seals	: NBR
Body	: Anodized aluminium
Orifice	: 6,5 mm
Mounting	: In any position
Flow rate	: 650 NI/ min at 6 bar
Cycle per min.	: 180 cycle / min for bistable 190 cycle / min.
Vacuum	: Suitable with external pilot version

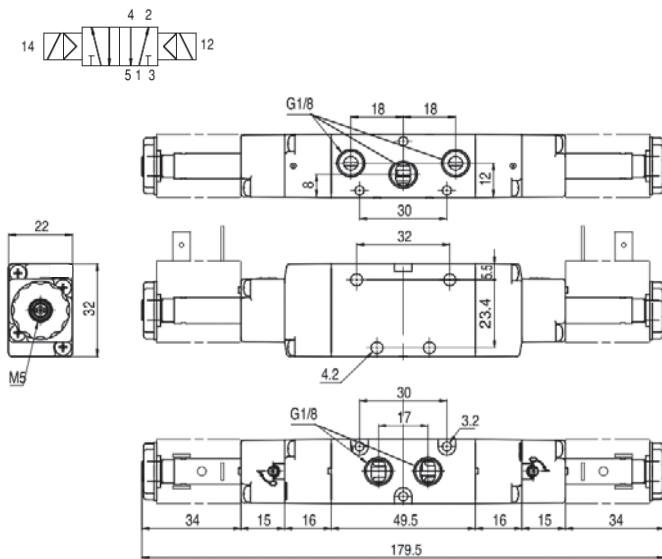
DRAWING (5/2 spring return)



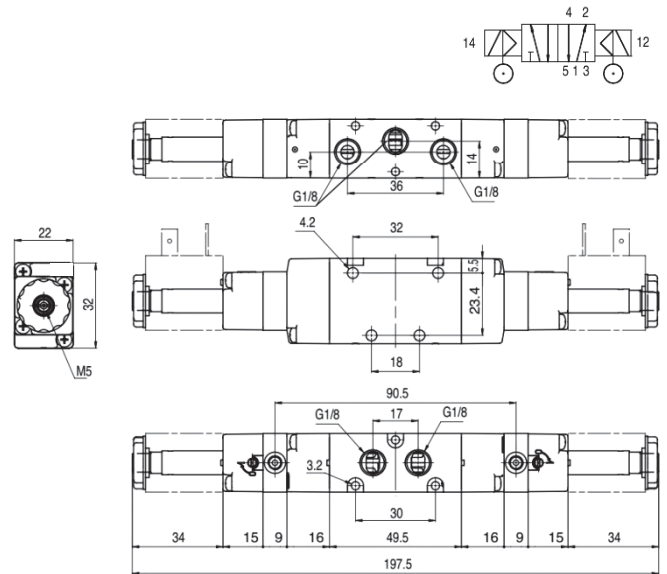
DRAWING (5/2 spring return with external pilot)



DRAWING (5/2 bistable)



DRAWING (5/2 bistable with external pilot)



ACCESSORIES & SPARE PARTS



COILS & SOCKETS
(page 2.37)



O- RING KIT
Cod. SMV1801



9 mm BRASS
TUBE & NUCLEUS
Cod. SMV1802



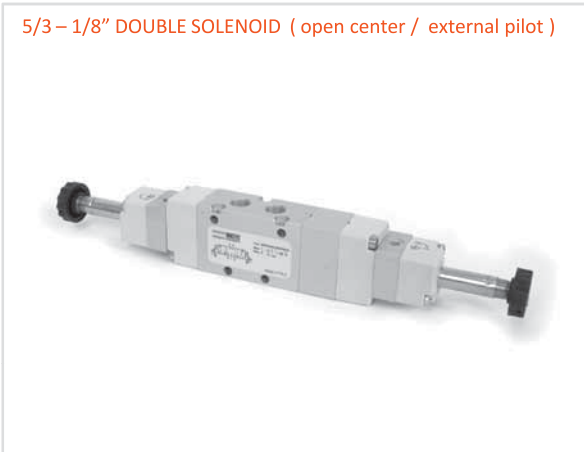
BASES &
BLANKING PLATE
(page 2.35)

5/3 – 1/8" DOUBLE SOLENOID (closed center / external pilot)



- * Flow rate is 650 NI / min. at 6 bar .
- * Max working pressure is 10 bar .
- * Aluminium body.
- * Voltages are 24 v dc – 24 v ac – 110 v ac – 220 v ac
- * Spool with spring return
- * Manuel override detendet
- * Min. working pressure is 2,5 bar
- * Suitable for non oily applications.

5/3 – 1/8" DOUBLE SOLENOID (open center / external pilot)

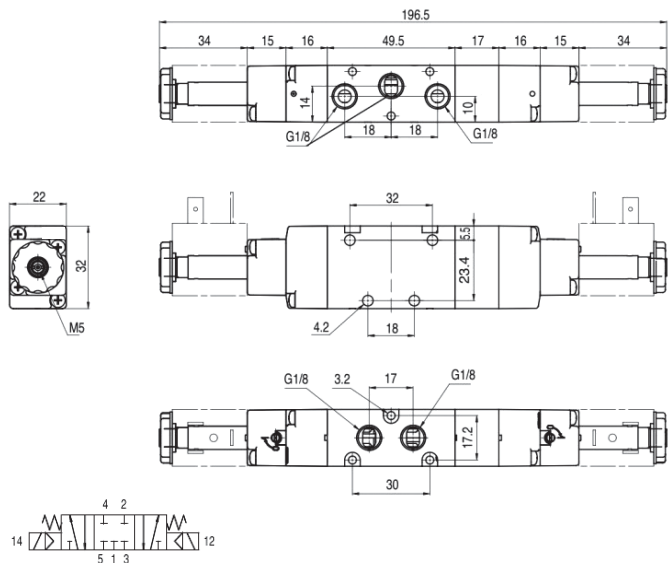


ORDERING CODES for a VALVE

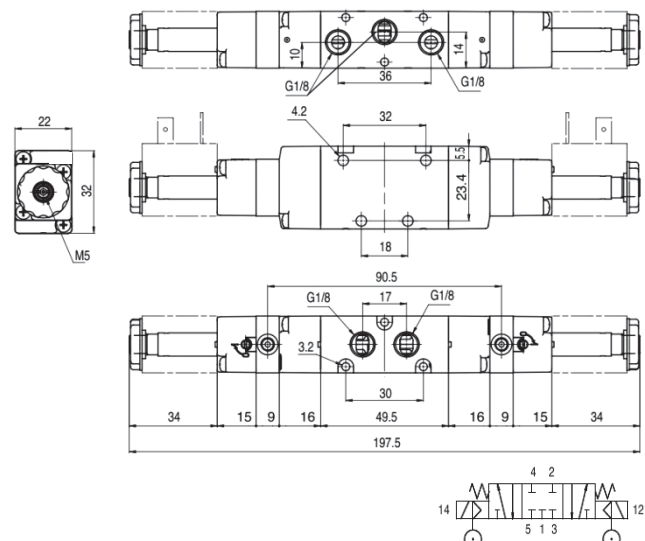
5/3 – 1/8" DOUBLE SOLENOID	C.C	:	SMV5318CB00MKM
5/3 – 1/8" DOUBLE SOLENOID	C.C. external pilot	:	SMV5318CBDPMKM
5/3 – 1/8" DOUBLE SOLENOID	O.C.	:	SMV5318CB00MAM
5/3 – 1/8" DOUBLE SOLENOID	O.C. external pilot	:	SMV5318CBDPMAM

Fluid	:	Compressed filtered air with or without lubrication
		If lubrication used at ones must be continious .
Pressure range	:	min.2,5 bar - max. 10 bar
Temperature range	:	- 10 °C / + 60 °C
Version	:	5/3 - 1/8" double solenoid / closed center / open center / external pilot
Materials		
	Covers	: DELRIN 500
	spool	: hard aluminium anodized
	Seals	: NBR
	Body	: Anodized aluminium
Orifice	:	6,5 mm
Mounting	:	In any position
Flow rate	:	650 NI/ min at 6 bar
Cycle per min.	:	150 cycle / min (from port 2 or port 4 to neutral position)
Vacuum	:	Suitable with external pilot version

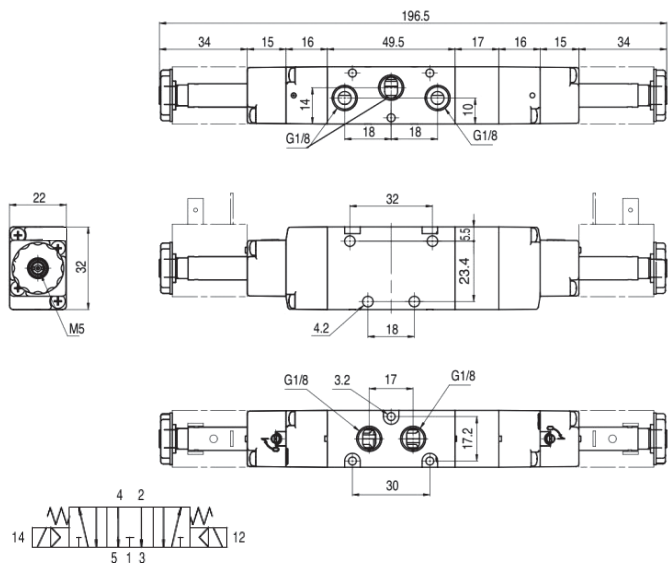
DRAWING (5/3 closed center)



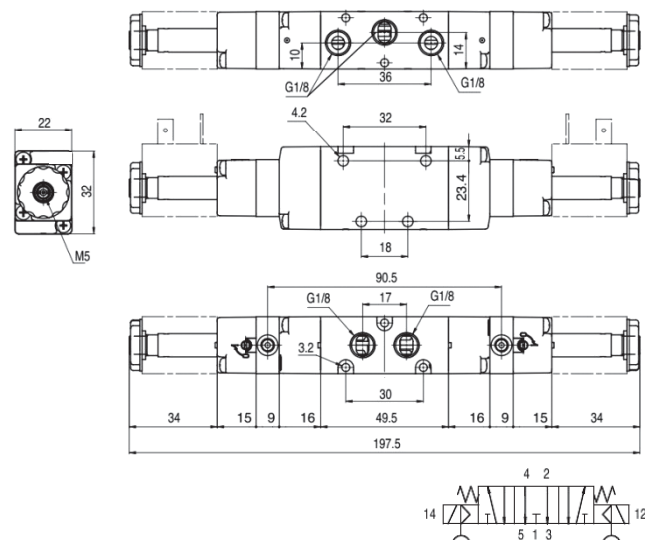
DRAWING (5/3 closed center with external pilot)



DRAWING (5/3 open center)



DRAWING (5/3 open center with external pilot)



ACCESSORIES & SPARE PARTS



COILS & SOCKETS
(page 2.37)



O- RING KIT
Cod. SMV1801



9 mm BRASS
TUBE & NUCLEUS
Cod. SMV1802



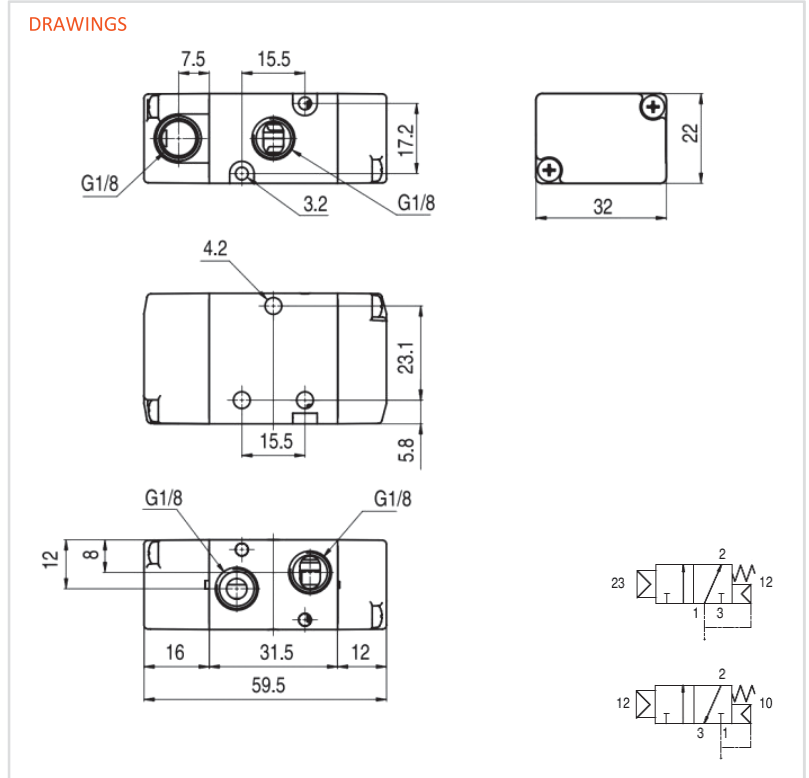
BASES &
BLANKING PLATE
(page 2.35)

3/2 - 1/8" PILOT / SPRING



- * Flow rate is 650 NI / min. at 6 bar .
- * Max working pressure is 10 bar .
- * Aluminium body.
- * Minimum working pressure is 1,5 bar
- * Spool with spring return air pilot supported
- * Suitable for non oily applications

DRAWINGS



ORDERING CODE for a VALVE

3/2 - 1/8" PILOT / SPRING (N.C.)
 3/2 - 1/8" PILOT / SPRING (N.O.)

: SMV3218HY00MKNK
 : SMV3218HY00MNNA

* For spare parts please see page 2.36

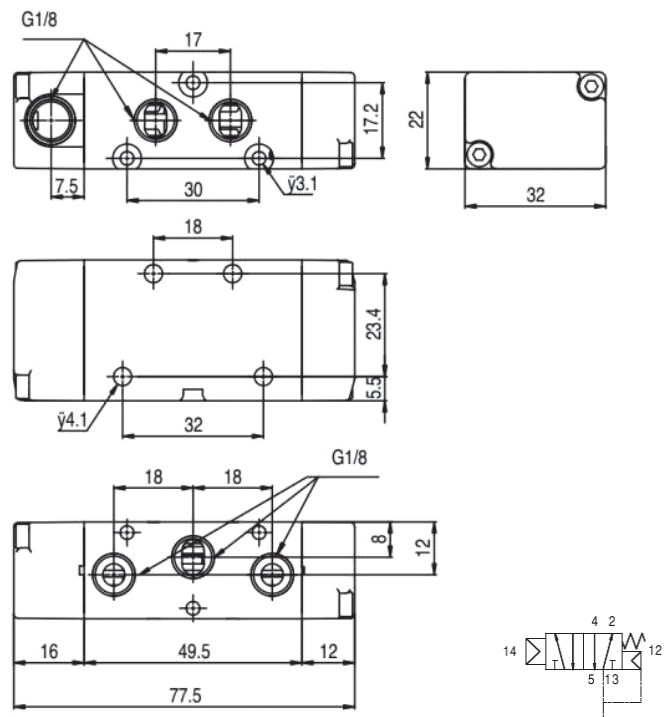
Fluid	: Compressed filtered air with or without lubrication
	If lubrication used at ones must be continuous .
Pressure range	: min.1,5 bar - max. 10 bar
Temperature range	: - 10 °C / + 60 °C
Version	: 3/2 - 1/8" PILOT / SPRING N.C. or N.O.
Materials	
Covers	: DELRIN 500
spool	: hard aluminium anodized
Seals	: NBR
Body	: Anodized aluminium
Orifice	: 6,5 mm
Mounting	: In any position
Flow rate	: 650 NI/ min at 6 bar
Cycle per min.	: 180 cycle / min (depends upon the signal inlet and outlet)
Vacuum	: Suitable

5/2 – 1/8" PILOT / SPRING



- * Flow rate is 650 NI / min. at 6 bar .
- * Max working pressure is 10 bar .
- * Aluminium body.
- * Minimum working pressure is 1,5 bar
- * Spool with spring return air pilot supported
- * Suitable for non oily applications

DRAWINGS



ORDERING CODE for a VALVE

5/2 – 1/8" PILOT / SPRING

: SMV5218HY00M00

* For spare parts see page 2.36 and bases see page 2.35

Fluid : Compressed filtered air with or without lubrication

If lubrication used at ones must be continuous .

Pressure range : min.1,5 bar - max. 10 bar

Temperature range : - 10 °C / + 60 °C

Version : 5/2 - 1/8" PILOT / SPRING

Materials

Covers : DELRIN 500

spool : hard aluminium anodized

Seals : NBR

Body : Anodized aluminium

Orifice : 6,5 mm

Mounting : In any position

Flow rate : 650 NI/ min at 6 bar

Cycle per min. : 180 cycle / min (depends upon the signal inlet and outlet)

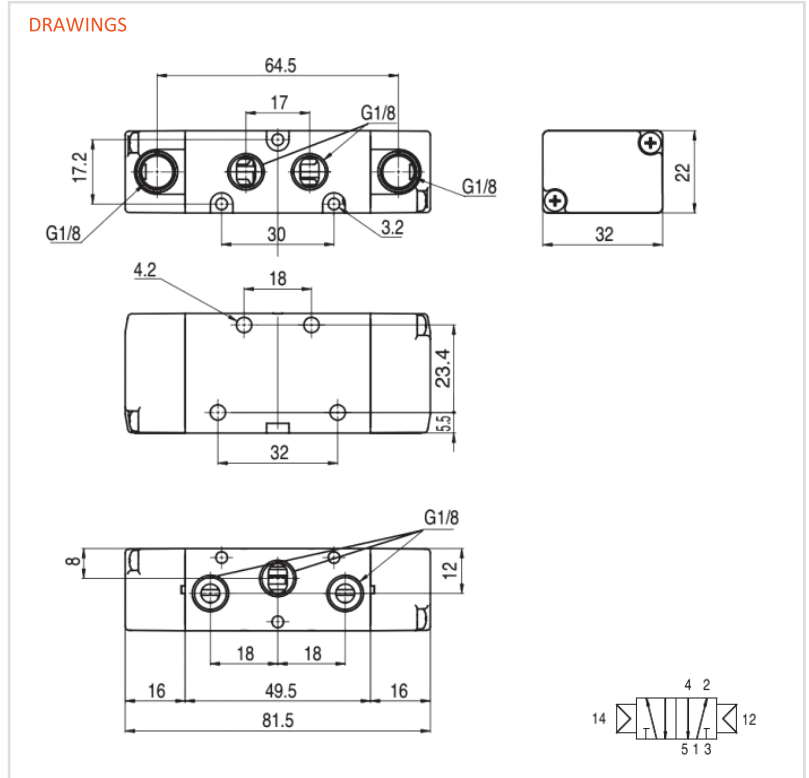
Vacuum : Suitable

5/2 - 1/8" PILOT / PILOT



- * Flow rate is 650 NI / min. at 6 bar .
- * Max working pressure is 10 bar .
- * Aluminium body.
- * Minimum working pressure is 1 bar
- * 1/8" pilot ports
- * Suitable for non oily applications

DRAWINGS



ORDERING CODE for a VALVE

5/2 - 1/8" PILOT / PILOT

: SMV5218HH00M00

* For spare parts see page 2.36 and bases see page 2.35

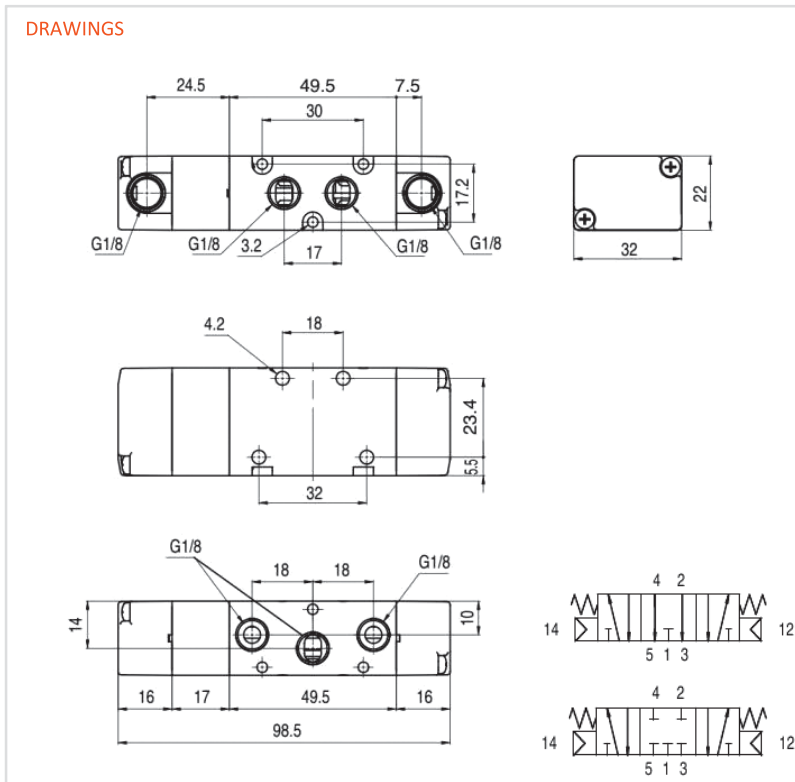
Fluid	: Compressed filtered air with or without lubrication
	If lubrication used at ones must be continuous .
Pressure range	: min.1 bar - max. 10 bar
Temperature range	: - 10 °C / + 60 °C
Version	: 5/2 - 1/8" PILOT / PILOT
Materials	
Covers	: DELRIN 500
spool	: hard aluminium anodized
Seals	: NBR
Body	: Anodized aluminium
Orifice	: 6,5 mm
Mounting	: In any position
Flow rate	: 650 NI/ min at 6 bar
Cycle per min.	: 190 cycle / min (depends upon the signal inlet and outlet)
Vacuum	: Suitable

5/3 – 1/8" DOUBLE PILOT C.C/ O.C.



- * Flow rate is 650 NI / min. at 6 bar .
- * Max working pressure is 10 bar .
- * Aluminium body.
- * Minimum working pressure is 2,5 bar
- * Spool with spring return
- * Suitable for non oily applications

DRAWINGS



ORDERING CODE for a VALVE

5/3 – 1/8" DOUBLE PILOT C.C : SMV5318HH00MKM
 5/3 – 1/8" DOUBLE PILOT O.C. : SMV5318HH00MAM

* For spare parts see page 2.36 and bases see page 2.35

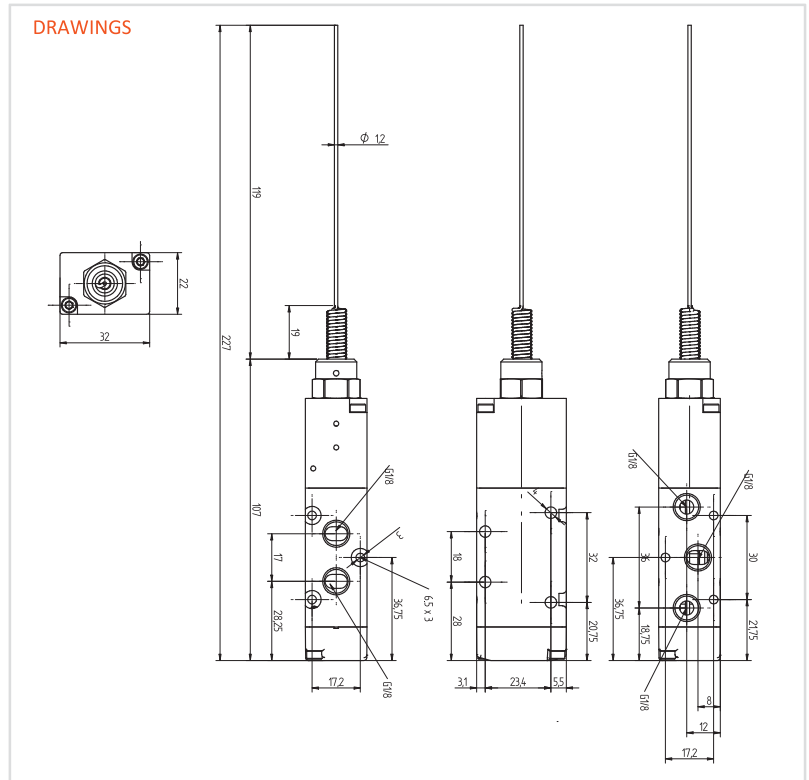
Fluid	: Compressed filtered air with or without lubrication If lubrication used at ones must be continuous .
Pressure range	: min.2,5 bar - max. 10 bar
Temperature range	: - 10 °C / + 60 °C
Version	: 5/3 - 1/8" DOUBLE PILOT C.C. / O.C.
Materials	
Covers	: DELRIN 500
spool	: hard aluminium anodized
Seals	: NBR
Body	: Anodized aluminium
Orifice	: 6,5 mm
Mounting	: In any position
Flow rate	: 650 NI/ min at 6 bar
Cycle per min.	: 150 cycle / min (from port 2 or port 4 to neutral position)
Vacuum	: Suitable

5/2 – 1/8" AERIAL INTEGRATED VALVE spring return



- * Flow rate is 650 NI / min. at 6 bar .
- * Max working pressure is 10 bar .
- * Aluminium body.
- * Pilot operated valve
- * Stainless steel aerial
- * Suitable for non oily applications

DRAWINGS



ORDERING CODES for a VALVE

5/2 – 1/8" AERIAL VALVE SPRING RETURN : SMV5218AV00M00

* For spare parts please see page 2.36

Fluid : Compressed filtered air with or without lubrication

If lubrication used at ones must be continuous .

Pressure range : min. 1,5 bar - max. 10 bar

Temperature range : - 10 °C / + 60 °C

Version : 5/2 - 1/8" AERIAL INTEGRATED VALVE spring return

Materials

Cover : DELRIN 500 (only back cover)

spool : hard aluminium anodized

Seals : NBR

Body : Anodized aluminium

Orifice : 6,5 mm

Mounting : In any position

Flow rate : 650 NI/ min at 6 bar

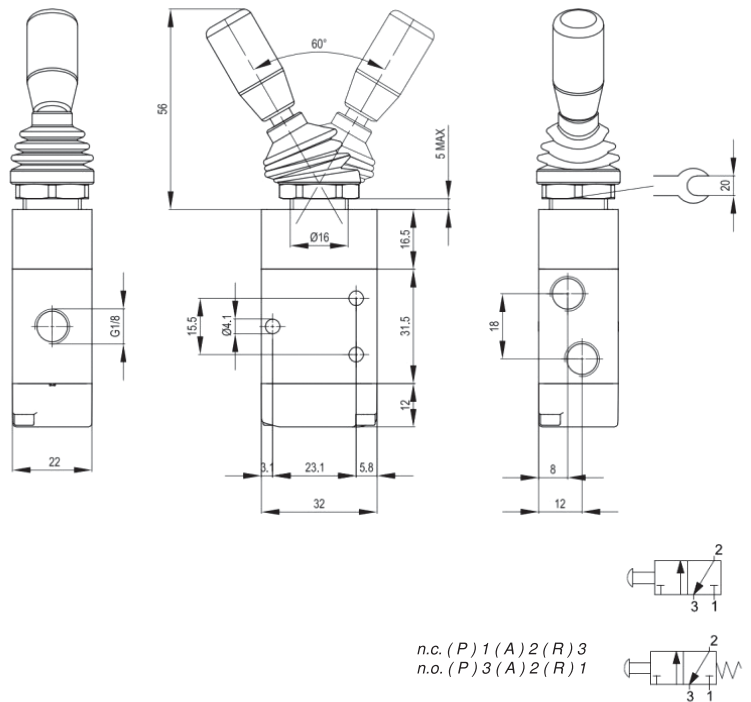
Tightening of hand stick : Adjustable

Vacuum : Suitable



- * Flow rate is 650 NI / min. at 6 bar .
- * Max working pressure is 10 bar .
- * Aluminium body.
- * Very durable hand stick
- * Can be used for vacuum
- * Suitable for non oily applications

DRAWINGS



ORDERING CODES for a VALVE

3/2 – 1/8" FRONT LEVER VALVE

: SMV3218YK00M00

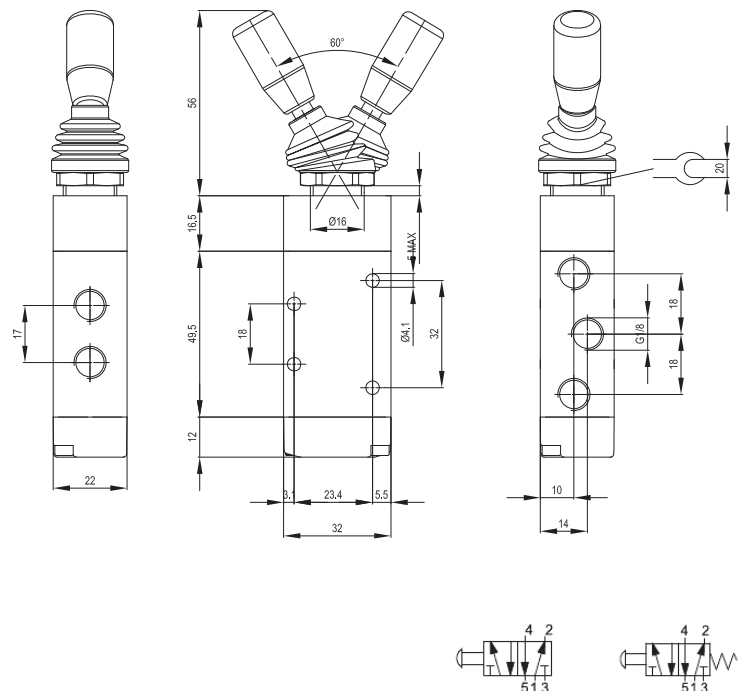
* For spare parts please see page 2.36

Fluid	: Compressed filtered air with or without lubrication
	If lubrication used at ones must be continuous .
Pressure range	: Min. 1,5 - max. 10 bar
Temperature range	: - 10 °C / + 60 °C
Version	: 3/2 - 1/8" FRONT LEVER detended
Materials	
Cover	: DELRIN 500
spool	: hard aluminium anodized
Seals	: NBR
Body	: Anodized aluminium
Orifice	: 6,5 mm
Mounting	: In any position
Flow rate	: 650 NI/ min at 6 bar
Tightening of hand stick	: Not adjustable
Vacuum	: Suitable

5/2 – 1/8" FRONT LEVER VALVE *detended*

- * Flow rate is 650 NI / min. at 6 bar .
- * Max working pressure is 10 bar .
- * Aluminium body.
- * Can be used for vacuum
- * Detended
- * Suitable for non oily applications

DRAWINGS



ORDERING CODES for a VALVE

5/2 – 1/8" FRONT LEVER VALVE DETENDED : SMV5218YK00M00
:

* For spare parts please see page 2.36

Fluid : Compressed filtered air with or without lubrication

If lubrication used at ones must be continuous .

Pressure range : max. 10 bar

Temperature range : - 10 °C / + 60 °C

Version : 5/2 - 1/8" FRONT LEVER VALVE *detended*

Materials

Cover : DELRIN 500

spool : hard aluminium anodized

Seals : NBR

Body : Anodized aluminium

Orifice : 6,5 mm

Mounting : In any position

Flow rate : 650 NI/ min at 6 bar

Tightening of hand stick : Not adjustable

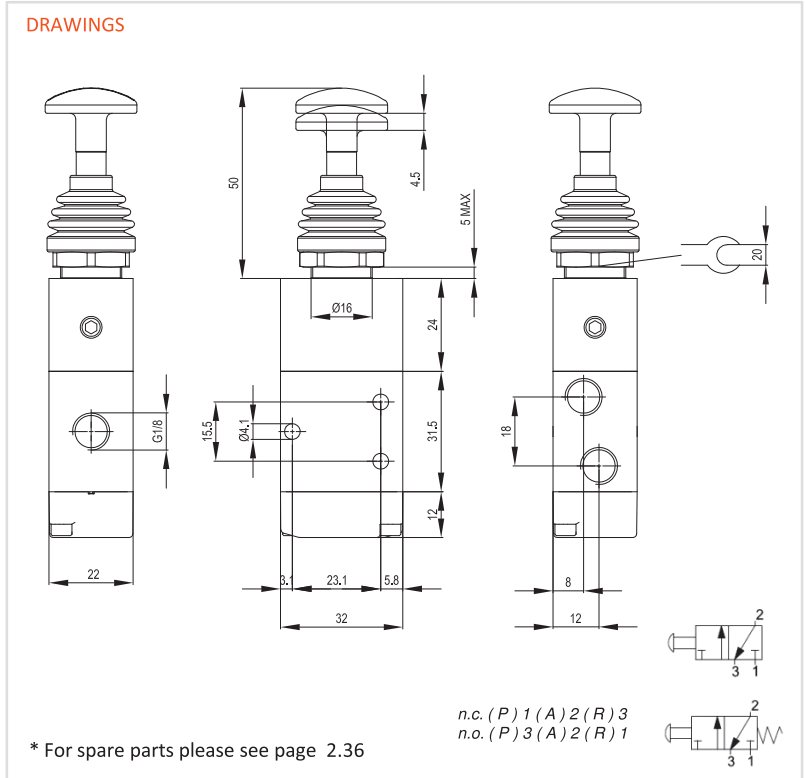
Vacuum : Suitable

3/2 – 1/8" DRAWER VALVES spring return / detendet



- * Flow rate is 650 NI / min. at 6 bar .
- * Max working pressure is 10 bar .
- * Aluminium body.
- * Very durable hand stick
- * Can be used for vacuum
- * Suitable for non oily applications

DRAWINGS



ORDERING CODES for a VALVE

- 3/2 – 1/8" DRAWER VALVE SPRING RETURN (N.C.) : SMV3218IC01MNK
- 3/2 – 1/8" DRAWER VALVE DETENDED (N.C.) : SMV3218IC00MNK
- 3/2 - 1/8" DRAWER VALVE SPRING RETURN (N.O.) : SMV3218IC01MNA
- 3/2 - 1/8" DRAWER VALVE DETENDED (N.O.) : SMV3218IC00MNA

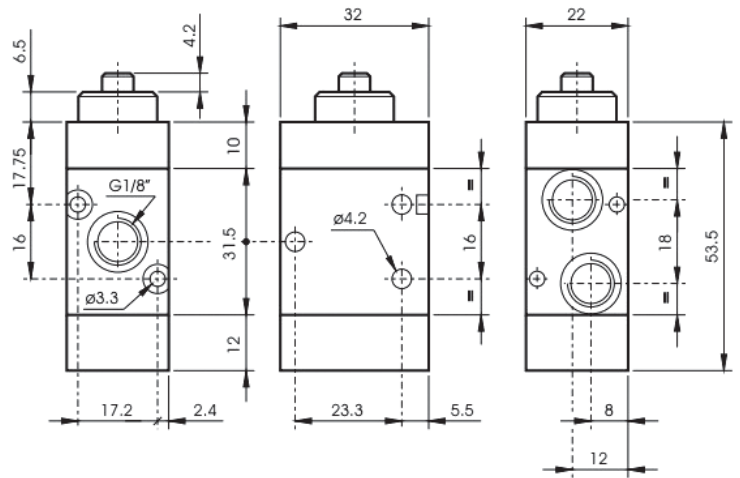
Fluid	: Compressed filtered air with or without lubrication
	If lubrication used at ones must be continuous .
Pressure range	: max. 10 bar
Temperature range	: - 10 °C / + 60 °C
Version	: 3/2 - 1/8" DRAWER VALVE spring return / detended
Materials	
Cover	: DELRIN 500
spool	: hard aluminium anodized
Seals	: NBR
Body	: Anodized aluminium
Orifice	: 6,5 mm
Mounting	: In any position
Flow rate	: 650 NI/ min at 6 bar
Tightening of hand stick	: Adjustable
Vacuum	: Suitable

3/2 – 1/8" PLUNGER VALVE (spring return)

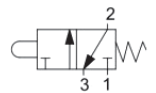


- * Flow rate is 500 NI / min. at 6 bar .
- * Max working pressure is 10 bar .
- * Aluminium body.
- * Direct activated valve
- * Steel plunger
- * Suitable for non oily applications

DRAWINGS



n.c. (P) 1 (A) 2 (R) 3
n.o. (P) 3 (A) 2 (R) 1



* For spare parts please see page 2.36

ORDERING CODES for a VALVE

3/2 – 1/8" PLUNGER VALVE (spring return)

: SMV3218PI00M00

Fluid : Compressed filtered air with or without lubrication

If lubrication used at ones must be continuous .

Pressure range : max. 10 bar

Temperature range : - 10 °C / + 60 °C

Version : 3/2 - 1/8" PLUNGER VALVE spring return

Materials

Cover : Aluminium (black painted)

Spool : hard aluminium anodized

Seals : NBR

Body : Anodized aluminium

Orifice : 5 mm

Mounting : In any position

Flow rate : 500 NI/ min at 6 bar

Actuating force : 32 N.

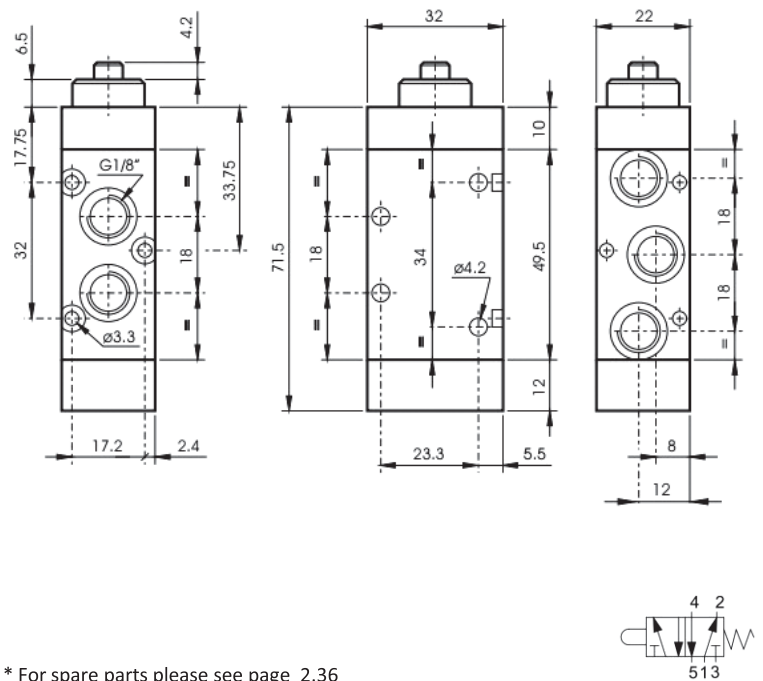
Vacuum : Suitable

5/2 – 1/8" PLUNGER VALVE (spring return)



- * Flow rate is 500 NI / min. at 6 bar .
- * Max working pressure is 10 bar .
- * Aluminium body.
- * Direct activated valve
- * Bearing actuating element
- * Suitable for non oily applications

DRAWINGS



ORDERING CODES for a VALVE

5/2 – 1/8" PLUNGER VALVE (spring return)

: SMV5218PI00M00

Fluid : Compressed filtered air with or without lubrication

If lubrication used at ones must be continuous .

Pressure range : max. 10 bar

Temperature range : - 10 °C / + 60 °C

Version : 5/2 - 1/8" PLUNGER VALVE spring return

Materials

Cover : Anodized Aluminium (black painted)

spool : hard aluminium anodized

Seals : NBR

Body : Anodized aluminium

Orifice : 5 mm

Mounting : In any position

Flow rate : 500 NI/ min at 6 bar

Bearing arm / actuating force : Formed Steel / 32 N.

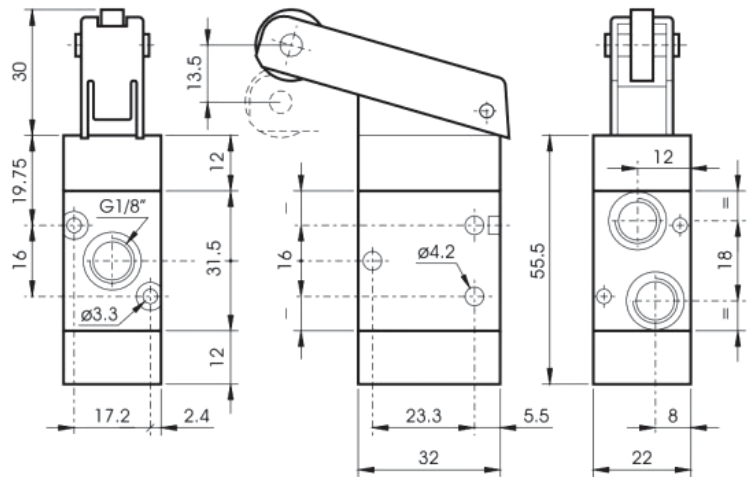
Vacuum : Suitable

3/2 – 1/8" ROLLER LEVER VALVE (spring return)

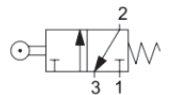


- * Flow rate is 500 NI / min. at 6 bar .
- * Max working pressure is 10 bar .
- * Aluminium body.
- * Direct activated valve
- * Bearing actuating element
- * Suitable for non oily applications

DRAWINGS



n.c. (P) 1 (A) 2 (R) 3
n.o. (P) 3 (A) 2 (R) 1



* For spare parts please see page 2.36

ORDERING CODES for a VALVE

3/2 – 1/8" ROLLER LEVER VALVE (spring return) : SMV3218MV00M00

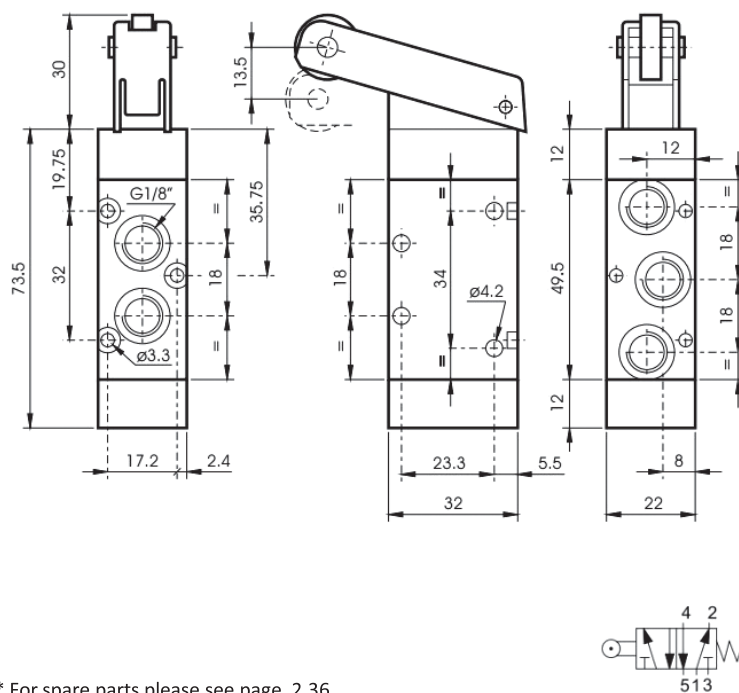
Fluid	: Compressed filtered air with or without lubrication
	If lubrication used at ones must be continuous .
Pressure range	: max. 10 bar
Temperature range	: - 10 °C / + 60 °C
Version	: 3/2 - 1/8" ROLLER LEVER VALVE spring return
Materials	
Cover	: Aluminium (black painted)
Spool	: hard aluminium anodized
Seals	: NBR
Body	: Anodized aluminium
Orifice	: 5 mm
Mounting	: In any position
Flow rate	: 500 NI/ min at 6 bar
Bearing arm / actuating force	: Formed Steel / 9,8 N.
Vacuum	: Suitable

5/2 – 1/8" ROLLER LEVER VALVE (spring return)



- * Flow rate is 500 NI / min. at 6 bar .
- * Max working pressure is 10 bar .
- * Aluminium body.
- * Direct activated valve
- * Bearing actuating element
- * Suitable for non oily applications

DRAWINGS



ORDERING CODES for a VALVE

5/2 – 1/8" ROLLER LEVER VALVE (one – way) : SMV5218MV00M00

Fluid : Compressed filtered air with or without lubrication

If lubrication used at ones must be continuous .

Pressure range : max. 10 bar

Temperature range : - 10 °C / + 60 °C

Version : 5/2 - 1/8" ROLLER LEVER VALVE spring return

Materials

Cover : Anodized Aluminium (black painted)

spool : hard aluminium anodized

Seals : NBR

Body : Anodized aluminium

Orifice : 5 mm

Mounting : In any position

Flow rate : 500 NI/ min at 6 bar

Bearing arm / actuating force : Formed Stee / 9,8 N.

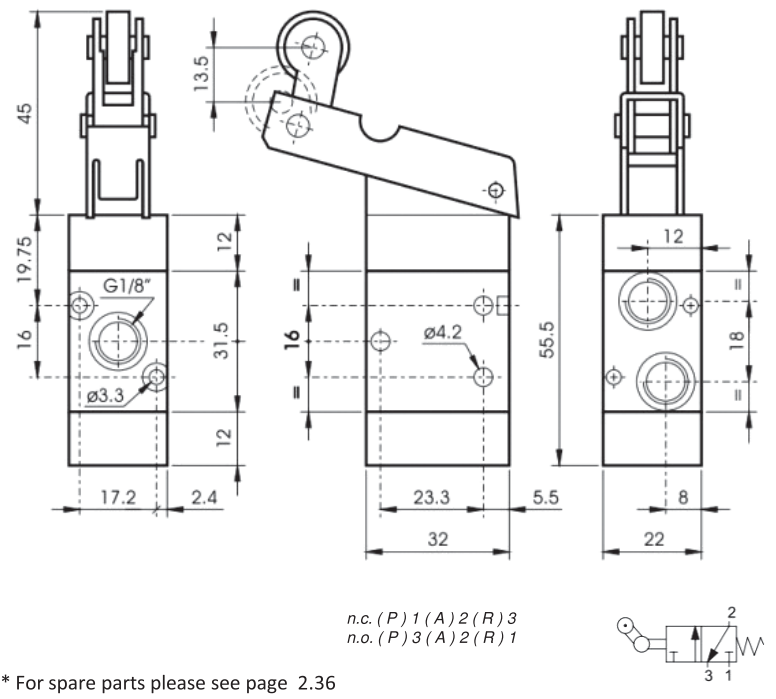
Vacuum : Suitable

3/2 – 1/8" ROLLER LEVER VALVE (one – way)



- * Flow rate is 500 NI / min. at 6 bar .
- * Max working pressure is 10 bar .
- * Aluminium body.
- * Direct activated valve
- * Bearing actuating element
- * Suitable for non oily applications

DRAWINGS



ORDERING CODES for a VALVE

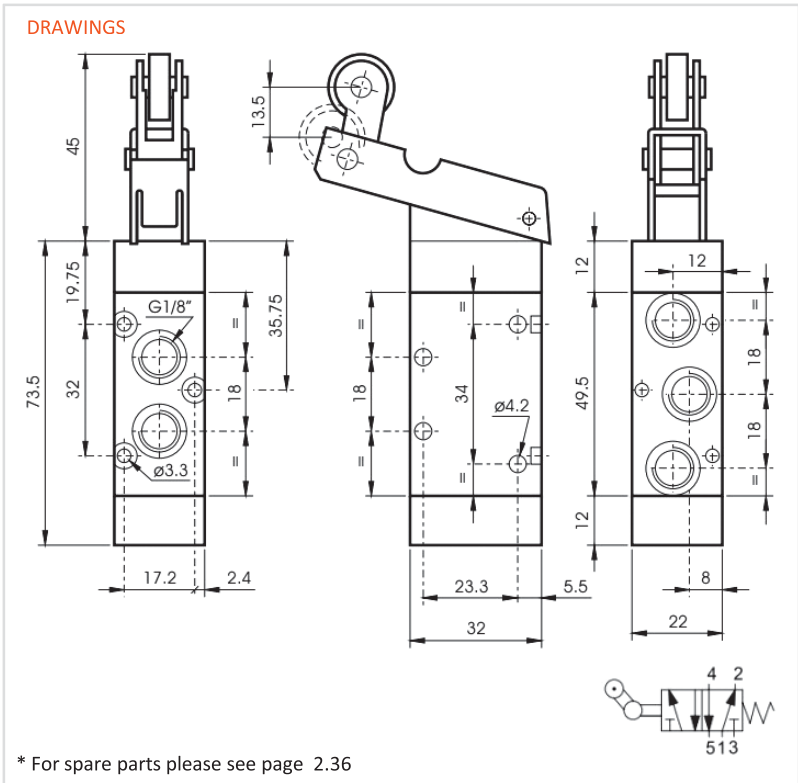
3/2 – 1/8" ROLLER LEVER VALVE (one – way) : SMV3218MM00M00

Fluid	: Compressed filtered air with or without lubrication
	If lubrication used at ones must be continuous .
Pressure range	: min 2,5 bar - max. 10 bar
Temperature range	: - 10 °C / + 60 °C
Version	: 3/2 - 1/8" ROLLER LEVER VALVE (one – way) spring return
Materials	
Cover	: Aluminium (black painted)
Spool	: hard aluminium anodized
Seals	: NBR
Body	: Anodized aluminium
Orifice	: 5 mm
Mounting	: In any position
Flow rate	: 500 NI/ min at 6 bar
Bearing arm / actuating force	: Formed Steel / 9,8 N.
Vacuum	: Suitable



5/2 – 1/8" ROLLER LEVER VALVE (one – way)

- * Flow rate is 500 NI / min. at 6 bar .
- * Max working pressure is 10 bar .
- * Aluminium body.
- * Direct activated valve
- * Bearing actuating element
- * Suitable for non oily applications



ORDERING CODES for a VALVE
 5/2 – 1/8" ROLLER LEVER VALVE (one – way) : SMV5218MM00M00

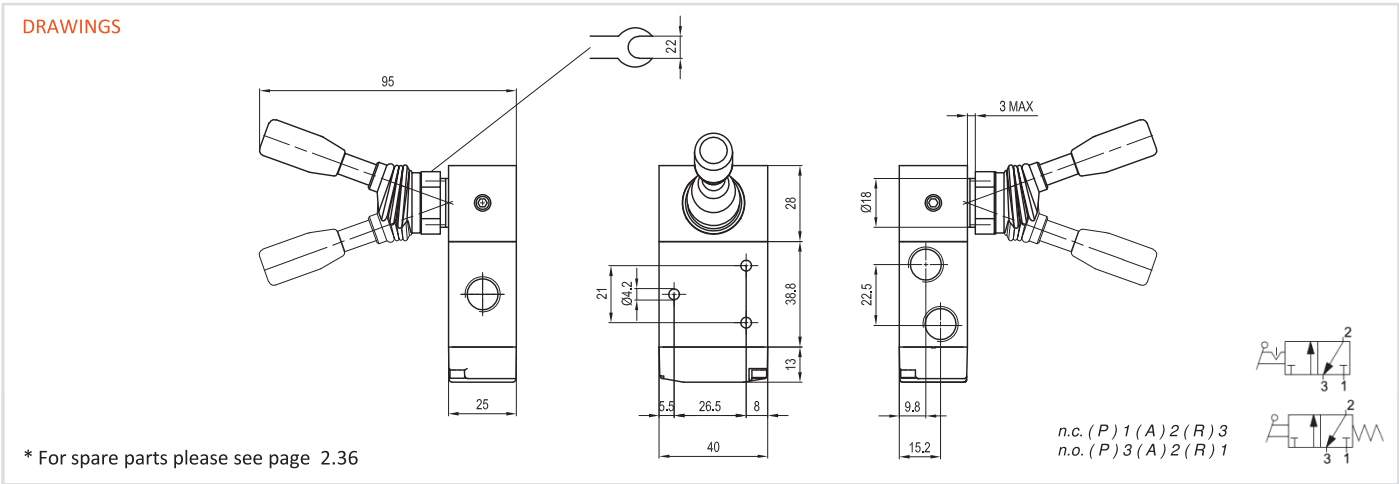
Fluid	: Compressed filtered air with or without lubrication
	If lubrication used at ones must be continuous .
Pressure range	: min 2,5 - max. 10 bar
Temperature range	: - 10 °C / + 60 °C
Version	: 5/2 - 1/8" ROLLER LEVER VALVE one – way , spring return
Materials	
Cover	: Anodized Aluminium (black painted)
spool	: hard aluminium anodized
Seals	: NBR
Body	: Anodized aluminium
Orifice	: 5 mm
Mounting	: In any position
Flow rate	: 500 NI/ min at 6 bar
Bearing arm / actuating force	: Formed Steel / 9,8 N.
Vacuum	: Suitable



- * Flow rate is 650 NI / min. at 6 bar .
- * Max working pressure is 10 bar .
- * Aluminium body.
- * Suitable for vacuum
- * Durable hand stick
- * Suitable for non oily applications

ORDERING CODES for a VALVE

3/2 – 1/8" HAND OPERATED SPRING RETURN (N.C.) : SMV3218KKKYMNK
 3/2 – 1/8" HAND OPERATED DETENDED (N.C.) : SMV3218KK00MNK
 3/2 – 1/8" HAND OPERATED SPRING RETURN (N.O.) : SMV3218KKKYMNA
 3/2 – 1/8" HAND OPERATED DETENDED (N.O.) : SMV3218KK00MNA



Fluid	: Compressed filtered air with or without lubrication
	If lubrication used at ones must be continuous .
Pressure range	: max. 10 bar
Temperature range	: - 10 °C / + 60 °C
Version	: 3/2 - 1/8" HAND OPERATED SPRING RETURN / DETENDED
Materials	
Covers	: DELRIN 500 (only back cover)
spool	: hard aluminium anodized
Seals	: NBR
Body	: Anodized aluminium
Orifice	: 6,5 mm
Mounting	: In any position
Flow rate	: 650 NI/ min at 6 bar
Tightening of hand stick	: Adjustable
Vacuum	: Suitable

5/2 – 1/8" HAND OPERATED SPRING RETURN / DETENDED

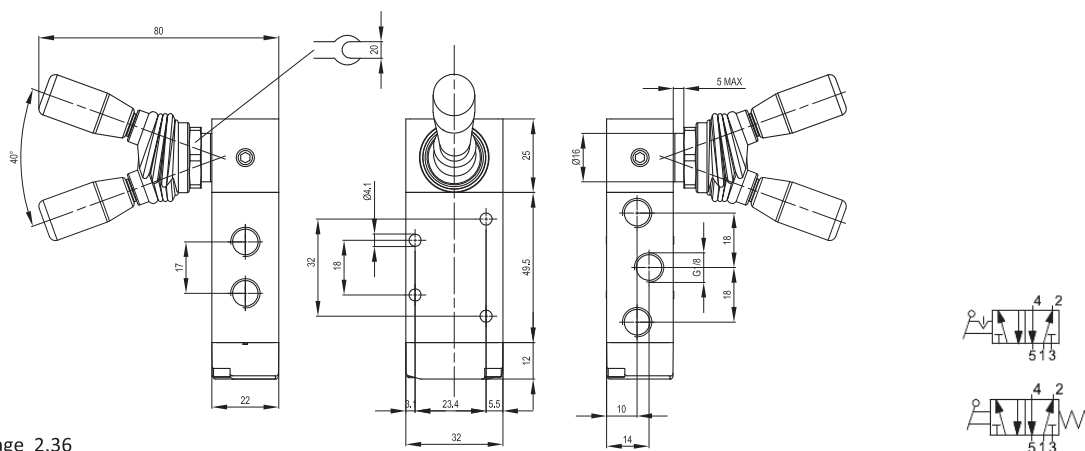


- * Flow rate is 650 NI / min. at 6 bar .
- * Max working pressure is 10 bar .
- * Aluminium body.
- * Suitable for vacuum
- * Durable hand stick
- * Suitable for non oily applications

ORDERING CODES for a VALVE

5/2 – 1/8" HAND OPERATED SPRING RETURN : SMV5218KKKYM00
 5/2 – 1/8" HAND OPERATED DETENDED : SMV5218KK00M00

DRAWINGS



* For spare parts please see page 2.36

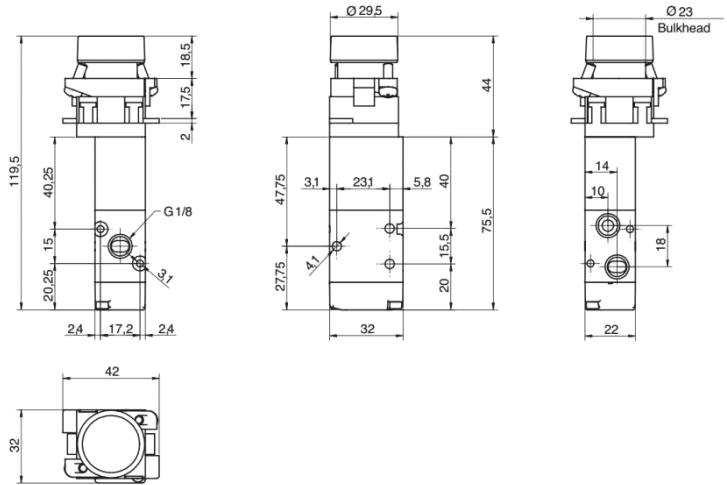
Fluid	: Compressed filtered air with or without lubrication
	If lubrication used at ones must be continuous .
Pressure range	: max. 10 bar
Temperature range	: - 10 °C / + 60 °C
Version	: 5/2 - 1/8" HAND OPERATED SPRING RETURN / DETENDED
Materials	
Covers	: DELRIN 500 (only back cover)
spool	: hard aluminium anodized
Seals	: NBR
Body	: Anodized aluminium
Orifice	: 6,5 mm
Mounting	: In any position
Flow rate	: 650 NI/ min at 6 bar
Tightening of hand stick	: Adjustable
Vacuum	: Suitable

3/2 – 1/8" PUSH BUTTON VALVE (spring return)



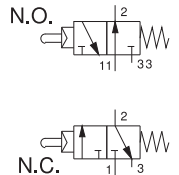
- * Flow rate is 650 NI / min. at 6 bar .
- * Max working pressure is 10 bar .
- * Aluminium body.
- * Push button , emergency stop
- * 2 pos . / 3 pos. lever
- * Suitable for non oily applications

DRAWINGS



*For creating a push button ,
Valf + adaptor + button must be ordered SEPERATELY*

* For spare parts please see page 2.36



ORDERING CODES for a VALVE

- 3/2 – 1/8" PUSH BUTTON VALVE N.C. : SMV3218BB00MNC
- 3/2 – 1/8 " PUSH BUTTON VALVE N.O. : SMV3218BB00MNA

For ordering a button and an adaptor please see page 34

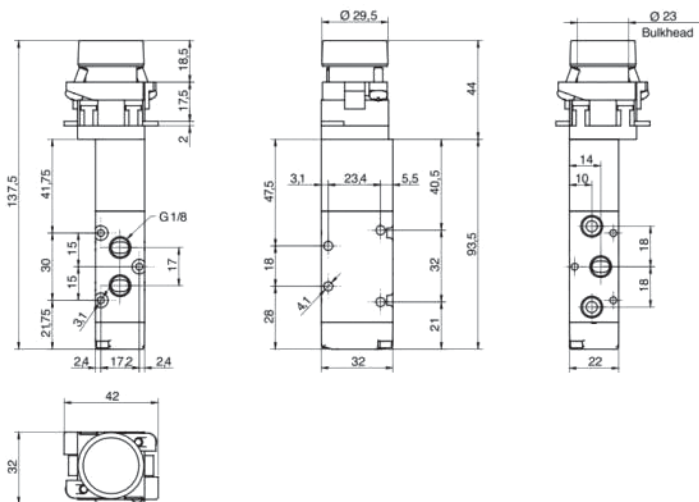
Fluid	: Compressed filtered air with or without lubrication
	If lubrication used at ones must be continious .
Pressure range	: max. 10 bar
Temperature range	: - 10 °C / + 60 °C
Version	: 3/2 - 1/8" PUSH BUTTON VALVE N.C. / N.O. spring return
Materials	
Cover	: Delrin 500
Spool	: hard aluminium anodized
Seals	: NBR
Body	: Anodized aluminium
Orifice	: 6,5 mm
Mounting	: In any position
Flow rate	: 650 NI/ min at 6 bar
Suitable buttons	: Mushroom button , push button , emergency stop , 2 / 3 pos. Lever control
Vacuum	: Not Suitable

5/2 – 1/8" PUSH BUTTON VALVE (spring return)



- * Flow rate is 650 NI / min. at 6 bar .
- * Max working pressure is 10 bar .
- * Aluminium body.
- * Push button , emergency stop
- * 2 pos . / 3 pos. lever
- * Suitable for non oily applications

DRAWINGS



*For creating a push button ,
Valf + adaptor + button must be ordered SEPERATELY*

* For spare parts please see page 2.36

ORDERING CODES for a VALVE

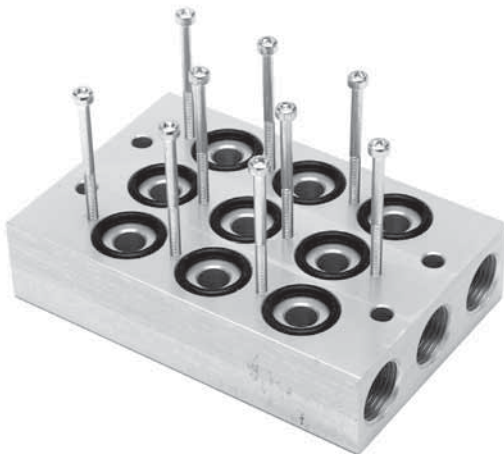
5/2 – 1/8" PUSH BUTTON VALVE N.C. : SMV5218BB00M00

For ordering a button and an adaptor please see page 34

Fluid	: Compressed filtered air with or without lubrication
	If lubrication used at ones must be continious .
Pressure range	: max. 10 bar
Temperature range	: - 10 °C / + 60 °C
Version	: 5/2 - 1/8" PUSH BUTTON VALVE spring return
Materials	
Cover	: Delrin 500
Spool	: hard aluminium anodized
Seals	: NBR
Body	: Anodized aluminium
Orifice	: 6,5 mm
Mounting	: In any position
Flow rate	: 650 NI/ min at 6 bar
Suitable buttons	: Mushroom button , push button , emergency stop , 2 / 3 pos. Lever control
Vacuum	: Not Suitable

		<p>PUSH BUTTON – SPRING RETURN (green – red – black – white)</p>	
		<p>MUSHROOM BUTTON – SPRING RETURN (red)</p>	
		<p>EMERGENCY BUTTON – DETENDED (red)</p>	
		<p>HAND LEVER Cod. SMVBU000002KKY 2 Position spring return (0 .. 1) SMVBU000002KKK 2 position detended (0 – 1) SMVBU000003KKY 3 Position spring return (1 ... 0 ... 2) SMVBU000003KKK 3 Position detended(1 – 0 – 2)</p>	
		<p>BUTTON – VALVE ADAPTOR</p>	
		<p>Cod. SMVBU0000ADAP</p>	

BASE

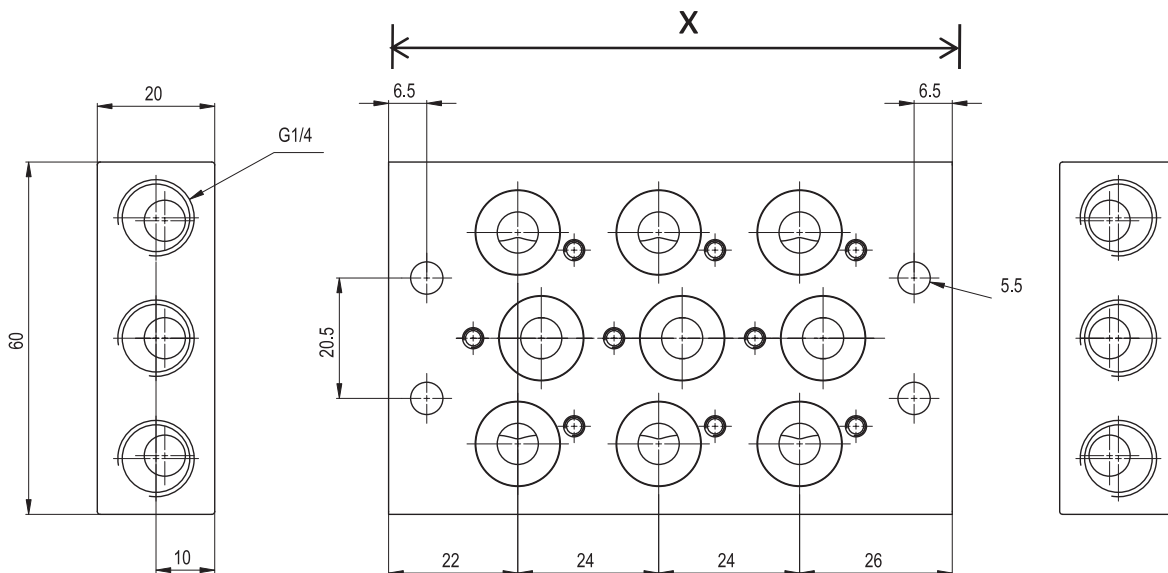


ALL THE BASES SUPPLIED WITH O – RINGS AND SCREWS

ORDERING CODES for BASES & PLANKING PLATE

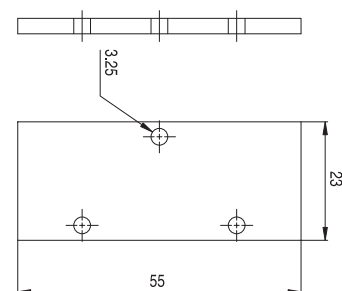
2 POSITION SMV BASE	:	SMVPL18000002
3 POSITION SMV BASE	:	SMVPL18000003
4 POSITION SMV BASE	:	SMVPL18000004
5 POSITION SMV BASE	:	SMVPL18000005
6 POSITION SMV BASE	:	SMVPL18000006
7 POSITION SMV BASE	:	SMVPL18000007
8 POSITION SMV BASE	:	SMVPL18000008
9 POSITION SMV BASE	:	SMVPL18000009
10 POSITION SMV BASE	:	SMVPL18000010
BLANKING PLATE	:	SMVPL1800000KP

DRAWINGS



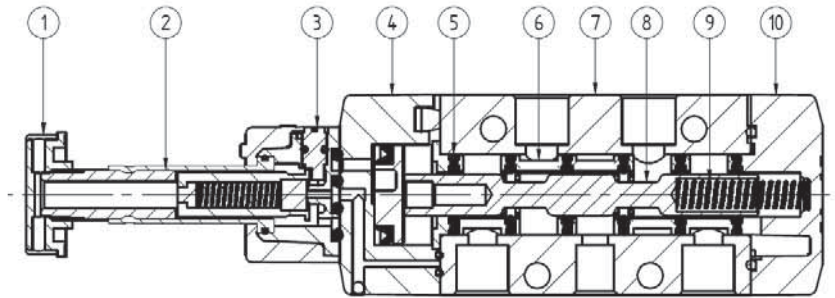
X								
POS. 2	POS 3.	POS 4.	POS 5.	POS 6.	POS 7.	POS 8.	POS 9.	POS 10.
72 mm	96 mm	120 mm	144 mm	168 mm	192 mm	216 mm	240 mm	264 mm

BLANKING PLATE



DRAWING

INTERNAL PARTS OF SEMAKMATIC SERIE SOLENOID VALVE



1	Nut	Plastic material
2	Armature	Brass - Stainless steel specially
3	Manual override	Nickel-plated brass
4	Top plate	Delrin 500
5	Seals	Hydrogenated Nitrile Butadiene Rubber (HNBR)
6	Distancers	Fortron 1140 L4
7	Body	Aluminium anodized
8	Spool	Hard aluminium anodized
9	Spring	Stainless steel
10	Bottom plate	Delrin 500
	Other seals	Hydrogenated Nitrile Butadiene Rubber (HNBR)

SPARE PARTS of THE VALVE (O – RING kit)



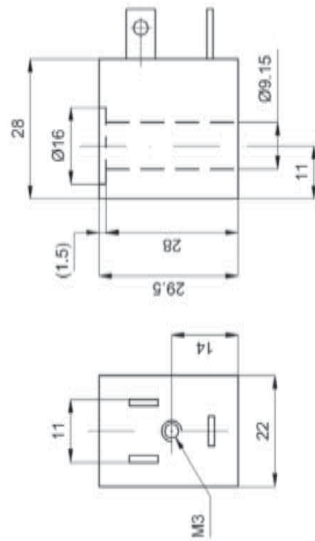
ORDERING Cod. SMV1801

SPARE PARTS of THE VALVE (BRAS TUBE & NUCLEUS 9 mm)



ORDERING Cod. SMV1802 (3/2 n.c. 10 bar NBR)

COILS

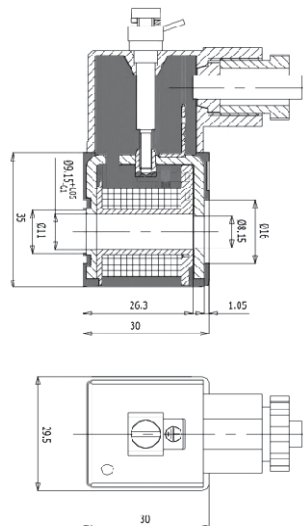


	For DC	For AC
Voltage tolerance	+ / - 10 %	+ / - 10 %
Electrical Consumption	3W	4.2 VA
Frequenzy	-	50 / 60 Hz.
Voltages	24	24 - 110 - 220
Duty cycle	% 100 ED	
Temperature range	- 15 °C / + 50 °C	
Coil size	22 mm wide / suitable for 9 mm brass tube	
Terminal / Class	AMP 6,3 x 0,8 / F Class	

ORDERING CODES

SMB220900024DC	for 24 V DC
SMB220900024AC	for 24 V AC
SMB220900220AC	for 220 V AC
SMB220900110AC	for 110 V AC

EXPROOF COILS

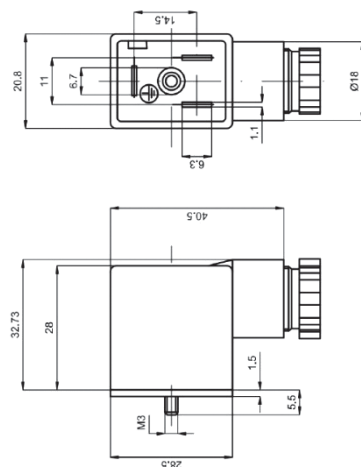


	For DC	For AC
Voltage tolerance	+ / - 10 %	
Electrical Consumption	3W	3.2 VA
Frequenzy	-	50 / 60 Hz.
Voltage	24	220
Duty cycle	% 100 ED	
Temperature range	- 15 °C / + 50 °C	
Coil size	30 mm wide / suitable for 9 mm brass tube	
Conformity	94 / 9 / EC (group 2)	
Cable length	3 Meter	
Certificate	ATEX II2 GD Eexm II T5	

ORDERING CODES

SMB3009EX024DC	for 24 V DC
SMB3009EX022AC	for 220 V AC

SOCKETS

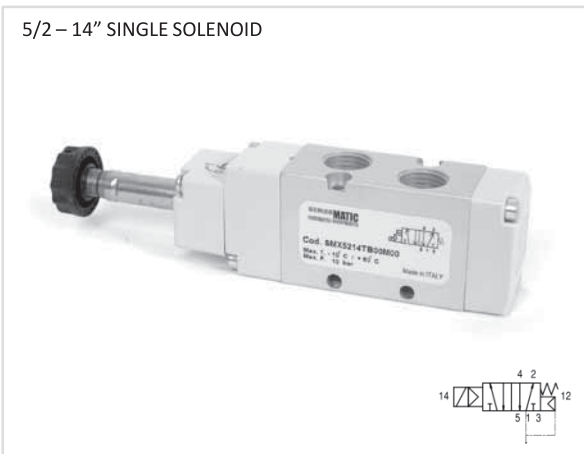


	Standart	24 v /220 v ac
Color	Black	transparent
Led color	-	Red
Protection	-	only with 24 v
Temperature range	- 15 °C / + 50 °C	
Socket size	22 mm wide	
Terminal	AMP 6,3 x 0,8	

ORDERING CODES

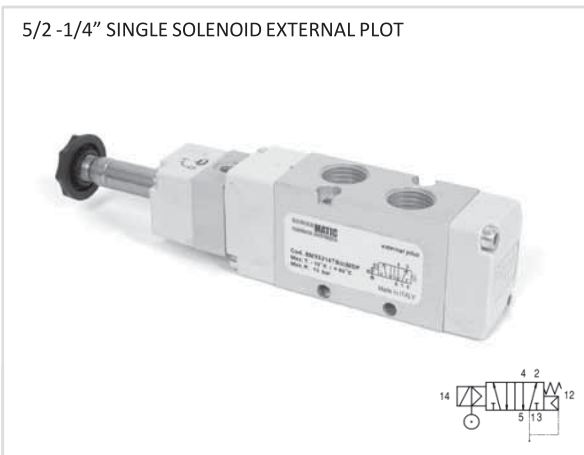
SMBS22LED220AC	for 22 mm 220 v ac led
SMBS22LED24V00	for 22 mm 24 v ac dc led
SMBS2200000000	for 22 mm standart socket

5/2 - 1/4" SINGLE SOLENOID



- * Flow rate is 600 NI / min. at 6 bar .
- * Max working pressure is 10 bar .
- * Aluminium body – Technopolimer end caps .
- * 9 MM brass tube and nucleus.
- * 180 cycle / min .
- * 80 million cycle life time (under suitable conditions)
- * Suitable non oily applications (under suitable conditions)
- * Suitable for vacuum with external plot

5/2 - 1/4" SINGLE SOLENOID EXTERNAL PLOT

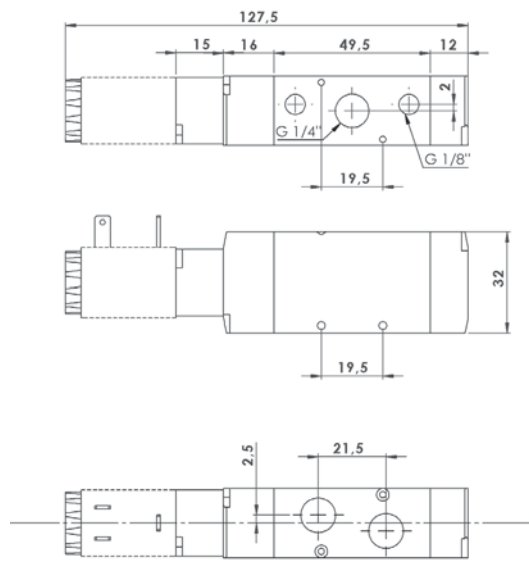


ORDERING CODES for VALVES

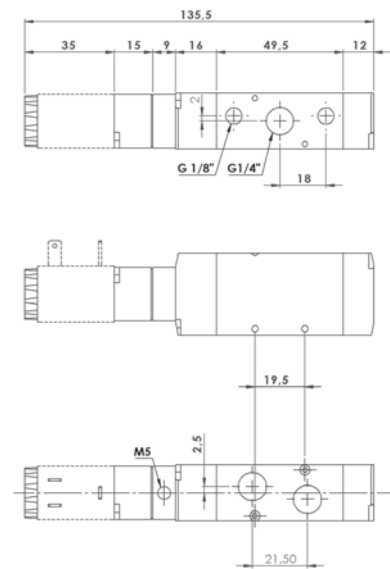
- 5/2 - 1/4" SINGLE SOLENOID : SMX5214TB00M00
- 5/2 - 1/4" SINGLE SOLENOID (external plot) : SMX5214TB00M00

Fluid	:	Compressed filtered air with or without lubrication
		If lubrication used at ones must be continious .
Pressure range	:	min.1 bar - max. 10 bar
Temperature range	:	- 10 °C / + 50 °C
Version	:	5/2 - 1/4" single solenoid
Materials		
	Covers	: delrin
	spool	: hard aluminium anodized
	Seals	: hyrojenated NBR
	Spring	: stainless steel
External plot	:	Suitabel for vacuum
Extenal plot port	:	M5
Threads	:	1 - 2 - 4 1/4" (pressure inlet and outlet)
		3 - 5 ... 1/8" (exhaust)
Specialty	:	Spring return with pressured air support

Drawings



5/2 - 1/4" single solenoid



5/2 - 1/4" single solenoid with external plot

ACCESSORIES



BASES & BLANKING PLATE
(page 2.44)



COILS & SOCKETS
(page 2.45)



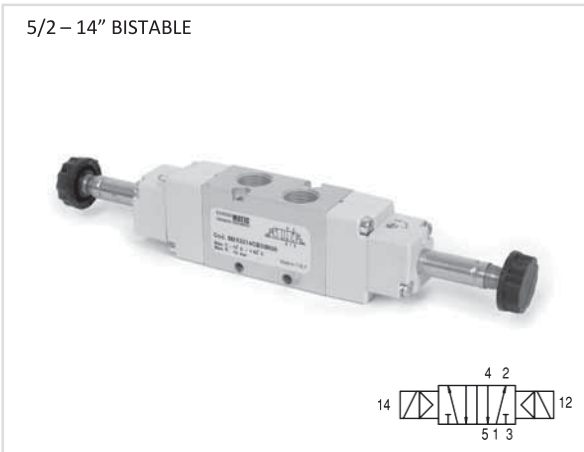
SPARE PARTS



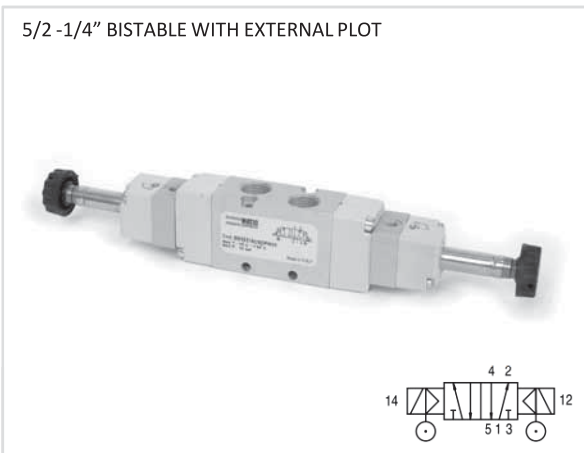
9 mm BRASS TUBE & NUCLEUS
Cod. SMV1802



O- RING KIT
Cod. SMV1801



- * Flow rate is 600 NI / min. at 6 bar .
- * Max working pressure is 10 bar .
- * Aluminium body – Technopolimer end caps .
- * 9 MM brass tube and nucleus.
- * 200 cycle / min .
- * 80 million cycle life time (under suitable conditions)
- * Suitable non oily applications (under suitable conditions)
- * Suitable for vacuum with external plot



ORDERING CODES for VALVES

- 5/2 - 1/4" BISTABLE : SMX5214CB00M00
 5/2 - 1/4" DOUBLE SOLENOID C.C. (external plot) : SMX5214CBDPM00

Fluid : Compressed filtered air with or without lubrication

If lubrication used at ones must be continuous .

Pressure range : min.1 bar - max. 10 bar

Temperature range : - 10 °C / + 50 °C

Version : 5/2 - 1/4" bistable

Materials

Covers : delrin

spool : hard aluminium anodized

Seals : hydrojenated NBR

manuel override : nickel plated brass

armature : brass - stainless steel speciality

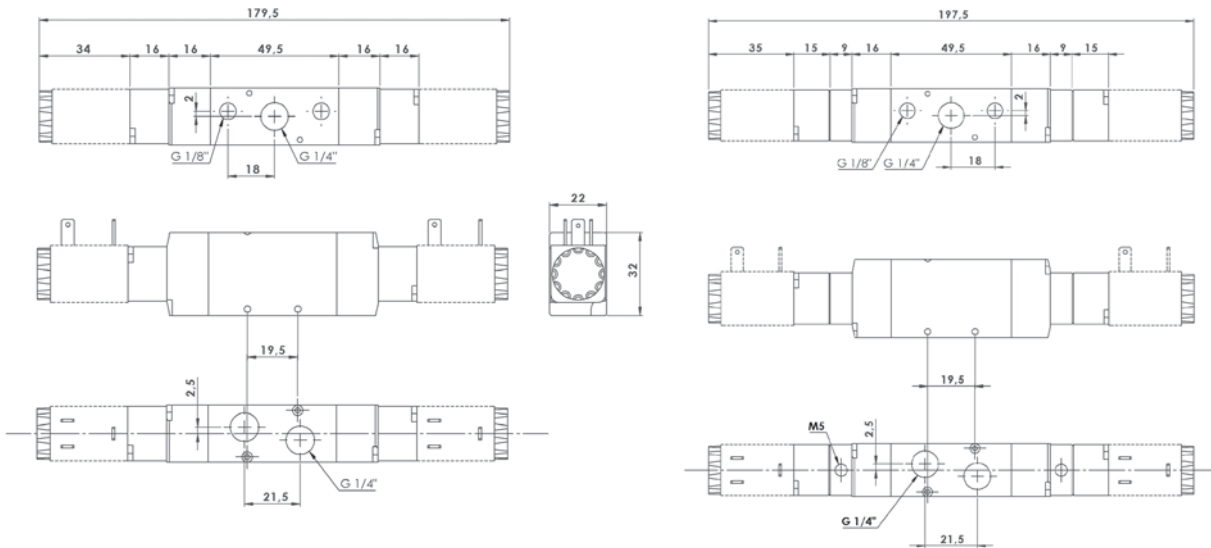
External plot : Suitabel for vacuum

Extenal plot port : M5

Threads : 1 - 2 - 4 1/4" (pressure inlet and outlet)

3 - 5 ... 1/8" (exhaust)

Drawings



5/2 – 1/4" bistable

5/2 – 1/4" bistable with external plot

ACCESSORIES



BASES & BLANKING PLATE
(page 2.44)

COILS & SOCKETS
(page 2.45)

SPARE PARTS

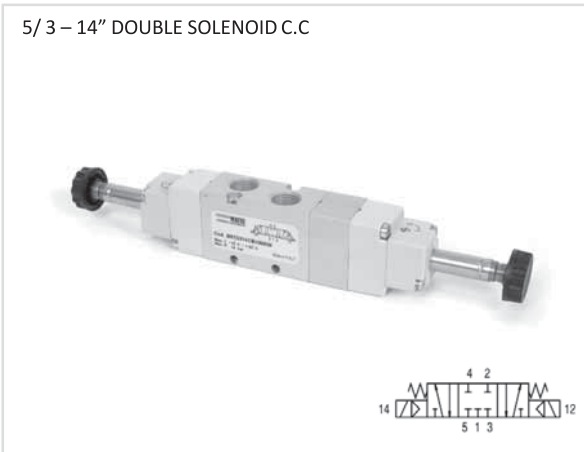


9 mm BRASS TUBE & NUCLEUS
Cod. SMV1802



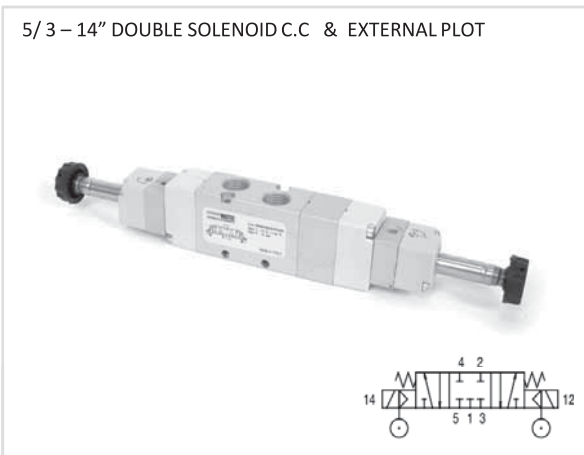
O- RING KIT
Cod. SMV1801

5/3 - 1/4" DOUBLE SOLENOID C.C



- * Flow rate is 500 NI / min. at 6 bar .
- * Max working pressure is 10 bar .
- * Aluminium body – Technopolimer end caps .
- * 9 MM brass tube and nucleus.
- * 150 cycle / min .
- * 80 million cycle life time (under suitable conditions)
- * Suitable non oily applications (under suitable conditions)
- * Suitable for vacuum with external plot

5/3 - 1/4" DOUBLE SOLENOID C.C & EXTERNAL PLOT



ORDERING CODES for VALVES

- 5/3 - 1/4" DOUBLE SOLENOID C.C. : SMX5314CB00MKM
 5/3 - 1/4" DOUBLE SOLENOID C.C. (external plot) : SMX5314CBDPMKM

Fluid : Compressed filtered air with or without lubrication

If lubrication used at ones must be continuous .

Pressure range : min.1,5 bar - max. 10 bar

Temperature range : - 10 °C / + 50 °C

Version : 5/3 - 1/4" double solenoid closed center

Materials

Covers : delrin

spool : hard aluminium anodized

Seals : hyrojenated NBR

manuel override : nickel plated brass

armature : brass - stainless steel speciality

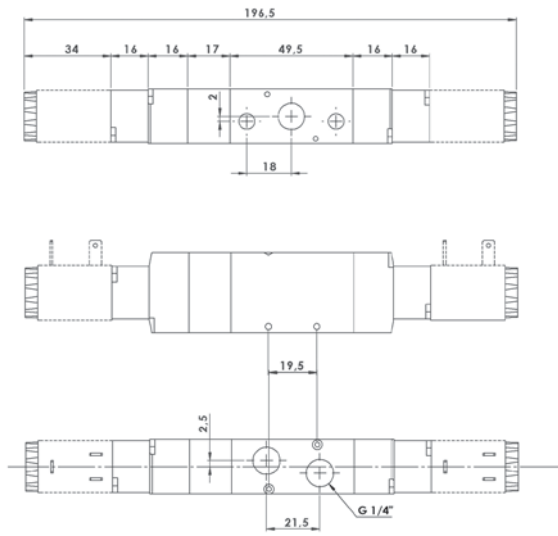
External plot : Suitabel for vacuum

Extenal plot port : M5

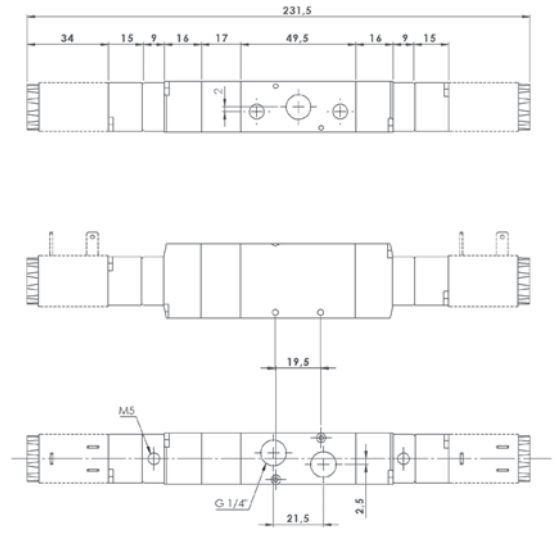
Threads : 1 - 2 - 4 1/4" (pressure inlet and outlet)

3 - 5 ... 1/8" (exhaust)

Drawings



5/3 - 1/4" Double solenoid C.C.



5/3 - 1/4" Double solenoid C.C. with external plot

ACCESSORIES



BASES & BLANKING PLATE
(page 2.44)



COILS & SOCKETS
(page 2.45)

SPARE PARTS



9 mm BRASS TUBE & NUCLEUS
Cod. SMV1802



O- RING KIT
Cod. SMV1801

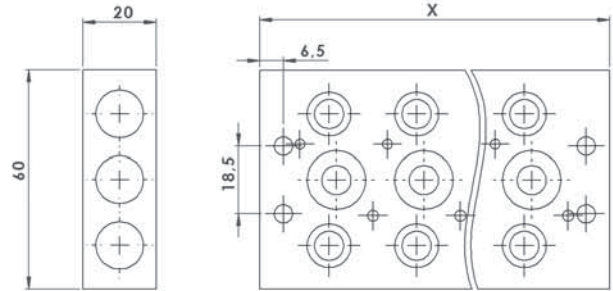
BASE



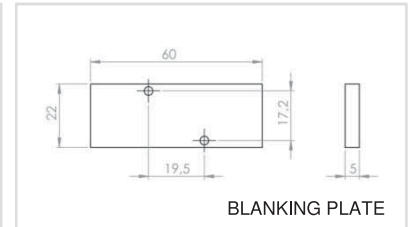
ORDERING CODES for BASES & PLANKING PLATE

2 POSITION SMX BASE	:	SMXPL14000002
3 POSITION SMX BASE	:	SMXPL14000003
4 POSITION SMX BASE	:	SMXPL14000004
5 POSITION SMX BASE	:	SMXPL14000005
6 POSITION SMX BASE	:	SMXPL14000006
7 POSITION SMX BASE	:	SMXPL14000007
8 POSITION SMX BASE	:	SMXPL14000008
9 POSITION SMX BASE	:	SMXPL14000009
10 POSITION SMX BASE	:	SMXPL14000010
BLANKING PLATE	:	SMXPL140000KP

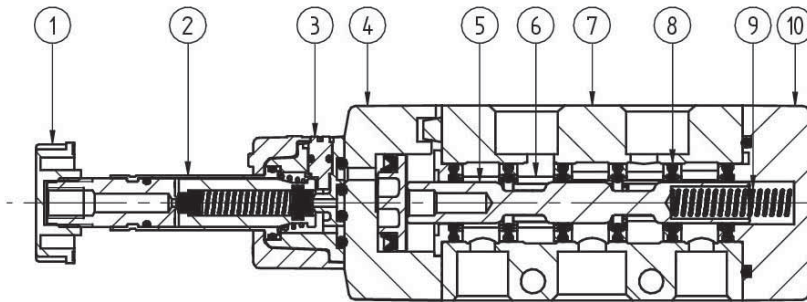
BASE



X								
POS. 2	POS. 3	POS. 4	POS. 5	POS. 6	POS. 7	POS. 8	POS. 9	POS. 10
72 mm	96 mm	120 mm	144 mm	168 mm	197 mm	216 mm	238 mm	260 mm

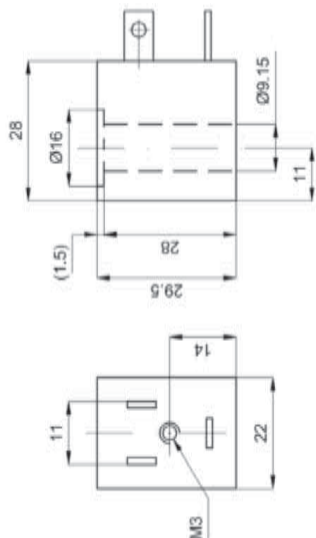


INTERNAL PARTS OF SMX SERIE SOLENOID VALVE



1	Nut	Plastic material
2	Armature	Brass - Stainless steel specially
3	Manual override	Nickel-plated brass
4	Head	Delrin 500
5	Spool	Hard aluminium anodized
6	Distancers	Fortron 1140 L4
7	Body	Aluminium anodized
8	Seals	Hydrogenated Nitrile Butadiene Rubber (HNBR)
9	Spring	Stainless steel
10	Bottom plate	Delrin 500

COILS

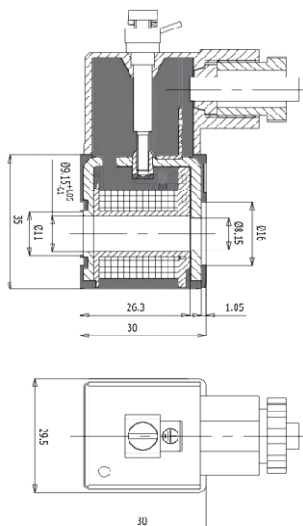


	For DC	For AC
Voltage tolerance	+ / - 10 %	+ / - 10 %
Electrical Consumption	3W	4.2 VA
Frequenzy	-	50 / 60 Hz.
Voltages	24	24 - 110 - 220
Duty cycle	% 100 ED	
Temperature range	- 15 °C / + 50 °C	
Coil size	22 mm wide / suitable for 9 mm brass tube	
Terminal / Class	AMP 6,3 x 0,8 / F Class	

ORDERING CODES

SMB220900024DC	for 24 V DC
SMB220900024AC	for 24 V AC
SMB220900220AC	for 220 V AC
SMB220900110AC	for 110 V AC

EXPROOF COILS

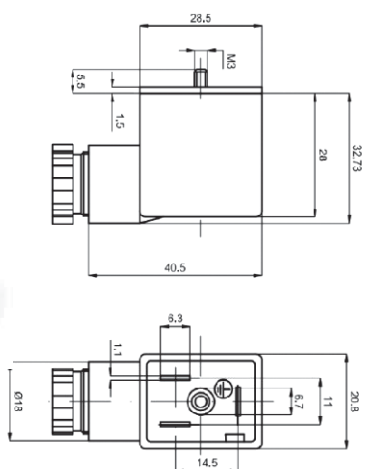


	For DC	For AC
Voltage tolerance	+ / - 10 %	
Electrical Consumption	3W	3.2 VA
Frequenzy	-	50 / 60 Hz.
Voltage	24	220
Duty cycle	% 100 ED	
Temperature range	- 15 °C / + 50 °C	
Coil size	30 mm wide / suitable for 9 mm brass tube	
Conformity	94 / 9 / EC (group 2)	
Cable length	3 Meter	
Certificate	ATEX II2 GD Eexm II T5	

ORDERING CODES

SMB3009EX024DC	for 24 V DC
SMB3009EX022AC	for 220 V AC

SOCKETS



	Standart	24 v /220 v ac
Color	Black	transparent
Led color	-	Red
Protection	-	only with 24 v
Temperature range	- 15 °C / + 50 °C	
Socket size	22 mm wide	
Terminal	AMP 6,3 x 0,8	

ORDERING CODES

SMBS22LED220AC	for 22 mm 220 v ac led
SMBS22LED24V00	for 22 mm 24 v ac dc led
SMBS2200000000	for 22 mm standart socket

3/2 – 1/4" SINGLE SOLENOID N.C. / N.O.



- * Flow rate is 1100 NI / min. at 6 bar .
- * Max working pressure is 10 bar .
- * Aluminium body.
- * Voltages are 24 v dc – 24 v ac – 110 v ac – 220 v ac
- * Spool with spring return air pilot supported
- * Manuel override detendet
- * Min working pressure is 1,5 bar
- * Suitable for non oily applications.

3/2 – 1/4" SINGLE SOLENOID / external pilot



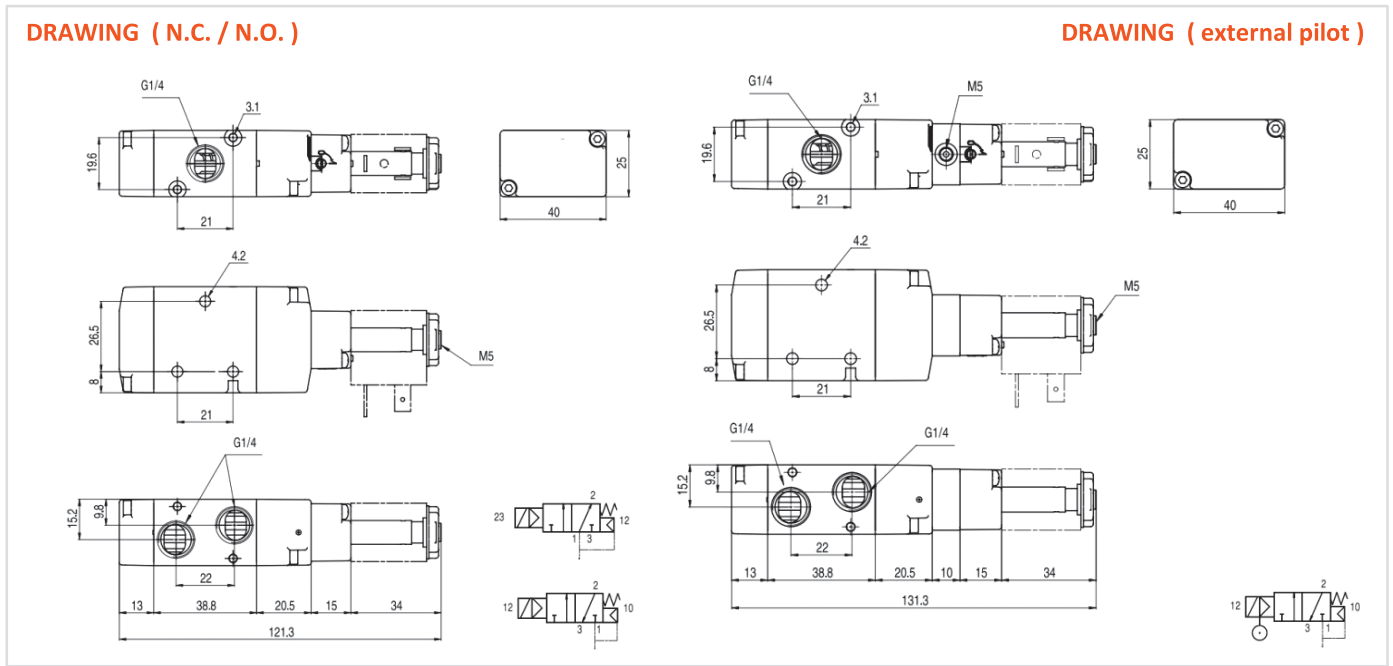
ORDERING CODES for a VALVE

- | | | |
|--|---|-----------------|
| 3/2 – 1/4" SINGLE SOLENOID n.c. | : | SMV3214TB00MNK |
| 3/2 – 1/4" SINGLE SOLENOID n.c. external pilot | : | SMV3214TB00PMNK |
| 3/2 – 1/4" SINGLE SOLENOID n.o. | : | SMV3214TB00MNA |
| 3/2 – 1/4" SINGLE SOLENOID n.o. external pilot | : | SMV3214TB00PMNA |

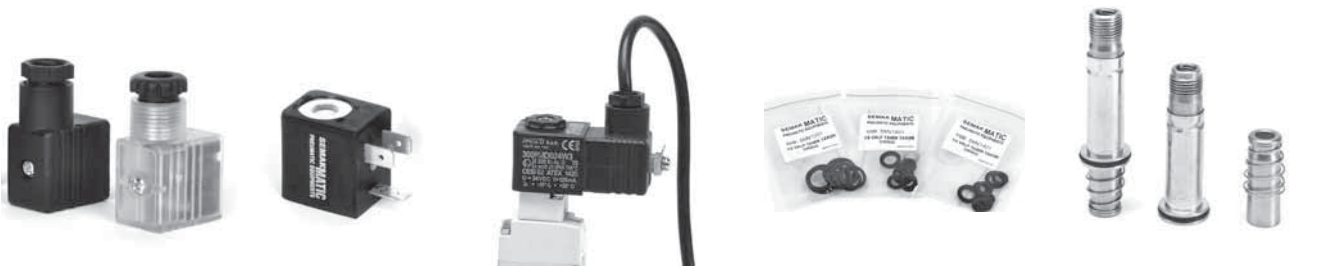
Fluid	:	Compressed filtered air with or without lubrication
		If lubrication used at ones must be continious .
Pressure range	:	min.1,5 bar - max. 10 bar
Temperature range	:	- 10 °C / + 60 °C
Version	:	3/2 - 1/4" N.C. / 3/2 – 1/4" N.O. / 3/2 – 1/4" external pilot
Materials		
	Covers	: DELRIN 500
	spool	: hard aluminium anodized
	Seals	: NBR
	Body	: Anodized aluminium
Orifice	:	8 mm
Mounting	:	In any position
Flow rate	:	1.100 NI/ min at 6 bar
Cycle per min.	:	180 cycle / min
Vacuum	:	Suitable with external pilot version

DRAWING (N.C. / N.O.)

DRAWING (external pilot)



ACCESSORIES & SPARE PARTS



COILS & SOCKETS
(page 2.67)

O- RING KIT
Cod. SMV1401

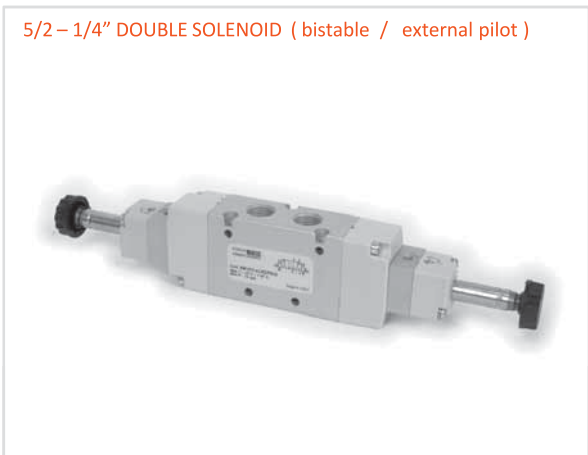
9 mm BRASS
TUBE & NUCLEUS
Cod. SMV1802

5/2 – 1/4" SINGLE SOLENOID (spring return / external pilot)



- * Flow rate is 1100 NI / min. at 6 bar .
- * Max working pressure is 10 bar .
- * Aluminium body.
- * Voltages are 24 v dc – 24 v ac – 110 v ac – 220 v ac
- * Spool with spring return air pilot supported (with single solenoid)
- * Manuel override detendet
- * Min. working pressure is 1 bar (with bistable version)
- * Suitable for non oily applications.

5/2 – 1/4" DOUBLE SOLENOID (bistable / external pilot)

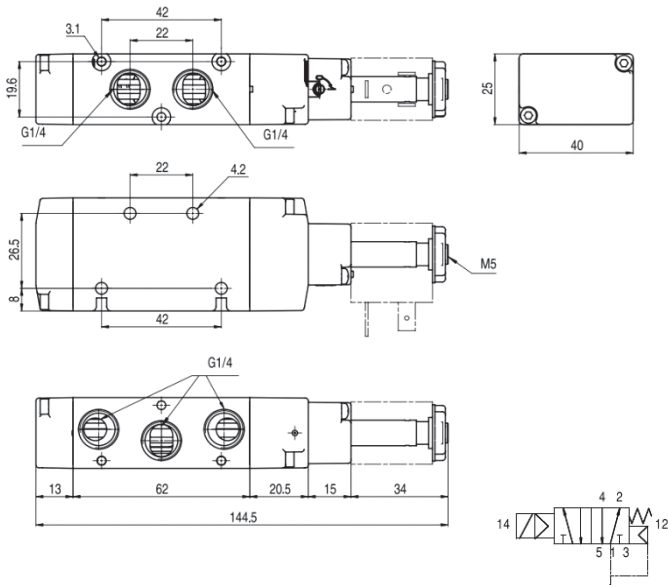


ORDERING CODES for a VALVE

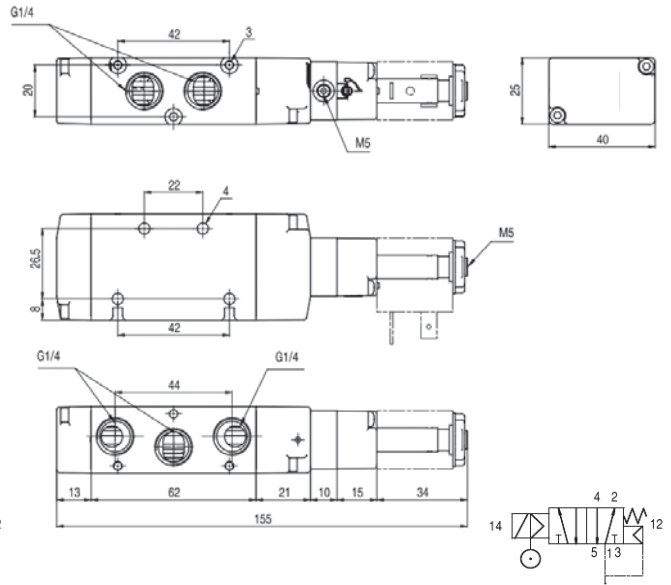
- | | | |
|---|---|----------------|
| 5/2 – 1/4" SINGLE SOLENOID | : | SMV5214TB00M00 |
| 5/2 – 1/4" SINGLE SOLENOID external pilot | : | SMV5214TB00M00 |
| 5/2 – 1/4" BISTABLE | : | SMV5214CB00M00 |
| 5/2 – 1/4" BISTABLE external pilot | : | SMV5214CB00M00 |

Fluid	:	Compressed filtered air with or without lubrication
		If lubrication used at ones must be continious .
Pressure range	:	min.1,5 bar - max. 10 bar spring return / min. 1 bar – max. 10 bar bistable
Temperature range	:	- 10 °C / + 60 °C
Version	:	5/2 - 1/4" spring return / external pilot / bistable
Materials		
	Covers	: DELRIN 500
	spool	: hard aluminium anodized
	Seals	: NBR
	Body	: Anodized aluminium
Orifice	:	8 mm
Mounting	:	In any position
Flow rate	:	1.100 NI/ min at 6 bar
Cycle per min.	:	180 cycle / min for bistable 190 cycle / min.
Vacuum	:	Suitable with external pilot version

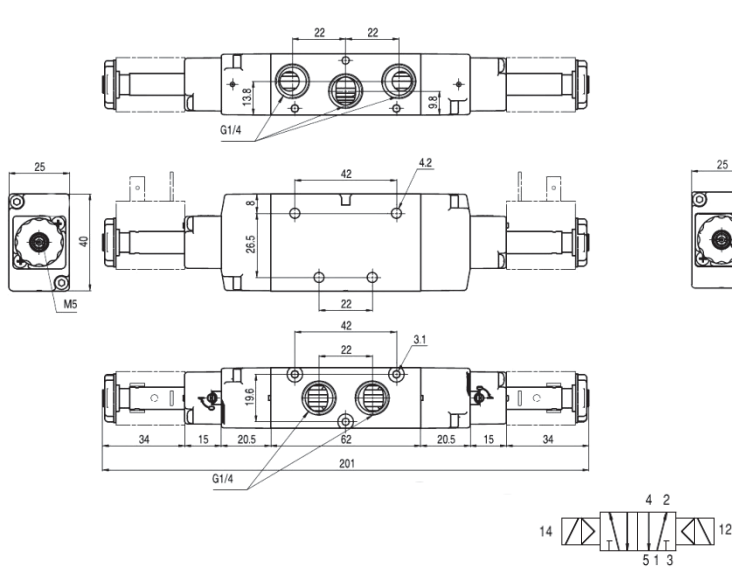
DRAWING (5/2 spring return)



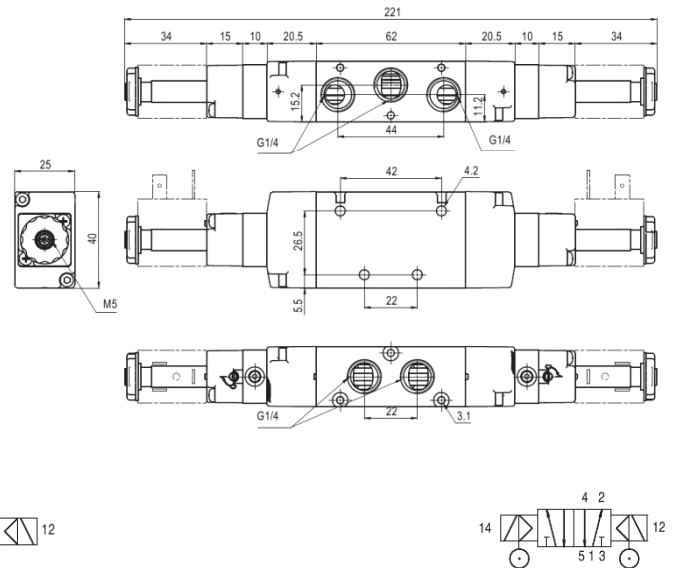
DRAWING (5/2 spring return with external pilot)



DRAWING (5/2 bistable)



DRAWING (5/2 bistable with external pilot)



ACCESSORIES & SPARE PARTS



COILS & SOCKETS
(page 2.67)



O- RING KIT
Cod. SMV1401

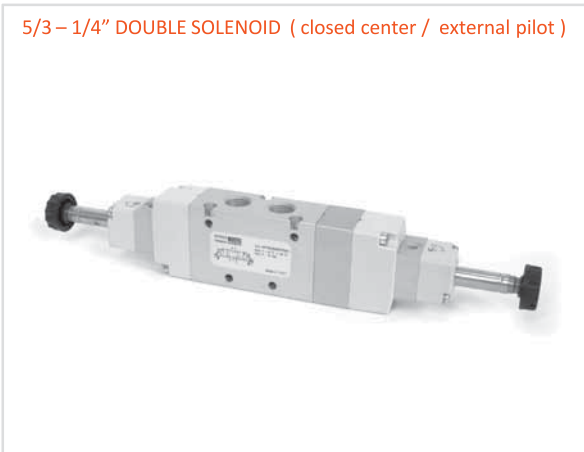


9 mm BRASS
TUBE & NUCLEUS
Cod. SMV1802



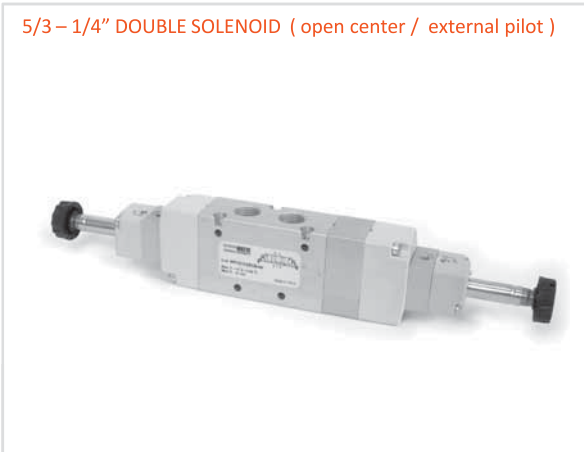
BASES &
BLANKING PLATE
(page 2.65)

5/3 – 1/4" DOUBLE SOLENOID (closed center / external pilot)



- * Flow rate is 1100 NI / min. at 6 bar .
- * Max working pressure is 10 bar .
- * Aluminium body.
- * Voltages are 24 v dc – 24 v ac – 110 v ac – 220 v ac
- * Spool with spring return
- * Manuel override detendet
- * Min. working pressure is 2,5 bar
- * Suitable for non oily applications.

5/3 – 1/4" DOUBLE SOLENOID (open center / external pilot)



ORDERING CODES for a VALVE

5/3 – 1/4" DOUBLE SOLENOID	C.C	:	SMV5314CB00MKM
5/3 – 1/4" DOUBLE SOLENOID	C.C. external pilot	:	SMV5314CBDPMKM
5/3 – 1/4" DOUBLE SOLENOID	O.C.	:	SMV5314CB00MAM
5/3 – 1/4" DOUBLE SOLENOID	O.C. external pilot	:	SMV5314CBDPMAM

Fluid : Compressed filtered air with or without lubrication

If lubrication used at ones must be continious .

Pressure range : min.2,5 bar - max. 10 bar

Temperature range : - 10 °C / + 60 °C

Version : 5/3 - 1/4" double solenoid / closed center / open center / external pilot

Materials

Covers : DELRIN 500

spool : hard aluminium anodized

Seals : NBR

Body : Anodized aluminium

Orifice : 8 mm

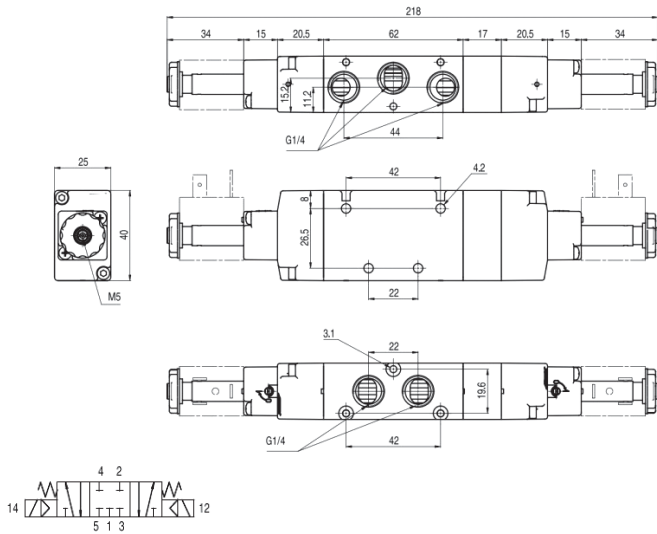
Mounting : In any position

Flow rate : 1.100 NI/ min at 6 bar

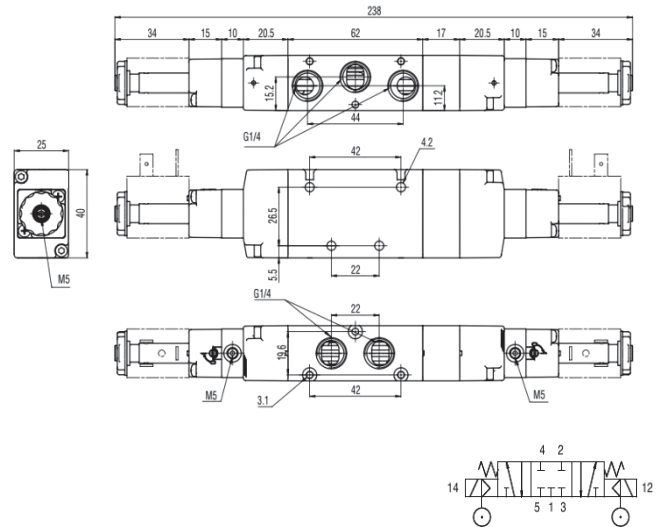
Cycle per min. : 150 cycle / min (from port 2 or port 4 to neutral position)

Vacuum : Suitable with external pilot version

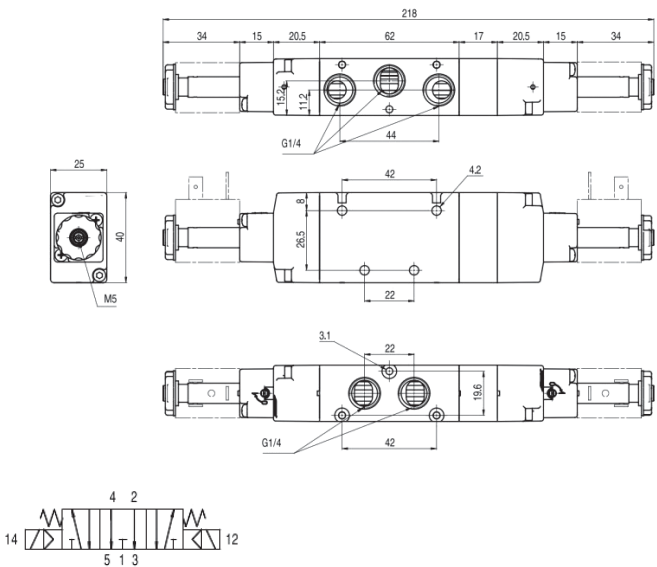
DRAWING (5/3 closed center)



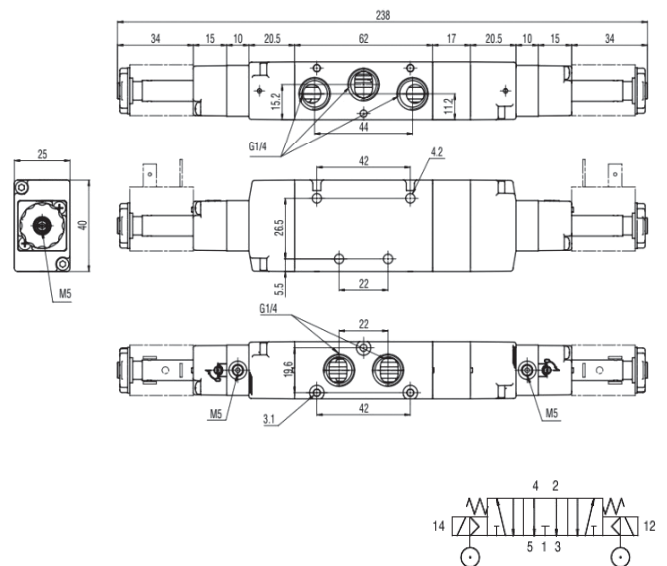
DRAWING (5/3 closed center with external pilot)



DRAWING (5/3 open center)



DRAWING (5/3 open center with external pilot)



ACCESSORIES & SPARE PARTS



COILS & SOCKETS
(page 2.67)

O- RING KIT
Cod. SMV1401

9 mm BRASS
TUBE & NUCLEUS
Cod. SMV1802

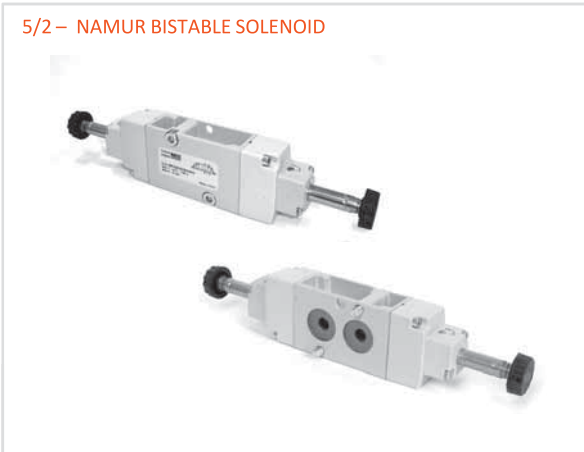
BASES &
BLANKING PLATE
(page 2.65)

5/2 – NAMUR SINGLE SOLENOID



- * Flow rate is 1000 NI / min. at 6 bar .
- * Max working pressure is 10 bar .
- * Aluminium body painted in white
- * Voltages are 24 v dc – 24 v ac – 110 v ac – 220 v ac
- * Spool with spring return air pilot supported (with single solenoid)
- * Manuel override detendet
- * Min. working pressure is 1 bar (with bistable version)
- * Suitable for NAMUR standarts

5/2 – NAMUR BISTABLE SOLENOID



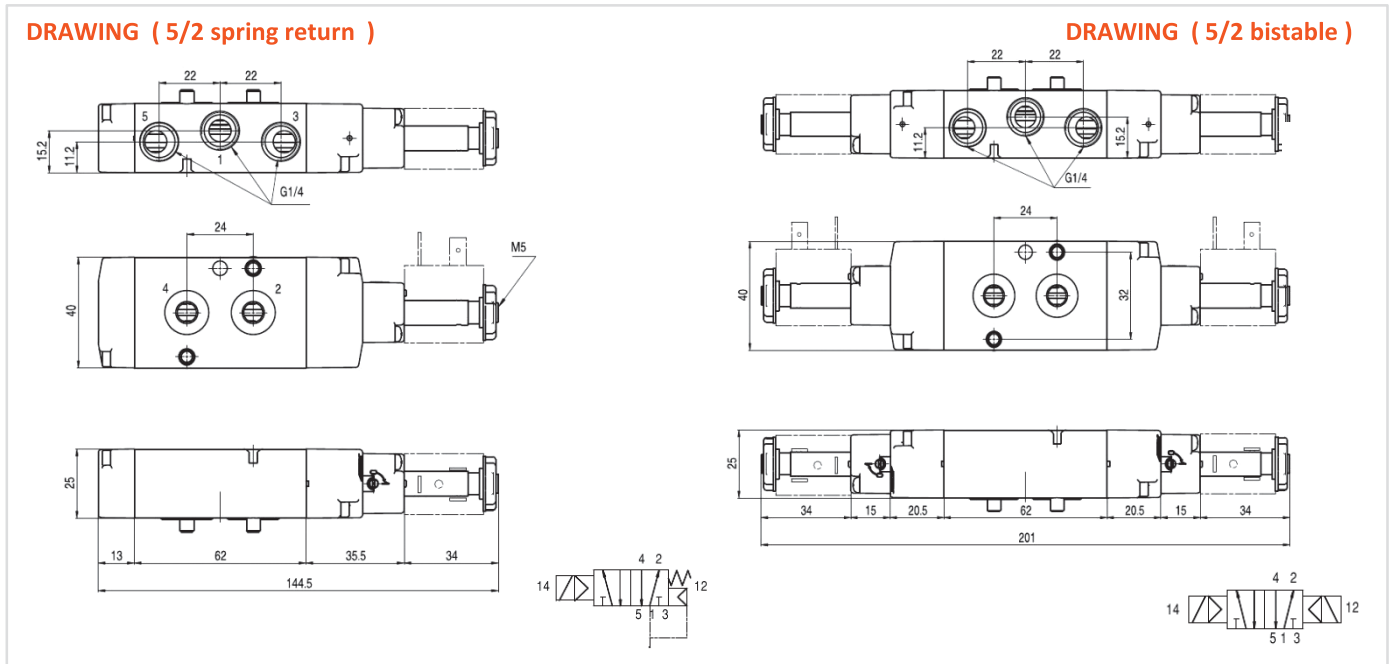
ORDERING CODES for a VALVE

5/2 NAMUR SINGLE SOLENOID : SMV52NATB00M00
 5/2 BISTABLE SOLENOID : SMV52NACB00M00

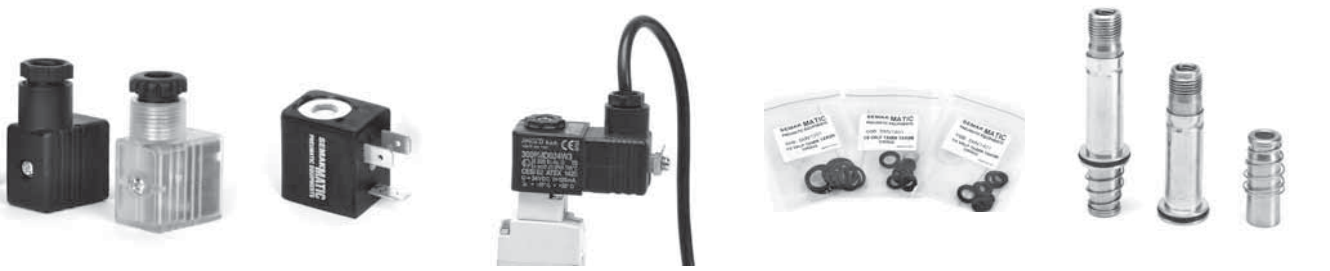
Fluid	: Compressed filtered air with or without lubrication
	If lubrication used at ones must be continious .
Pressure range	: min.1,5 bar - max. 10 bar spring return / min. 1 bar – max. 10 bar bistable
Temperature range	: - 10 °C / + 60 °C
Version	: 5/2 - 1/4" spring return / bistable
Materials	
Covers	: DELRIN 500
spool	: hard aluminium anodized
Seals	: NBR
Body	: Die – cast painted aluminium
Orifice	: 7 mm
Mounting	: Supplied with 2 o-ring and a screw suitable for namur standart
Flow rate	: 1.000 NI/ min at 6 bar
Cycle per min.	: 180 cycle / min.
Exproof	: Suitable to semakmatic serie exproof coils

DRAWING (5/2 spring return)

DRAWING (5/2 bistable)



ACCESSORIES & SPARE PARTS



COILS & SOCKETS
(page 2.67)

O- RING KIT
Cod. SMV1401

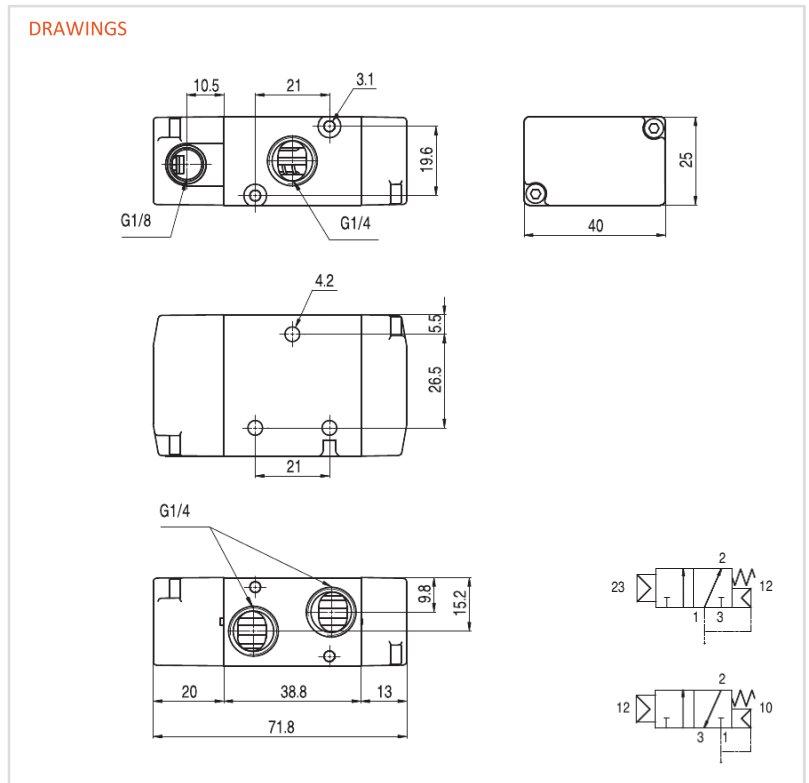
9 mm BRASS
TUBE & NUCLEUS
Cod. SMV1802

3/2 – 1/4" PILOT / SPRING



- * Flow rate is 1100 NI / min. at 6 bar .
- * Max working pressure is 10 bar .
- * Aluminium body.
- * Minimum working pressure is 1,5 bar
- * Spool with spring return air pilot supported
- * Suitable for non oily applications

DRAWINGS



ORDERING CODE for a VALVE

3/2 – 1/4" PILOT / SPRING (N.C.)
 3/2 – 1/4" PILOT / SPRING (N.O.)

: SMV3214HY00MKN
 : SMV3214HY00MNA

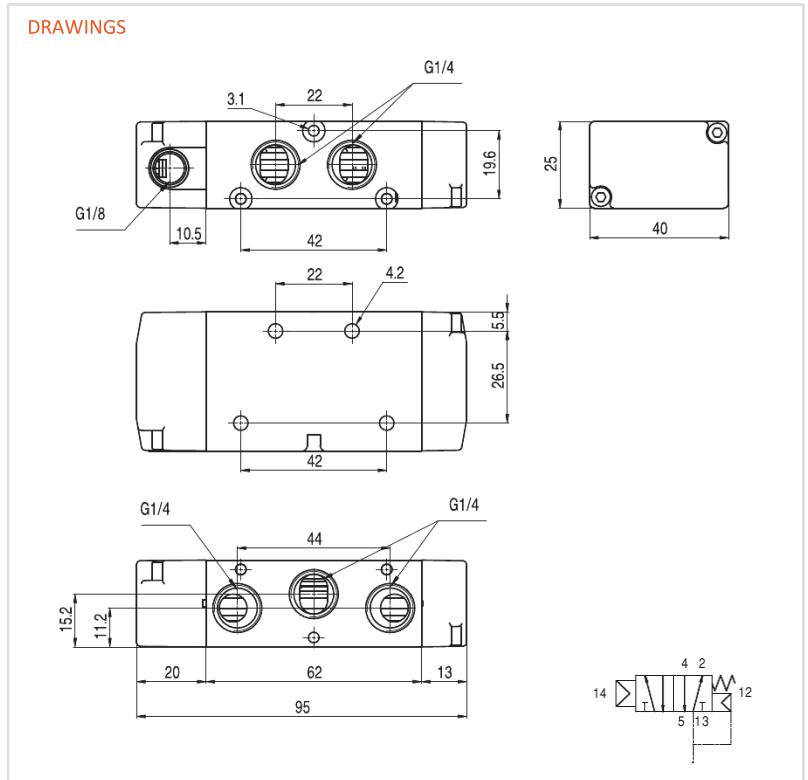
* For spare parts please see page 2.66

Fluid	: Compressed filtered air with or without lubrication
	If lubrication used at ones must be continuous .
Pressure range	: min.1,5 bar - max. 10 bar
Temperature range	: - 10 °C / + 60 °C
Version	: 3/2 - 1/4" PILOT / SPRING N.C. or N.O.
Materials	
Covers	: DELRIN 500
spool	: hard aluminium anodized
Seals	: NBR
Body	: Anodized aluminium
Orifice	: 8 mm
Mounting	: In any position
Flow rate	: 1.100 NI/ min at 6 bar
Cycle per min.	: 180 cycle / min (depends upon the signal inlet and outlet)
Vacuum	: Suitable

5/2 – 1/4" PILOT / SPRING



DRAWINGS



- * Flow rate is 1100 NI / min. at 6 bar .
- * Max working pressure is 10 bar .
- * Aluminium body.
- * Minimum working pressure is 1,5 bar
- * Spool with spring return air pilot supported
- * Suitable for non oily applications

ORDERING CODE for a VALVE

5/2 – 1/4" PILOT / SPRING

: SMV5214HY00M00

* For spare parts see page 2.66 and bases see page 2.65

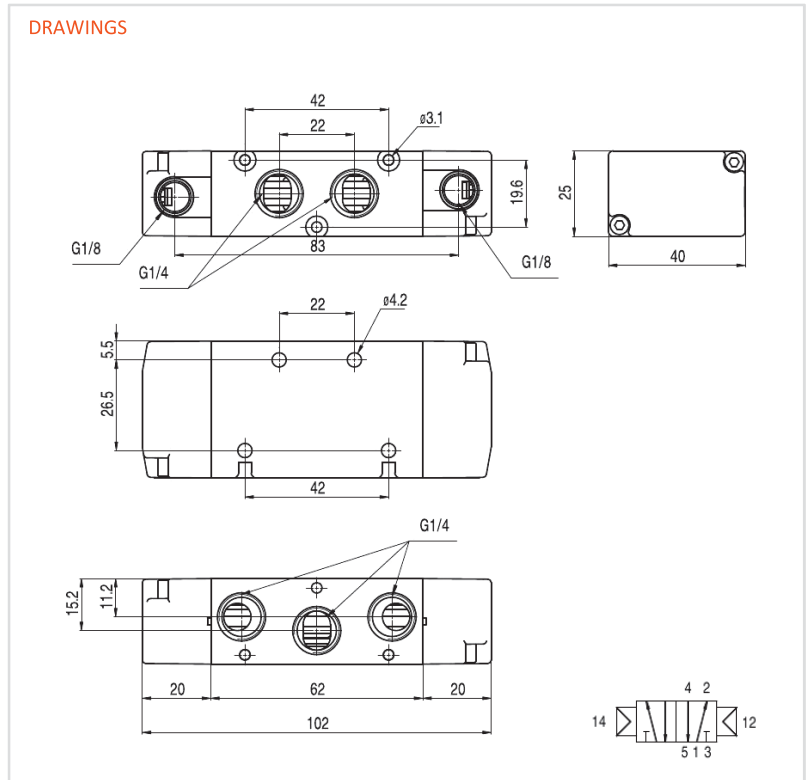
Fluid	: Compressed filtered air with or without lubrication
	If lubrication used at ones must be continuous .
Pressure range	: min.1,5 bar - max. 10 bar
Temperature range	: - 10 °C / + 60 °C
Version	: 5/2 - 1/4" PILOT / SPRING
Materials	
Covers	: DELRIN 500
spool	: hard aluminium anodized
Seals	: NBR
Body	: Anodized aluminium
Orifice	: 8 mm
Mounting	: In any position
Flow rate	: 1.100 NI/ min at 6 bar
Cycle per min.	: 180 cycle / min (depends upon the signal inlet and outlet)
Vacuum	: Suitable

5/2 – 1/4" PILOT / PILOT



- * Flow rate is 1100 NI / min. at 6 bar .
- * Max working pressure is 10 bar .
- * Aluminium body.
- * Minimum working pressure is 1 bar
- * 1/8" pilot ports
- * Suitable for non oily applications

DRAWINGS



ORDERING CODE for a VALVE

5/2 – 1/4" PILOT / PILOT

: SMV5214HH00M00

* For spare parts see page 2.66 and bases see page 2.65

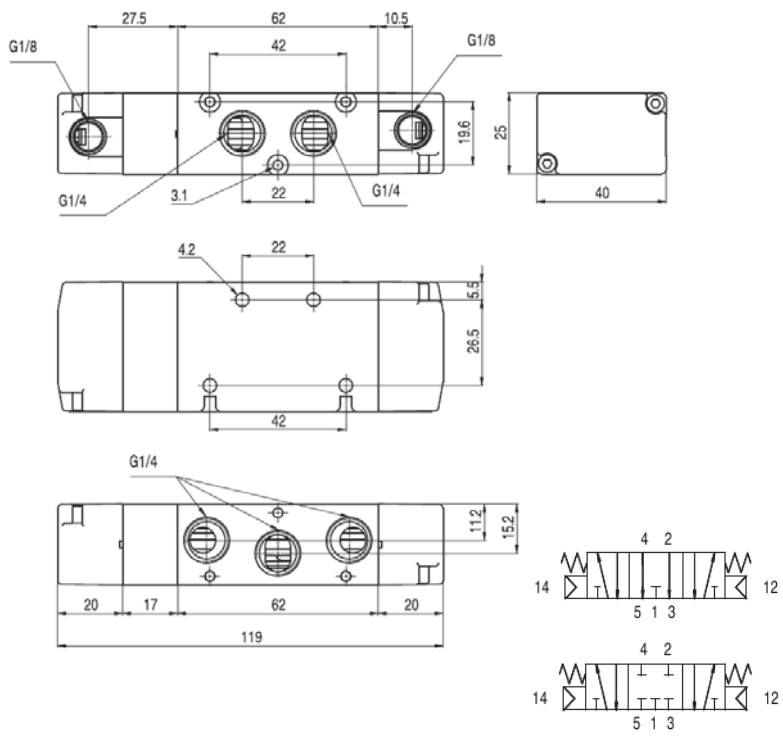
Fluid	: Compressed filtered air with or without lubrication
	If lubrication used at ones must be continuous .
Pressure range	: min.1 bar - max. 10 bar
Temperature range	: - 10 °C / + 60 °C
Version	: 5/2 - 1/4" PILOT / PILOT
Materials	
Covers	: DELRIN 500
spool	: hard aluminium anodized
Seals	: NBR
Body	: Anodized aluminium
Orifice	: 8 mm
Mounting	: In any position
Flow rate	: 1.100 NI/ min at 6 bar
Cycle per min.	: 190 cycle / min (depends upon the signal inlet and outlet)
Vacuum	: Suitable

5/3 – 1/4" DOUBLE PILOT C.C./ O.C.



- * Flow rate is 1100 NI / min. at 6 bar .
- * Max working pressure is 10 bar .
- * Aluminium body.
- * Minimum working pressure is 2,5 bar
- * Spool with spring return
- * Suitable for non oily applications

DRAWINGS



ORDERING CODE for a VALVE

5/3 – 1/4" DOUBLE PILOT C.C : SMV5314HH00MKM
 5/3 – 1/4" DOUBLE PILOT O.C. : SMV5314HH00MAM

* For spare parts see page 2.66 and bases see page 2.65

Fluid	: Compressed filtered air with or without lubrication
	If lubrication used at ones must be continious .
Pressure range	: min.2,5 bar - max. 10 bar
Temperature range	: - 10 °C / + 60 °C
Version	: 5/3 - 1/4" DOUBLE PILOT C.C. / O.C.
Materials	
Covers	: DELRIN 500
spool	: hard aluminium anodized
Seals	: NBR
Body	: Anodized aluminium
Orifice	: 8 mm
Mounting	: In any position
Flow rate	: 1.100 NI/ min at 6 bar
Cycle per min.	: 150 cycle / min (from port 2 or port 4 to neutral position)
Vacuum	: Suitable

3/2 – 1/4" HAND OPERATED SPRING RETURN / DETENDET

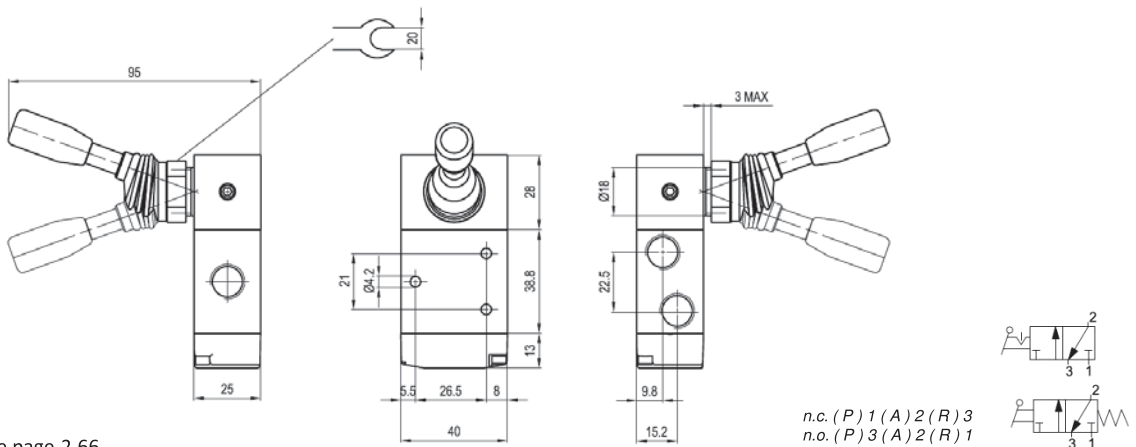


- * Flow rate is 1100 NI / min. at 6 bar .
- * Max working pressure is 10 bar .
- * Aluminium body.
- * Suitable for vacuum
- * Durable hand stick
- * Suitable for non oily applications

ORDERING CODES for a VALVE

- 3/2 – 1/4" HAND OPERATED SPRING RETURN (N.C.) : SMV3214KKKYMNK
- 3/2 – 1/4" HAND OPERATED DETENDET (N.C.) : SMV3214KK00MNK
- 3/2 – 1/4" HAND OPERATED SPRING RETURN (N.O.) : SMV3214KKKYMNA
- 3/2 – 1/4" HAND OPERATED DETENDET (N.O.) : SMV3214KK00MNA

DRAWINGS



* For spare parts please see page 2.66

Fluid	: Compressed filtered air with or without lubrication
	If lubrication used at ones must be continious .
Pressure range	: max. 10 bar
Temperature range	: - 10 °C / + 60 °C
Version	: 3/2 - 1/4" HAND OPERATED SPRING RETURN / DETENDET
Materials	
Covers	: DELRIN 500 (only back cover)
spool	: hard aluminium anodized
Seals	: NBR
Body	: Anodized aluminium
Orifice	: 8 mm
Mounting	: In any position
Flow rate	: 1.100 NI/ min at 6 bar
Tightening of hand stick	: Adjustable
Vacuum	: Suitable

5/2 – 1/4" HAND OPERATED SPRING RETURN / DETENDET

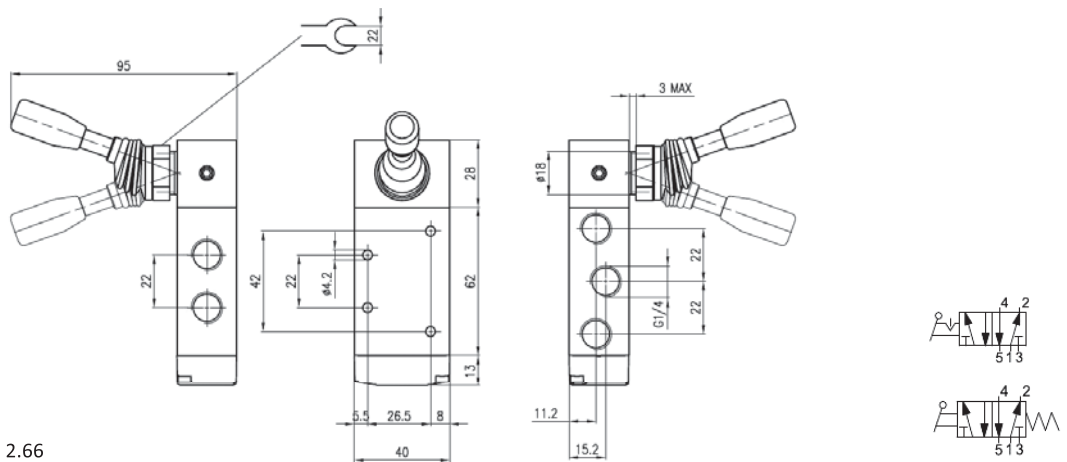


- * Flow rate is 1100 NI / min. at 6 bar .
- * Max working pressure is 10 bar .
- * Aluminium body.
- * Suitable for vacuum
- * Durable hand stick
- * Suitable for non oily applications

ORDERING CODES for a VALVE

5/2 – 1/4" HAND OPERATED SPRING RETURN : SMV5214KKKYM00
 5/2 – 1/4" HAND OPERATED DETENDET : SMV5214KK00M00

DRAWINGS



* For spare parts please see page 2.66

Fluid	: Compressed filtered air with or without lubrication If lubrication used at ones must be continious .
Pressure range	: max. 10 bar
Temperature range	: - 10 °C / + 60 °C
Version	: 5/2 - 1/4" HAND OPERATED SPRING RETURN / DETENDET
Materials	
Covers	: DELRIN 500 (only back cover)
spool	: hard aluminium anodized
Seals	: NBR
Body	: Anodized aluminium
Orifice	: 8 mm
Mounting	: In any position
Flow rate	: 1.100 NI/ min at 6 bar
Tightening of hand stick	: Adjustable
Vacuum	: Suitable

5/3 – 1/4" HAND OPERATED SPRING RETURN C.C/ O.C.

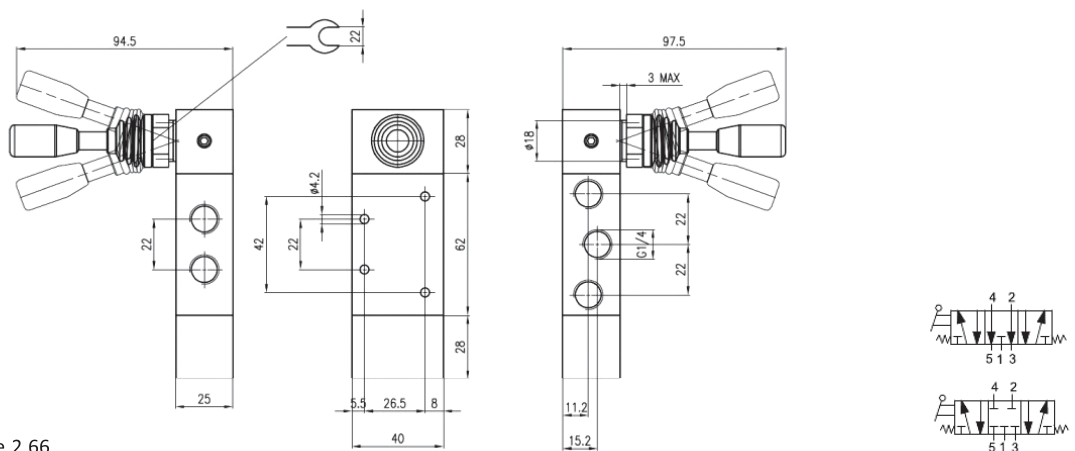


- * Flow rate is 1100 NI / min. at 6 bar .
- * Max working pressure is 10 bar .
- * Aluminium body.
- * Durable hand stick
- * Spool with spring return C.C / O.C
- * Suitable for non oily applications

ORDERING CODES for a VALVE

5/3 – 1/4" HAND OPERATED SPRING RETURN C.C : SMV5314KKKYMKM
 5/3 – 1/4" HAND OPERATED SPRING RETURN O.C. : SMV5314KKKYMAM

DRAWINGS



* For spare parts please see page 2.66

Fluid	: Compressed filtered air with or without lubrication
	If lubrication used at ones must be continuous .
Pressure range	: max. 10 bar
Temperature range	: - 10 °C / + 60 °C
Version	: 5/3 - 1/4" HAND OPERATED SPRING RETURN C.C. / O.C.
Materials	
Covers	: Aluminium
spool	: hard aluminium anodized
Seals	: NBR
Body	: Anodized aluminium
Orifice	: 8 mm
Mounting	: In any position
Flow rate	: 1.100 NI/ min at 6 bar
Tightening of hand stick	: Adjustable
Vacuum	: Suitable

5/3 – 1/4" HAND OPERATED DETENDET C.C/ O.C.

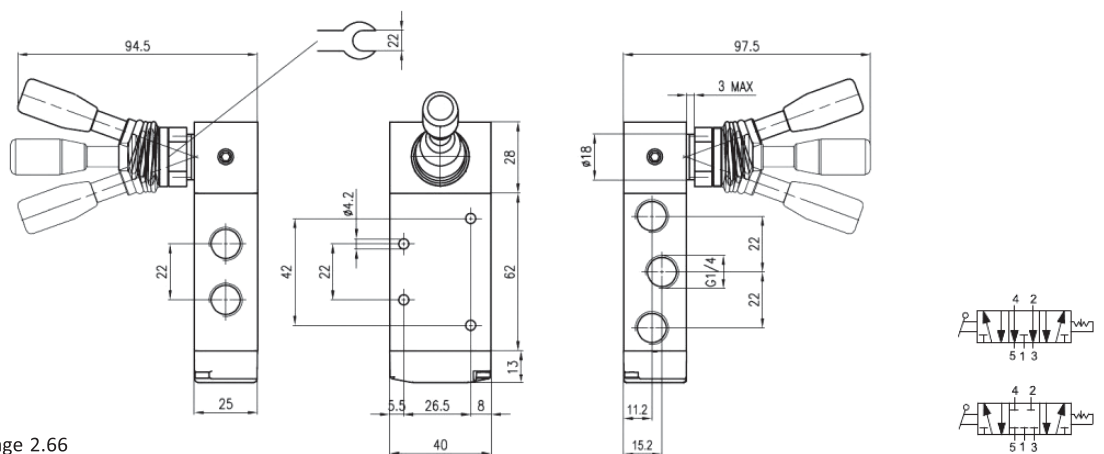


- * Flow rate is 1100 NI / min. at 6 bar .
- * Max working pressure is 10 bar .
- * Aluminium body.
- * Durable hand stick .
- * Can be used for vacuum .
- * Suitable for non oily applications .

ORDERING CODES for a VALVE

5/3 – 1/4" HAND OPERATED DETENDET C.C. : SMV5314KK00MKM
 5/3 – 1/4" HAND OPERATED DETENDET O.C. : SMV5314KK00MAM

DRAWINGS



* For spare parts please see page 2.66

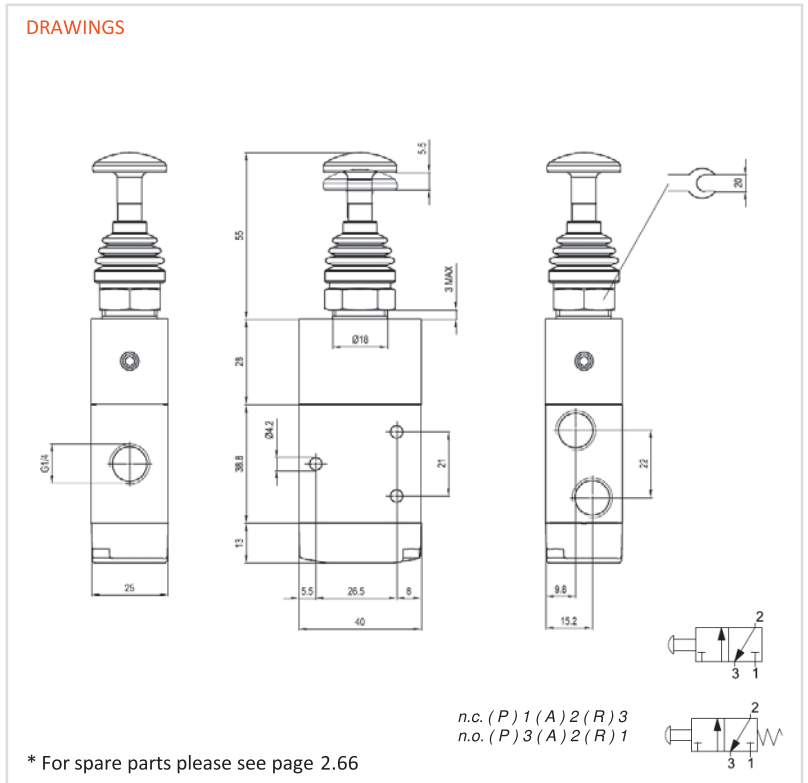
Fluid	: Compressed filtered air with or without lubrication
	If lubrication used at ones must be continuous .
Pressure range	: max. 10 bar
Temperature range	: - 10 °C / + 60 °C
Version	: 5/3 - 1/4" HAND OPERATED DETENDET C.C. / O.C.
Materials	
Cover	: DELRIN 500
spool	: hard aluminium anodized
Seals	: NBR
Body	: Anodized aluminium
Orifice	: 8 mm
Mounting	: In any position
Flow rate	: 1.100 NI/ min at 6 bar
Tightening of hand stick	: Adjustable
Vacuum	: Suitable

3/2 – 1/4" DRAWER VALVES spring return / detendet



- * Flow rate is 1100 NI / min. at 6 bar .
- * Max working pressure is 10 bar .
- * Aluminium body.
- * Very durable hand stick
- * Can be used for vacuum
- * Suitable for non oily applications

DRAWINGS



ORDERING CODES for a VALVE

- 3/2 – 1/4" DRAWER VALVE SPRING RETURN (N.C.) : SMV3214IC01MNK
- 3/2 – 1/4" DRAWER VALVE DETENDET (N.C.) : SMV3214IC00MNK
- 3/2 - 1/4" DRAWER VALVE SPRING RETURN (N.O.) : SMV3214IC01MNA
- 3/2 - 1/4" DRAWER VALVE DETENDET (N.O.) : SMV3214IC00MNA

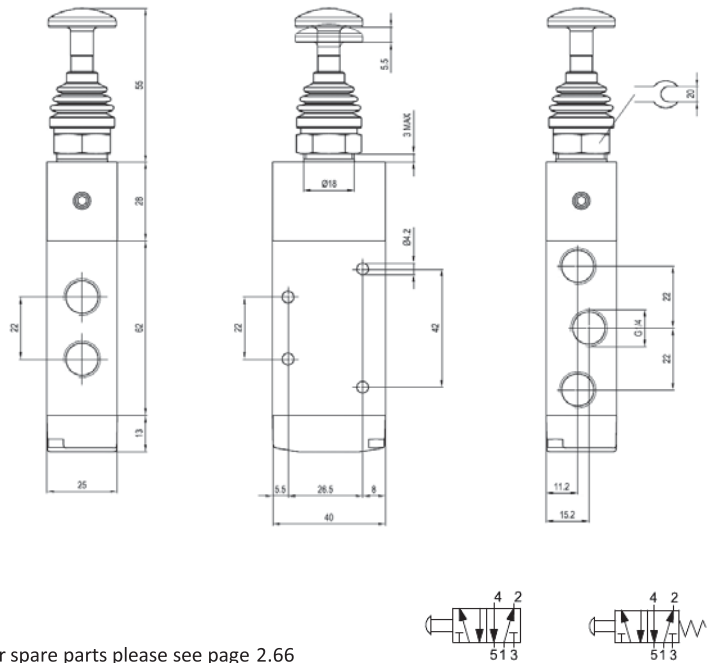
Fluid	: Compressed filtered air with or without lubrication
	If lubrication used at ones must be continuous .
Pressure range	: max. 10 bar
Temperature range	: - 10 °C / + 60 °C
Version	: 3/2 - 1/4" DRAWER VALVE spring return / detendet
Materials	
Cover	: DELRIN 500
spool	: hard aluminium anodized
Seals	: NBR
Body	: Anodized aluminium
Orifice	: 8 mm
Mounting	: In any position
Flow rate	: 1.100 NI/ min at 6 bar
Tightening of hand stick	: Adjustable
Vacuum	: Suitable

5/2 – 1/4" DRAWER VALVES spring return / detendet



- * Flow rate is 1100 NI / min. at 6 bar .
- * Max working pressure is 10 bar .
- * Aluminium body.
- * Can be used for vacuum
- * Spool with spring return OR detendet
- * Suitable for non oily applications

DRAWINGS



* For spare parts please see page 2.66

ORDERING CODES for a VALVE

- 5/2 – 1/4" DRAWER VALVE SPRING RETURN : SMV5214IC01M00
- 5/2 – 1/4" DRAWER VALVE DETENDET : SMV5214IC00M00

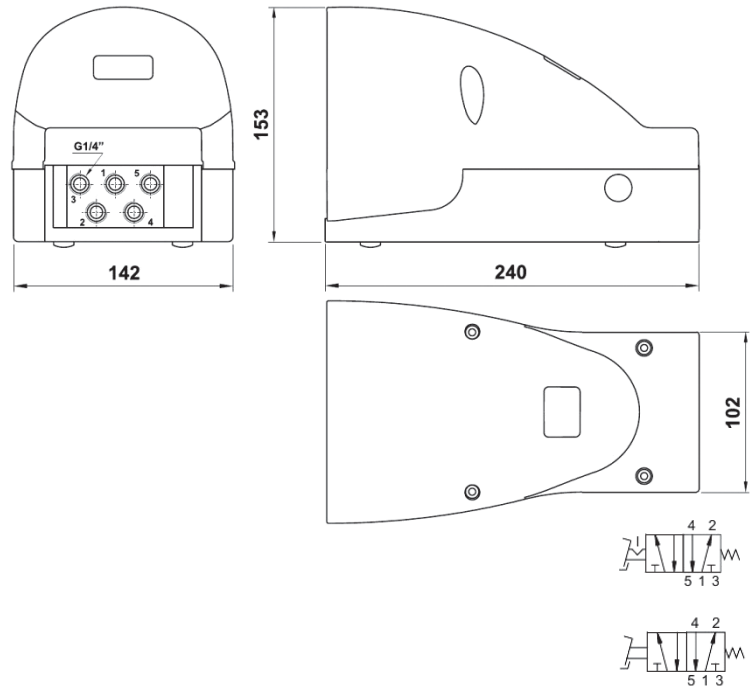
Fluid	: Compressed filtered air with or without lubrication
	If lubrication used at ones must be continious .
Pressure range	: max. 10 bar
Temperature range	: - 10 °C / + 60 °C
Version	: 5/2 - 1/4" DRAWER VALVE spring return / detendet
Materials	
Cover	: DELRIN 500
spool	: hard aluminium anodized
Seals	: NBR
Body	: Anodized aluminium
Orifice	: 8 mm
Mounting	: In any position
Flow rate	: 1.100 NI/ min at 6 bar
Tightening of hand stick	: Adjustable
Vacuum	: Suitable

5/2 – 1/4" DRAWER VALVES spring return / detendet



- * Flow rate is 700 NI / min. at 6 bar .
- * Max working pressure is 10 bar .
- * Aluminium valve
- * Technopolimer protection cover
- * Spring return OR detendet pedal
- * Suitable for non oily applications

DRAWINGS



* Detended version needs extra module in to the pedal

ORDERING CODES for a VALVE

- 5/2 – 1/4" PEDAL VALVE SPRING RETURN : SMV5214PV00T00
- 5/2 – 1/4" PEDAL VALVE DETENDET : SMV5214PV01T00

Fluid : Compressed filtered air with or without lubrication

If lubrication used at ones must be continious .

Pressure range : max. 10 bar

Temperature range : - 10 °C / + 60 °C

Version : 5/2 - 1/4" PEDAL VALVE spring return / detendet

Materials

Cover : Aluminium

spool : aluminium anodized

Seals : NBR

Body : Aluminium

Orifice : 8 mm

Mounting : In any position

Flow rate : 700 NI/ min at 6 bar

Protection Cover : Plastic

BASE

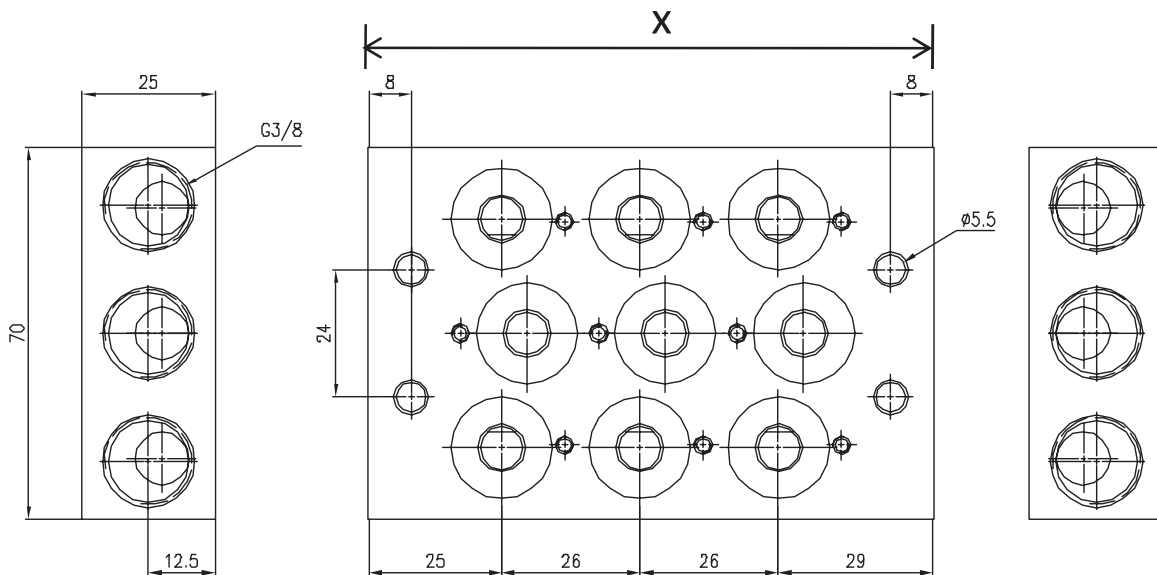


ORDERING CODES for BASES & PLANKING PLATE

2 POSITION SMV BASE	:	SMVPL140000002
3 POSITION SMV BASE	:	SMVPL140000003
4 POSITION SMV BASE	:	SMVPL140000004
5 POSITION SMV BASE	:	SMVPL140000005
6 POSITION SMV BASE	:	SMVPL140000006
7 POSITION SMV BASE	:	SMVPL140000007
8 POSITION SMV BASE	:	SMVPL140000008
9 POSITION SMV BASE	:	SMVPL140000009
10 POSITION SMV BASE	:	SMVPL140000010
BLANKING PLATE	:	SMVPL1400000KP

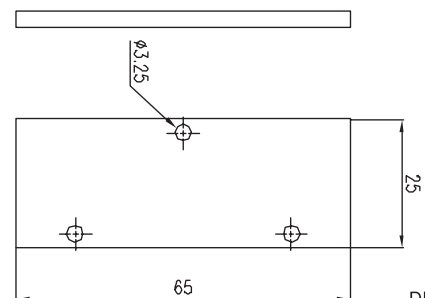
ALL THE BASES SUPPLIED WITH O – RINGS AND SCREWS

DRAWINGS



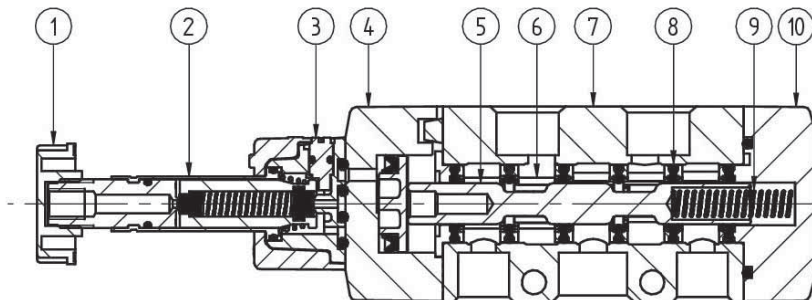
X								
POS. 2	POS 3.	POS 4.	POS 5.	POS 6.	POS 7.	POS 8.	POS 9.	POS 10.
80 mm	106 mm	132 mm	158 mm	184 mm	210 mm	236 mm	262 mm	288 mm

BLANKING PLATE



DRAWING

INTERNAL PARTS OF SEMAKMATIC SERIE SOLENOID VALVE



1	Nut	Plastic material
2	Armature	Brass - Stainless steel specially
3	Manual override	Nickel-plated brass
4	Head	Delrin 500
5	Spool	Hard aluminium anodized
6	Distancers	Fortron 1140 L4
7	Body	Aluminium anodized
8	Seals	Hydrogenated Nitrile Butadiene Rubber (HNBR)
9	Spring	Stainless steel
10	Bottom plate	Delrin 500

SPARE PARTS of THE VALVE (O – RING kit)

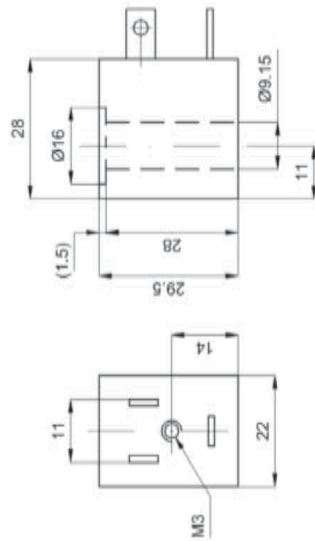
SPARE PARTS of THE VALVE (BRAS TUBE & NUCLEUS 9 mm)



ORDERING Cod. SMV1401

ORDERING Cod. SMV1802 (3/2 n.c. 10 bar NBR)

COILS

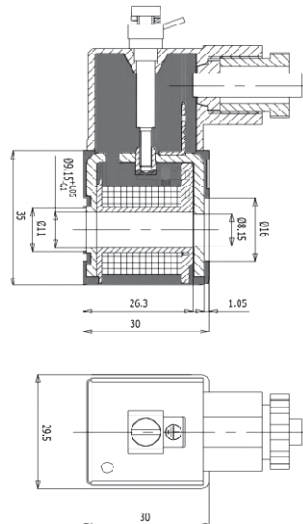


	For DC	For AC
Voltage tolerance	+ / - 10 %	+ / - 10 %
Electrical Consumption	3W	4.2 VA
Frequenzy	-	50 / 60 Hz.
Voltages	24	24 - 110 - 220
Duty cycle	% 100 ED	
Temperature range	- 15 °C / + 50 °C	
Coil size	22 mm wide / suitable for 9 mm brass tube	
Terminal / Class	AMP 6,3 x 0,8 / F Class	

ORDERING CODES

SMB220900024DC	for 24 V DC
SMB220900024AC	for 24 V AC
SMB220900220AC	for 220 V AC
SMB220900110AC	for 110 V AC

EXPROOF COILS

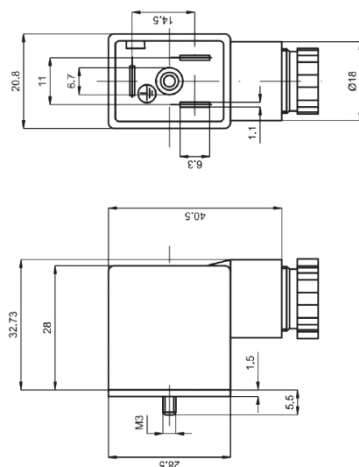


	For DC	For AC
Voltage tolerance	+ / - 10 %	
Electrical Consumption	3W	3.2 VA
Frequenzy	-	50 / 60 Hz.
Voltage	24	220
Duty cycle	% 100 ED	
Temperature range	- 15 °C / + 50 °C	
Coil size	30 mm wide / suitable for 9 mm brass tube	
Conformity	94 / 9 / EC (group 2)	
Cable length	3 Meter	
Certificate	ATEX II2 GD Eexm II T5	

ORDERING CODES

SMB3009EX024DC	for 24 V DC
SMB3009EX022AC	for 220 V AC

SOCKETS



	Standart	24 v /220 v ac
Color	Black	transparent
Led color	-	Red
Protection	-	only with 24 v
Temperature range	- 15 °C / + 50 °C	
Socket size	22 mm wide	
Terminal	AMP 6,3 x 0,8	

ORDERING CODES

SMBS22LED220AC	for 22 mm 220 v ac led
SMBS22LED24V00	for 22 mm 24 v ac dc led
SMBS2200000000	for 22 mm standart socket

3/2 – 1/2" SINGLE SOLENOID N.C. / N.O.



- * Flow rate is 2.900 NI / min. at 6 bar .
- * Max working pressure is 10 bar .
- * Aluminium body.
- * Voltages are 24 v dc – 24 v ac – 110 v ac – 220 v ac
- * Spool with spring return
- * Manuel override detented
- * Min working pressure is 2,5 bar
- * Suitable for non oily applications.

DIMENSION FOR 3/2 SINGLE SOLENOID / external pilot



ORDERING CODES for a VALVE

3/2 – 1/2" SINGLE SOLENOID n.c.	: SMV3212TB00MNK
3/2 – 1/2" SINGLE SOLENOID n.c. external pilot	: SMV3212TB00PMNK
3/2 – 1/2" SINGLE SOLENOID n.o.	: SMV3212TB00MNA
3/2 – 1/2" SINGLE SOLENOID n.o. external pilot	: SMV3212TB00PMNA

Fluid : Compressed filtered air with or without lubrication

If lubrication used at ones must be continuous .

Pressure range : min.2,5 bar - max. 10 bar

Temperature range : - 10 °C / + 60 °C

Version : 3/2 - 1/2" N.C. / 3/2 – 1/2" N.O. / 3/2 – 1/2" external pilot

Materials

Covers : Anodized aluminium

spool : aluminium

Seals : hydrojenated NBR

Body : Anodized aluminium

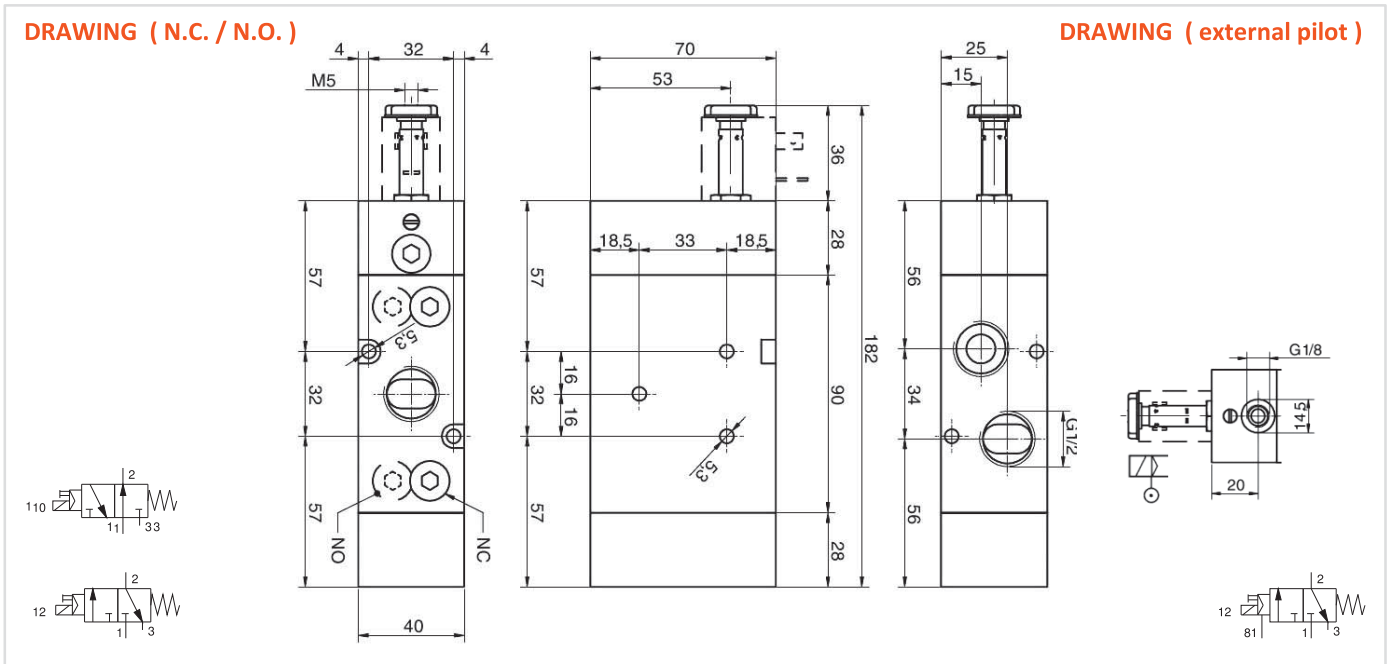
Orifice : 15 mm

Mounting : In any position

Flow rate : 2.900 NI/ min at 6 bar ΔP 1 bar

Cycle per min. : 120 cycle / min

Vacuum : Suitable with external pilot version



ACCESSORIES & SPARE PARTS

COILS & SOCKETS
(page 2.79)

O- RING KIT
Cod. SMV1201

9 mm BRASS
TUBE & NUCLEUS
Cod. SMV1202

5/2 – 12" SINGLE SOLENOID (spring return / external pilot)



- * Flow rate is 2.900 NI / min. at 6 bar .
- * Max working pressure is 10 bar .
- * Aluminium body.
- * Voltages are 24 v dc – 24 v ac – 110 v ac – 220 v ac
- * Spool with spring return (with single solenoid)
- * Manuel override detende
- * Min. working pressure is 1 bar (with bistable version)
- * Suitable for non oily applications.

5/2 – 12" DOUBLE SOLENOID (bistable / external pilot)

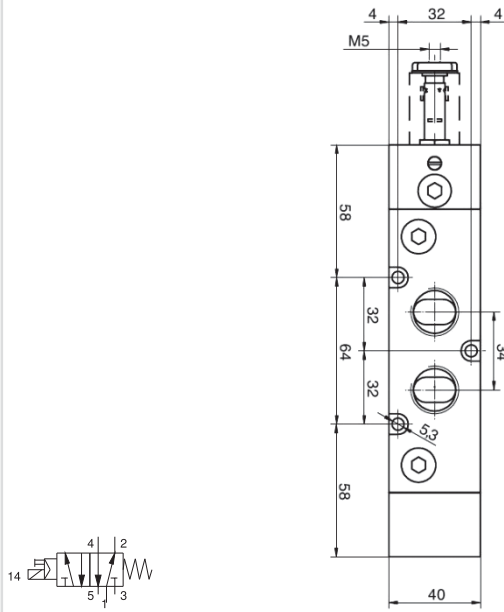


ORDERING CODES for a VALVE

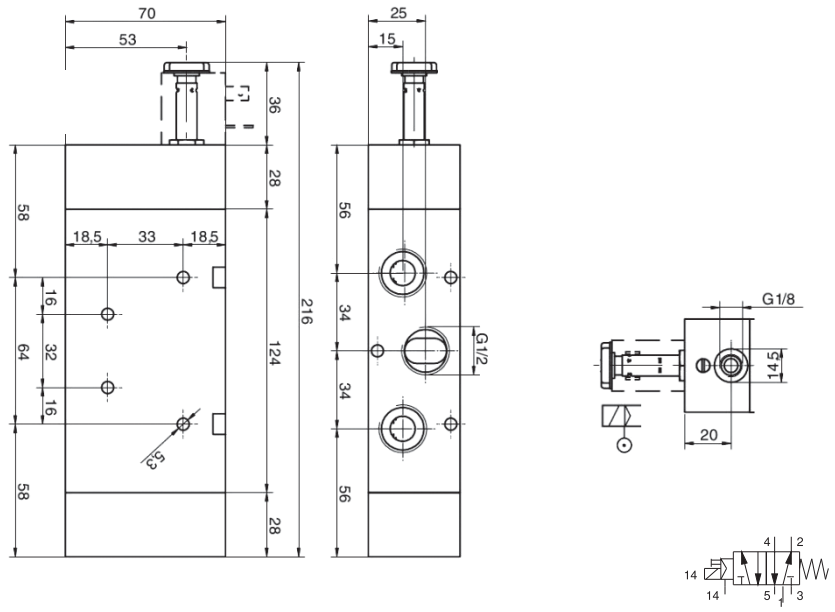
- | | |
|---|------------------|
| 5/2 – 1/2" SINGLE SOLENOID | : SMV5212TB00M00 |
| 5/2 – 1/2" SINGLE SOLENOID external pilot | : SMV5212TBDPM00 |
| 5/2 – 1/2" BISTABLE | : SMV5212CB00M00 |
| 5/2 – 1/2" BISTABLE external pilot | : SMV5212CBDPM00 |

Fluid	: Compressed filtered air with or without lubrication
	If lubrication used at ones must be continious .
Pressure range	: min.2,5 bar - max. 10 bar spring return / min. 1 bar – max. 10 bar bistable
Temperature range	: - 10 °C / + 60 °C
Version	: 5/2 - 1/2" spring return / external pilot / bistable
Materials	
Covers	: Anodized aluminium
spool	: aluminium
Seals	: hydrojenated NBR
Body	: Anodized aluminium
Orifice	: 15 mm
Mounting	: In any position
Flow rate	: 2.900 NI/ min at 6 bar
Cycle per min.	: For single solenoid 120 cycle / min , For bistable 130 cycle / min.
Vacuum	: Suitable with external pilot version

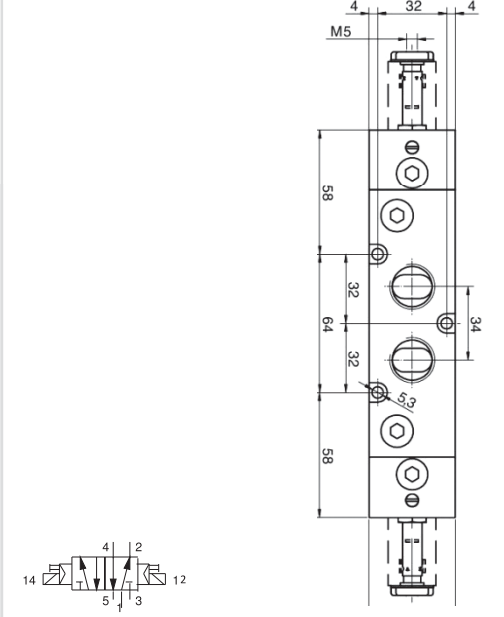
DRAWING (5/2 spring return)



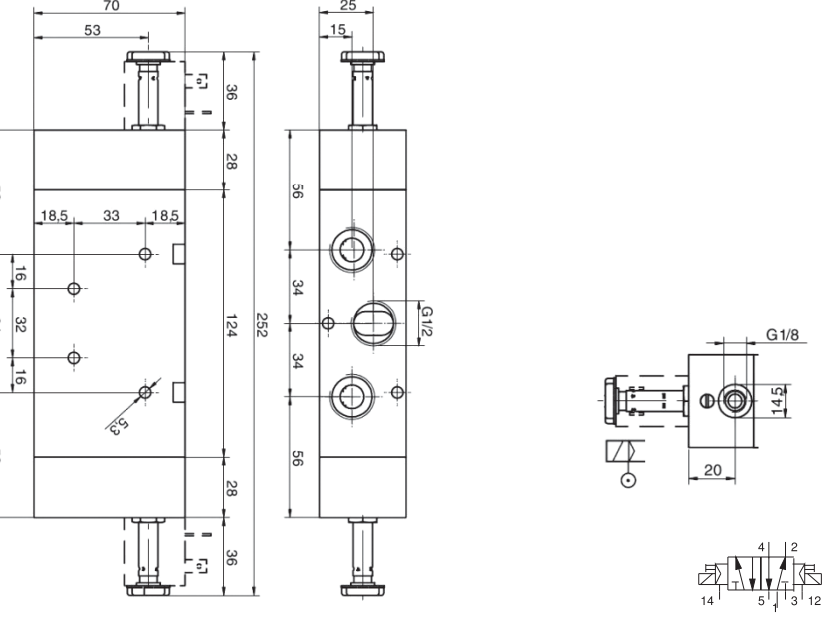
DRAWING (5/2 spring return with external pilot)



DRAWING (5/2 bistable)



DRAWING (5/2 bistable with external pilot)



ACCESSORIES & SPARE PARTS



COILS & SOCKETS
(page 2.79)



O- RING KIT
Cod. SMV1201



9 mm BRASS
TUBE & NUCLEUS
Cod. SMV1202

5/3 – 1/2" DOUBLE SOLENOID (closed center / external pilot)



- * Flow rate is 2.900 NI / min. at 6 bar .
- * Max working pressure is 10 bar .
- * Aluminium body.
- * Voltages are 24 v dc – 24 v ac – 110 v ac – 220 v ac
- * Spool with spring return
- * Manuel override detendet
- * Min. working pressure is 2,5 bar
- * Suitable for non oily applications.

5/3 – 1/2" DOUBLE SOLENOID (open center / external pilot)



ORDERING CODES for a VALVE

5/3 – 1/2" DOUBLE SOLENOID	C.C	:	SMV5312CB00MKM
5/2 – 1/2" DOUBLE SOLENOID	C.C. external pilot	:	SMV5312CBDPMKM
5/2 – 1/2" DOUBLE SOLENOID	O.C.	:	SMV5312CB00MAM
5/2 – 1/2" DOUBLE SOLENOID	O.C. external pilot	:	SMV5212CBDPMAM

Fluid : Compressed filtered air with or without lubrication

If lubrication used at ones must be continious .

Pressure range : min.2,5 bar - max. 10 bar

Temperature range : - 10 °C / + 60 °C

Version : 5/3 - 1/2" double solenoid / closed center / open center / external pilot

Materials

Covers : Anodized aluminium

spool : Aluminium

Seals : hydrojenated NBR

Body : Anodized aluminium

Orifice : 15 mm

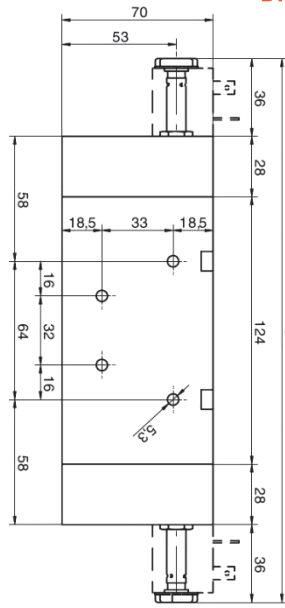
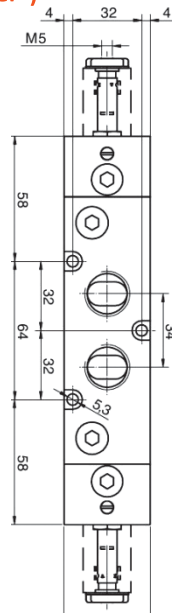
Mounting : In any position

Flow rate : 2.900 NI/ min at 6 bar

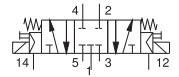
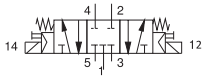
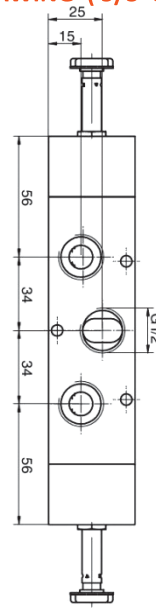
Cycle per min. : 120 cycle / min

Vacuum : Suitable with external pilot version

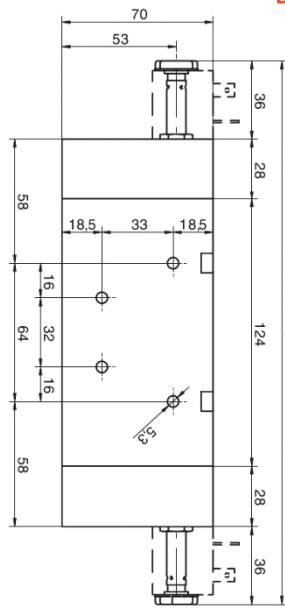
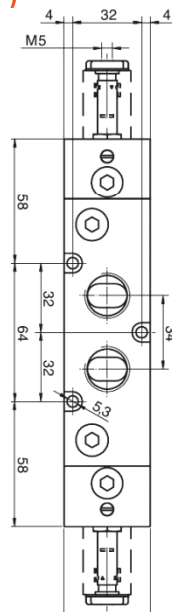
DRAWING (5/3 closed center)



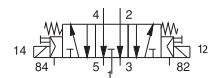
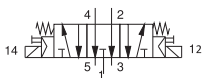
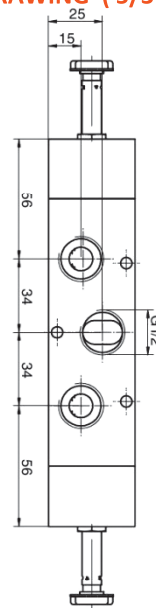
DRAWING (5/3 closed center with external pilot)



DRAWING (5/3 open center)



DRAWING (5/3 open center with external pilot)



ACCESSORIES & SPARE PARTS



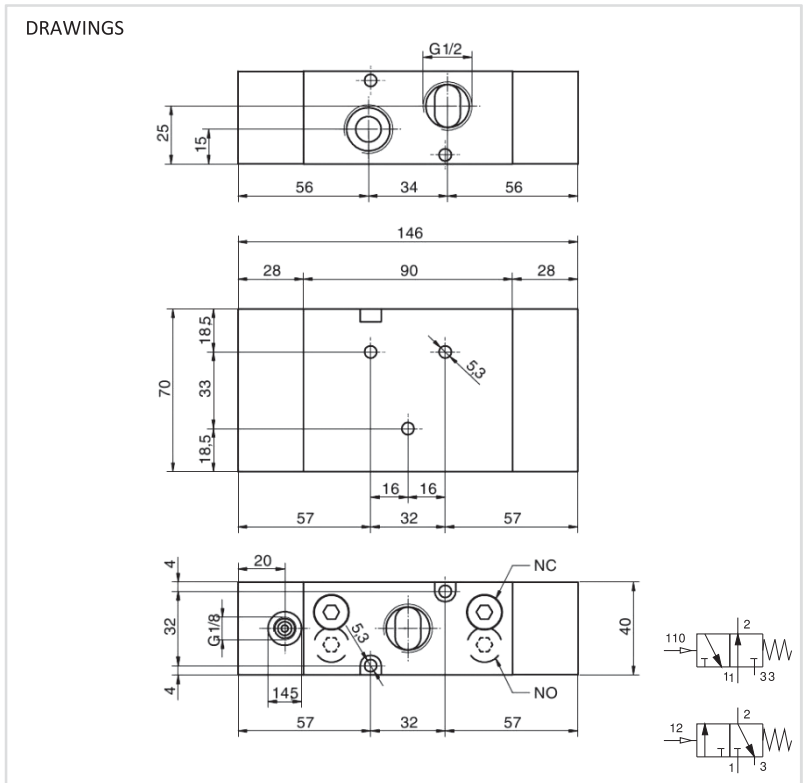
COILS & SOCKETS
(page 2.79)



O- RING KIT
Cod. SMV1201



9 mm BRASS
TUBE & NUCLEUS
Cod. SMV1202



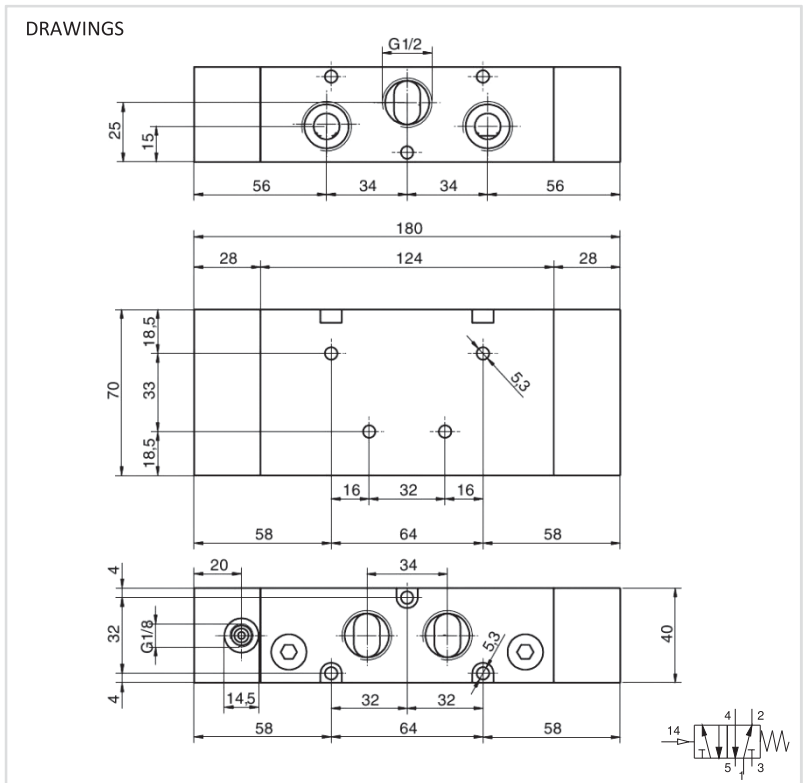
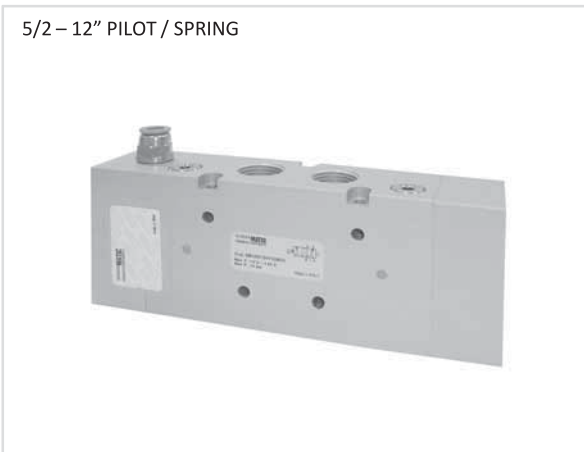
- * Flow rate is 2.900 NI / min. at 6 bar .
- * Max working pressure is 10 bar .
- * Aluminium body.
- * Minimum working pressure is 2,5 bar
- * Spool with spring return
- * Suitable for non oily applications

ORDERING CODE for a VALVE

- 3/2 - 1/2" PILOT / SPRING (N.C.) : SMV3214HY00MNK
- 3/2 - 1/2" PILOT / SPRING (N.O.) : SMV3214HY00MNA

* For spare parts please see page 2.78

Fluid	: Compressed filtered air with or without lubrication
	If lubrication used at ones must be continuous .
Pressure range	: min.1,5 bar - max. 10 bar
Temperature range	: - 10 °C / + 60 °C
Version	: 3/2 - 1/2" PILOT / SPRING N.C. or N.O.
Materials	
Covers	: Anodized aluminium
spool	: Aluminium
Seals	: hydrojenated NBR
Body	: Anodized aluminium
Orifice	: 15 mm
Mounting	: In any position
Flow rate	: 2.900 NI/ min at 6 bar ΔP 1 bar
Cycle per min.	: 120 cycle / min
Vacuum	: Suitable



- * Flow rate is 2900 NI / min. at 6 bar .
- * Max working pressure is 10 bar .
- * Aluminium body.
- * Minimum working pressure is 2,5 bar
- * Spool with spring return air plot supported
- * Suitable for non oily applications

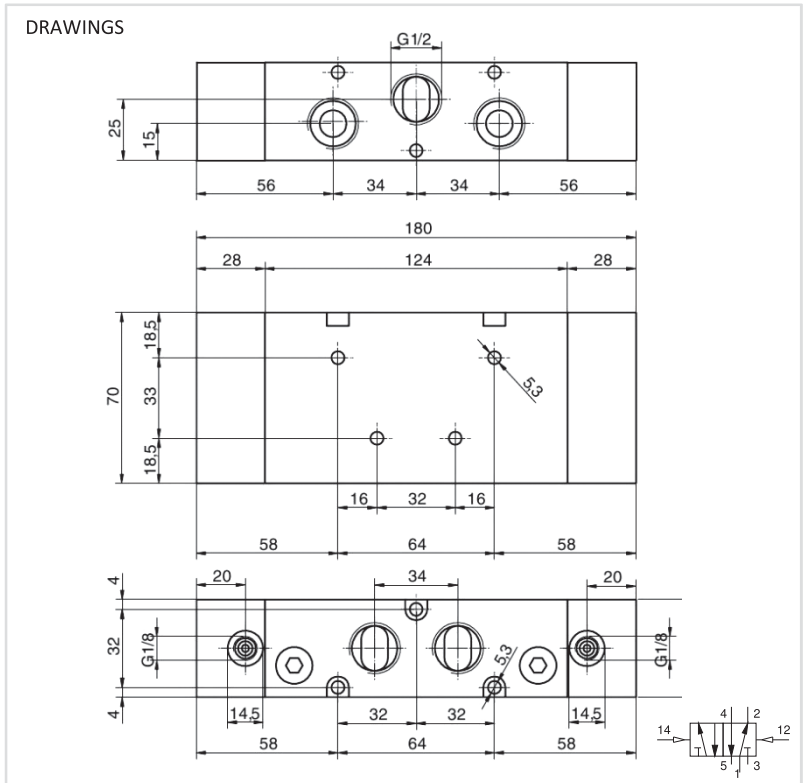
ORDERING CODE for a VALVE

5/2 - 1/2" PILOT / SPRING

: SMV5212HY00M00

* For spare parts please see page 2.78

Fluid	: Compressed filtered air with or without lubrication
	If lubrication used at ones must be continuous .
Pressure range	: min.2,5 bar - max. 10 bar
Temperature range	: - 10 °C / + 60 °C
Version	: 5/2 - 1/2" PILOT / SPRING
Materials	
Covers	: Anodized aluminium
spool	: aluminium
Seals	: hydrojenated NBR
Body	: Anodized aluminium
Orifice	: 15 mm
Mounting	: In any position
Flow rate	: 2.900 NI/ min at 6 bar
Cycle per min.	: 120 cycle / min
Vacuum	: Suitable



- * Flow rate is 2.900 NI / min. at 6 bar .
- * Max working pressure is 10 bar .
- * Aluminium body.
- * Minimum working pressure is 1,5 bar
- * Spool with spring return air plot supported
- * Suitable for non oily applications

ORDERING CODE for a VALVE

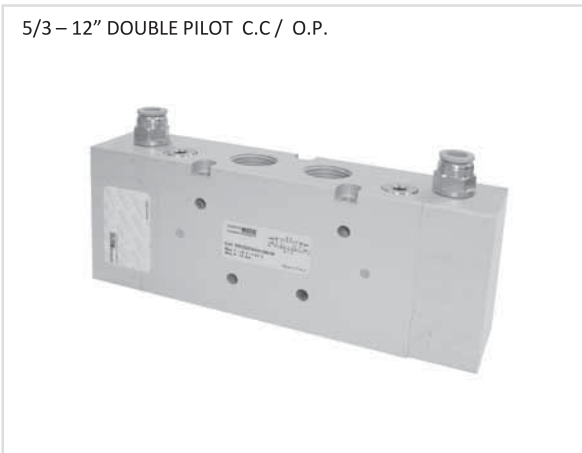
5/2 - 1/2" PILOT / PILOT

: SMV5212HH00M00

* For spare parts please see page 2.78

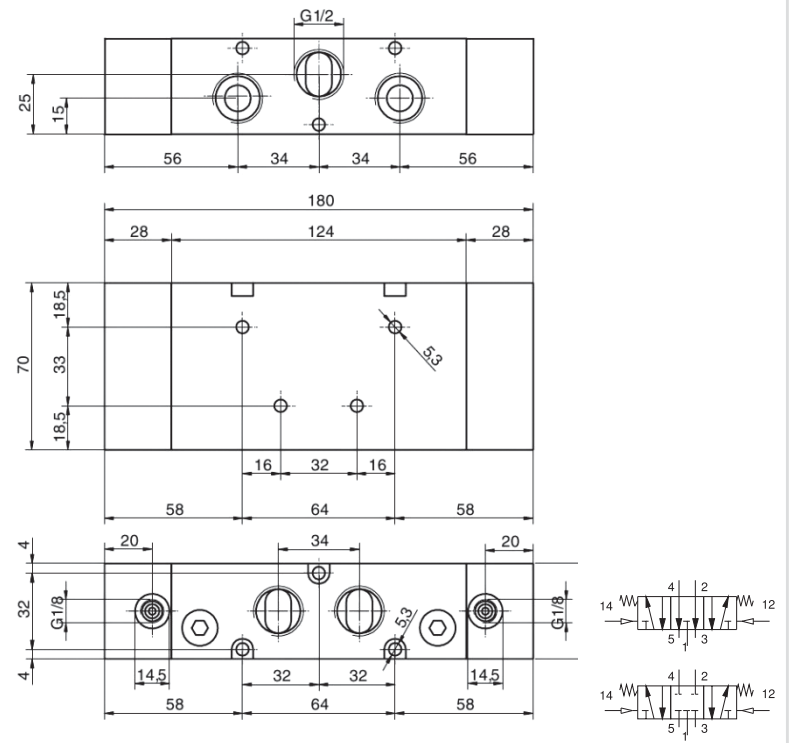
Fluid	: Compressed filtered air with or without lubrication
	If lubrication used at ones must be continuous .
Pressure range	: min.1,5 bar - max. 10 bar
Temperature range	: - 10 °C / + 60 °C
Version	: 5/2 - 1/2" PILOT / PILOT
Materials	
Covers	: Anodized aluminium
spool	: aluminium
Seals	: hydrojenated NBR
Body	: Anodized aluminium
Orifice	: 15 mm
Mounting	: In any position
Flow rate	: 2.900 NI/ min at 6 bar
Cycle per min.	: 130 cycle / min
Vacuum	: Suitable

5/3 – 1/2" DOUBLE PILOT C.C / O.P.



- * Flow rate is 2.900 NI / min. at 6 bar .
- * Max working pressure is 10 bar .
- * Aluminium body.
- * Minimum working pressure is 2,5 bar
- * Spool with spring return air plot supported
- * Suitable for non oily applications

DRAWINGS



ORDERING CODE for a VALVE

5/3 – 1/2" DOUBLE PILOT C.C : SMV5312HH00MKM
 5/3 – 1/2" DOUBLE PILOT O.C. : SMV5312HH00MAM

* For spare parts please see page 2.78

Fluid : Compressed filtered air with or without lubrication

If lubrication used at ones must be continuous .

Pressure range : min.2,5 bar - max. 10 bar

Temperature range : - 10 °C / + 60 °C

Version : 5/3 - 1/2" DOUBLE PILOT C.C. / O.C.

Materials

Covers : Anodized aluminium

spool : aluminium

Seals : hydrojenated NBR

Body : aluminium

Orifice : 15 mm

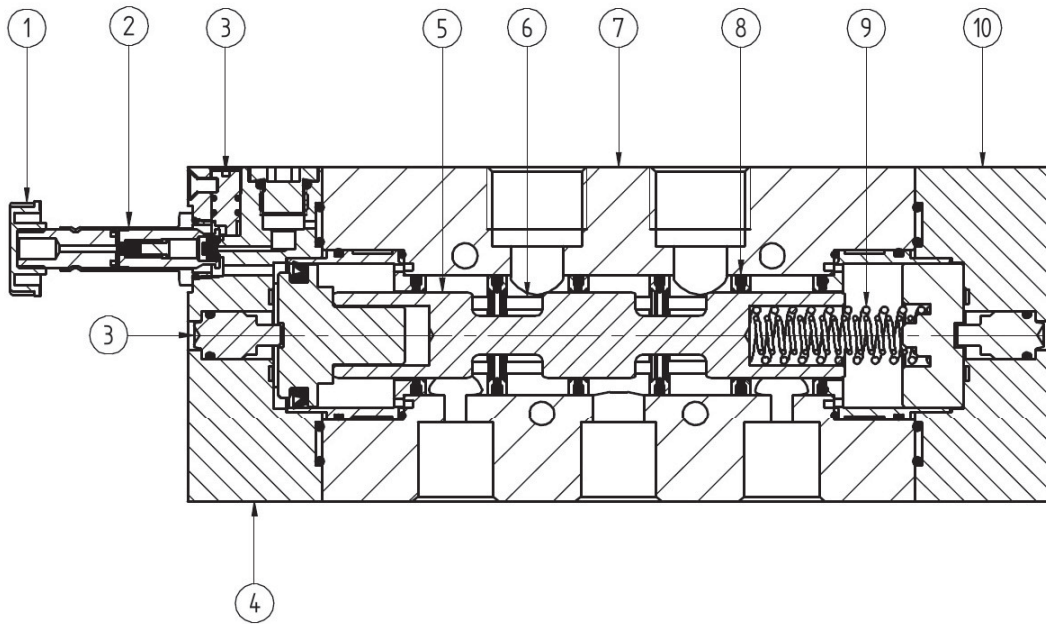
Mounting : In any position

Flow rate : 2.900 NI/ min at 6 bar

Cycle per min. : 120 cycle / min

Vacuum : Suitable

INTERNAL DRAWING of 1/2" 5/2 way valve



1	Nut	Plastic material
2	Armature	Brass - Stainless steel specially
3	Manual override	Nickel-plated brass
4	Head	Aluminium anodized
5	Spool	Hard aluminium anodized
6	Distancers	Aluminium
7	Body	Aluminium anodized
8	Seals	Hydrogenated Nitrile Butadine Rubber (HNBR)
9	Spring	Stainless steel
10	Bottom plate	Aluminium anodized

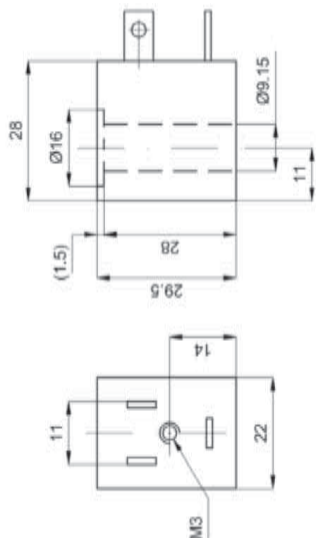
ACCESSORIES & SPARE PARTS



O- RING KIT
For 1/2" valve

Cod. SMV1201

COILS

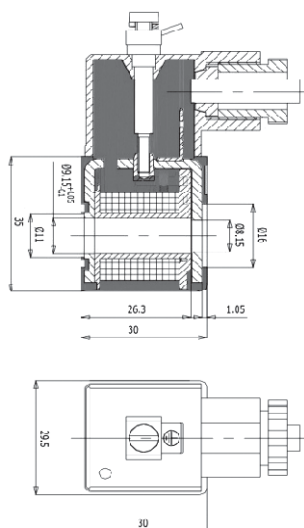


	For DC	For AC
Voltage tolerance	+ / - 10 %	+ / - 10 %
Electrical Consumption	3W	4.2 VA
Frequenzy	-	50 / 60 Hz.
Voltages	24	24 - 110 - 220
Duty cycle	% 100 ED	
Temperature range	- 15 °C / + 50 °C	
Coil size	22 mm wide / suitable for 9 mm brass tube	
Terminal / Class	AMP 6,3 x 0,8 / F Class	

ORDERING CODES

SMB220900024DC	for 24 V DC
SMB220900024AC	for 24 V AC
SMB220900220AC	for 220 V AC
SMB220900110AC	for 110 V AC

EXPROOF COILS

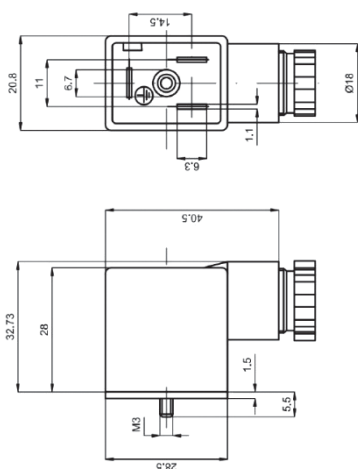


	For DC	For AC
Voltage tolerance	+ / - 10 %	
Electrical Consumption	3W	3.2 VA
Frequenzy	-	50 / 60 Hz.
Voltage	24	220
Duty cycle	% 100 ED	
Temperature range	- 15 °C / + 50 °C	
Coil size	30 mm wide / suitable for 9 mm brass tube	
Conformity	94 / 9 / EC (group 2)	
Cable length	3 Meter	
Certificate	ATEX II2 GD Eexm II T5	

ORDERING CODES

SMB3009EX024DC	for 24 V DC
SMB3009EX022AC	for 220 V AC

SOCKETS



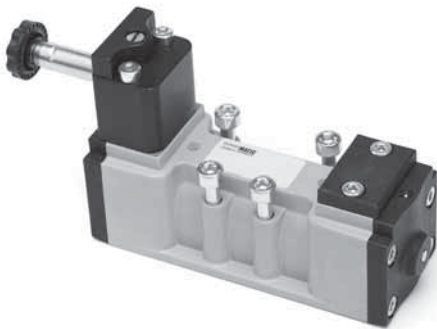
	Standart	24 v /220 v ac
Color	Black	transparent
Led color	-	Red
Protection	-	only with 24 v
Temperature range	- 15 °C / + 50 °C	
Socket size	22 mm wide	
Terminal	AMP 6,3 x 0,8	

ORDERING CODES

SMBS22LED220AC	for 22 mm 220 v ac led
SMBS22LED24V00	for 22 mm 24 v ac dc led
SMBS2200000000	for 22 mm standart socket

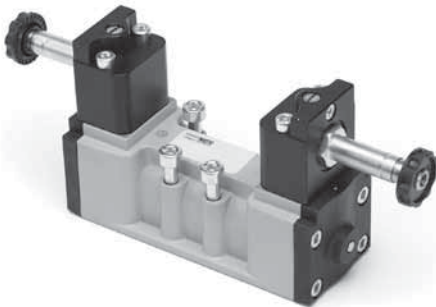
ISO 5599 – 1 SIZE 1 5/2 SOLENOID VALVES (spring return / bistable / external pilot)

5/2 – ISO 1 SINGLE SOLENOID (spring return / external pilot)



- * Flow rate is 1100 NI / min. at 6 bar .
- * Max working pressure is 10 bar .
- * Aluminium body.
- * Voltages are 24 v dc – 24 v ac – 110 v ac – 220 v ac
- * Spool with spring return (with single solenoid)
- * CNOMO pilot with manuel override detended
- * Min. working pressure is 1 bar (with bistable version)
- * Suitable for non oily applications.

5/2 – ISO 1 DOUBLE SOLENOID (bistable / external pilot)



ORDERING CODES for a VALVE

5/2 – ISO 1 SINGLE SOLENOID	:	SMV5201TB00M00
5/2 – ISO 1 SINGLE SOLENOID external pilot	:	SMV5201TBDPM00
5/2 – ISO 1 BISTABLE	:	SMV5201CB00M00
5/2 – ISO 1 BISTABLE external pilot	:	SMV5201CBDPM00

Internal modification needed for the external pilot versions .

Fluid : Compressed filtered air with or without lubrication

If lubrication used at ones must be continious .

Pressure range : min.2 bar - max. 10 bar spring return / min. 1 bar – max. 10 bar bistable

Temperature range : - 10 °C / + 60 °C

Version : 5/2 – ISO 1 spring return / external pilot / bistable

Materials

Covers : Technopolimer

spool : hard aluminium anodized

Seals : NBR

Body : Painted aluminium (grey color)

Orifice : 8 mm

Mounting : In any position

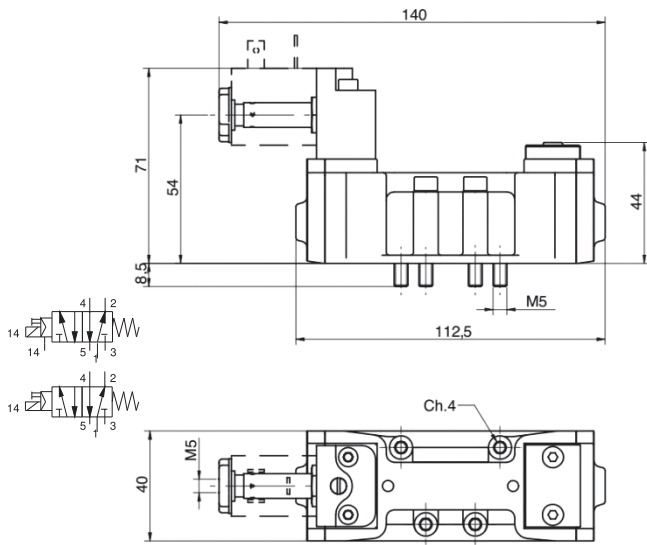
Flow rate : 1.100 NI/ min at 6 bar

Cycle per min. : 120 cycle / min. for bistable 130 cycle / min.

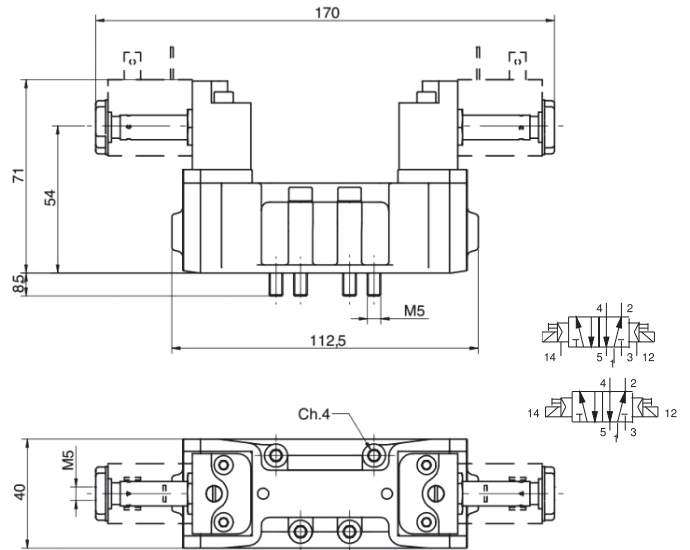
Vacuum : Suitable with external pilot version

5/2 ISO 1 SOLENOID VALVES (spring return / bistable / external pilot)

DRAWING (5/2 spring return / external pilot)

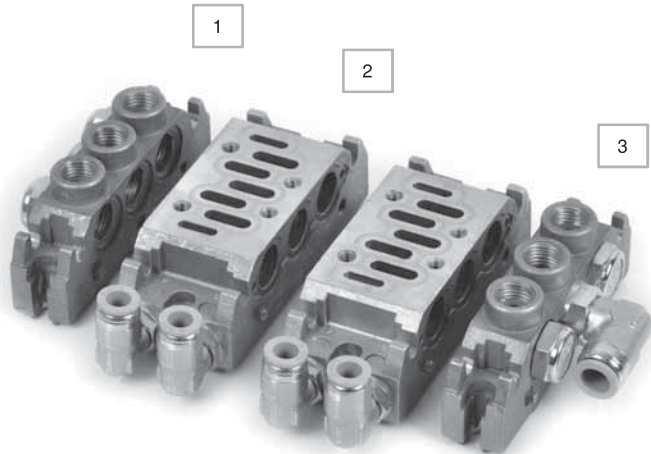


DRAWING (5/2 bistable / external pilot)



SUB BASES

Details of the bases please see page 2.88



Codes ..

- SMVPLI100010014 for 1/4"
- SMVPLI100010038 for 3/8"
- SMVPLI100010012 for 1/2"

Codes ..

- SMVPLI100GP0000 for entry base (1)
- SMVPLI100OP0000 for middle base (2)
- SMVPLI100CP0000 for end base (3)

ACCESSORIES & SPARE PARTS



COILS & SOCKETS
(page 2.105)



O- RING KIT
For ISO 1

Cod. SMV0101

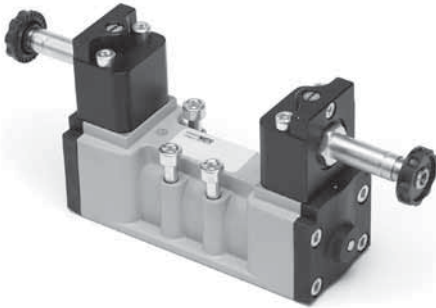


Cnomo pilot
9 mm plunger + body

Cod. SMV0103

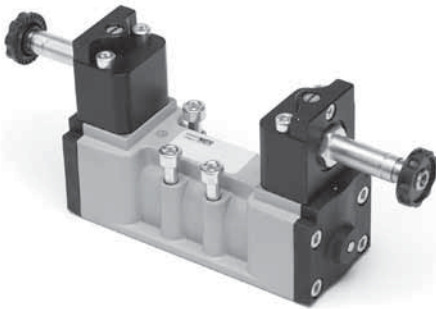
5/3 ISO 1 DOUBLE SOLENOID VALVES (open center / closed center / external pilot)

5/3 – ISO 1 DOUBLE SOLENOID (closed center / external pilot)



- * Flow rate is 1100 NI / min. at 6 bar .
- * Max working pressure is 10 bar .
- * Aluminium body.
- * Voltages are 24 v dc – 24 v ac – 110 v ac – 220 v ac
- * Spool with spring return
- * CNOMO pilot with manual override detented
- * Min. working pressure is 2 bar
- * Suitable for non oily applications.

5/3 – ISO 1 DOUBLE SOLENOID (open center / external pilot)



ORDERING CODES for a VALVE

5/3 – ISO 1 DOUBLE SOLENOID	C.C	:	SMV5301CB00MKM
5/3 – ISO 1 DOUBLE SOLENOID	C.C. external pilot	:	SMV5301CBDPMKM
5/3 – ISO 1 DOUBLE SOLENOID	O.C.	:	SMV5301CB00MAM
5/3 – ISO 1 DOUBLE SOLENOID	O.C. external pilot	:	SMV5301CBDPMAM

Internal modification needed for the external pilot versions .

Fluid : Compressed filtered air with or without lubrication

If lubrication used at ones must be continuous .

Pressure range : min.2 bar - max. 10 bar

Temperature range : - 10 °C / + 60 °C

Version : 5/3 – ISO 1 double solenoid / closed center / open center / external pilot

Materials

Covers : Technopolimer

spool : hard aluminium anodized

Seals : NBR

Body : Painted aluminium (grey color)

Orifice : 8 mm

Mounting : In any position

Flow rate : 1.100 NI/ min at 6 bar

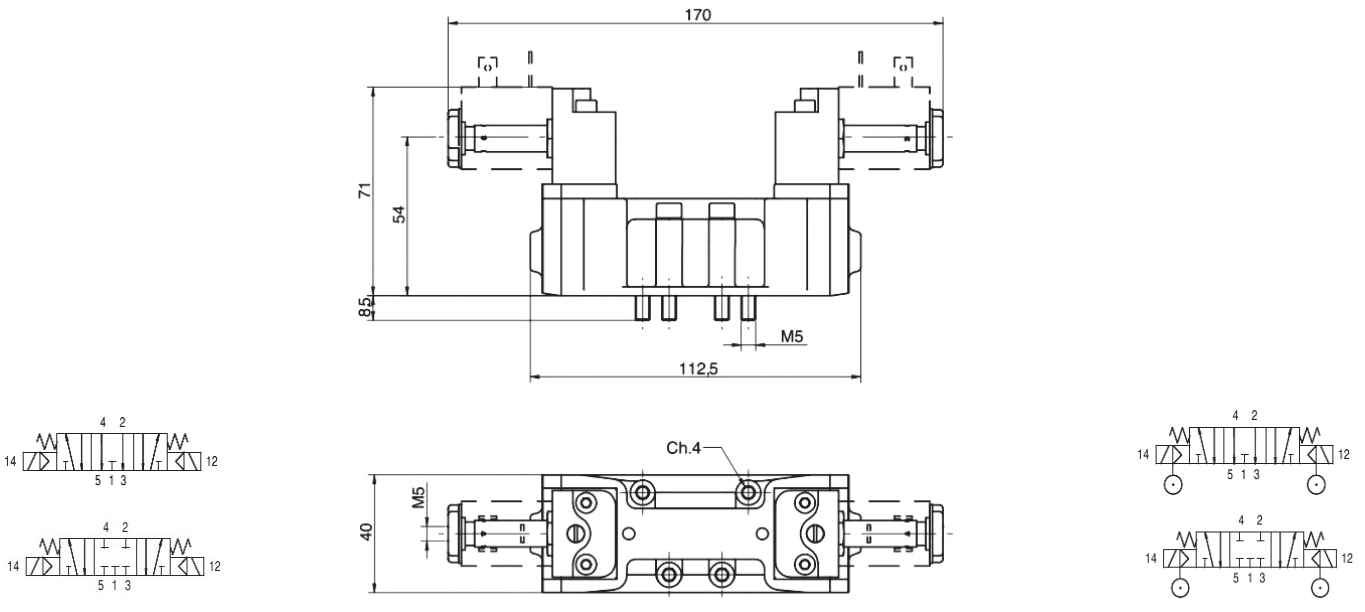
Cycle per min. : 120 cycle / min (from port 2 or port 4 to neutral position)

Vacuum : Suitable with external pilot version

5/3 ISO 1 DOUBLE SOLENOID VALVES (open center / closed center / external pilot)

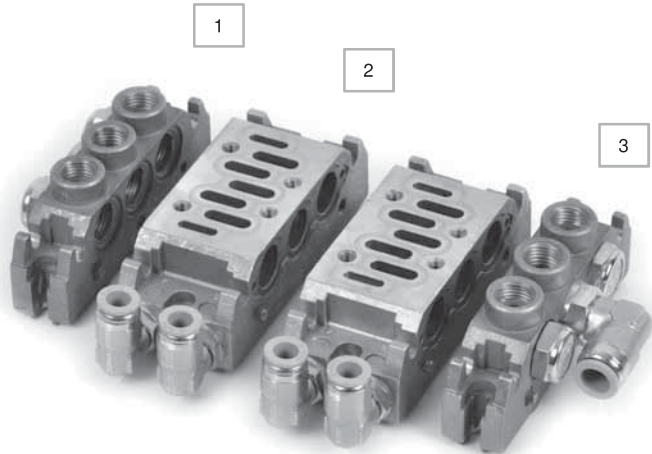
DRAWING (5/3 closed / open center)

DRAWING (5/3 closed / open center with external pilot)



SUB BASES

Details of the bases please see page 2.88



Codes ..

- SMVPLI100010014 for 1/4"
- SMVPLI100010038 for 3/8"
- SMVPLI100010012 for 1/2"

Codes ..

- SMVPLI100GP0000 for entry base (1)
- SMVPLI100OP0000 for middle base (2)
- SMVPLI100CP0000 for end base (3)

ACCESSORIES & SPARE PARTS



COILS & SOCKETS
(page 2.105)



O- RING KIT
For ISO 1

Cod. SMV0101

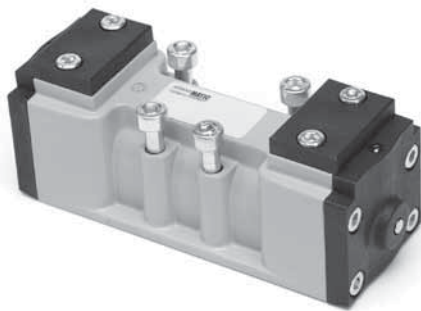


Cnomo pilot
9 mm plunger + body

Cod. SMV0103

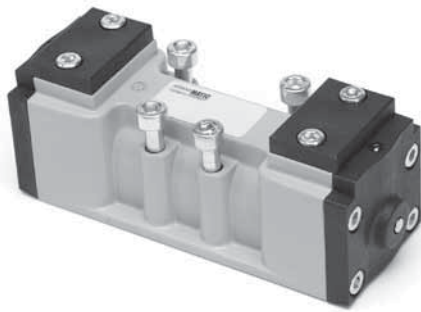
5/2 – ISO 1 PILOT VALVE (spring return / bistable)

5/2 – ISO 1 PILOT VALVE (spring return)



- * Flow rate is 1100 NI / min. at 6 bar .
- * Max working pressure is 10 bar .
- * Aluminium body.
- * Manuel push button integrated to the covers
- * Spool with spring return (with single solenoid)
- * Same body for 5/2 and 5/3 way valves
- * Min. working pressure is 1 bar (with bistable version)
- * Suitable for non oily applications.

5/2 – ISO 1 PILOT VALVE (bistable)



ORDERING CODES for a VALVE

5/2 – ISO 1 PILOT VALVE (spring return) : SMV5201HY00M00
 5/2 – ISO 1 PILOT VALVE (bistable) : SMV5201HH00M00

Fluid	: Compressed filtered air with or without lubrication
	If lubrication used at ones must be continious .
Pressure range	: min.2 bar - max. 10 bar spring return / min. 1 bar – max. 10 bar bistable
Temperature range	: - 10 °C / + 60 °C
Version	: 5/2 – ISO 1 pilot valve spring return / bistable

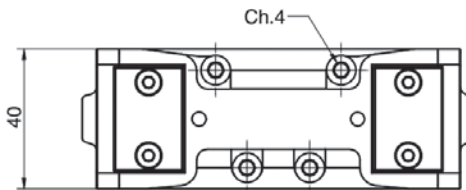
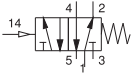
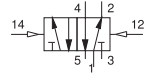
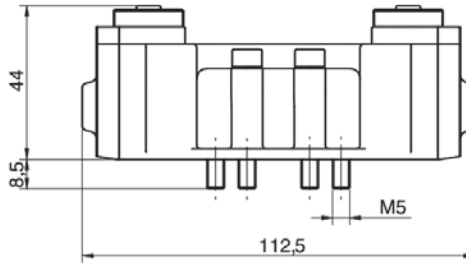
Materials

Covers	: Technopolimer
spool	: hard aluminium anodized
Seals	: NBR
Body	: Painted aluminium (grey color)

Orifice	: 8 mm
Mounting	: In any position
Flow rate	: 1.100 NI/ min at 6 bar
Cycle per min.	: 120 cycle / min. for bistable 130 cycle / min. (depends upon the signal inlet and outlet)
Vacuum	: Suitable

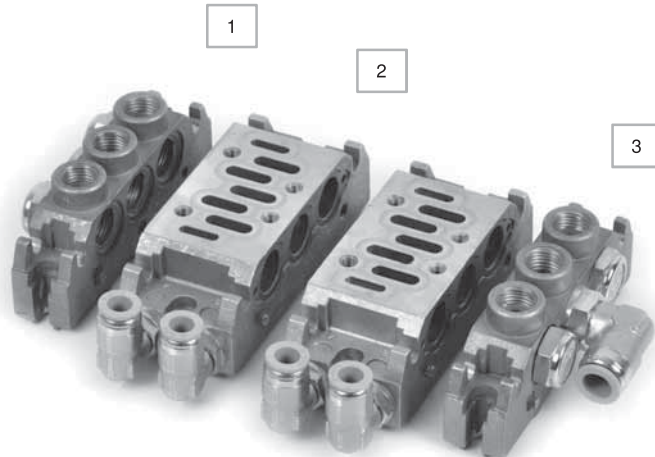
DRAWING (5/2 spring return)

DRAWING (5/2 bistable)



SUB BASES

Details of the bases please see page 2.88



Codes ..

SMVPLI100010014 for 1/4"
 SMVPLI100010038 for 3/8"
 SMVPLI100010012 for 1/2"

Codes ..

SMVPLI100GP0000 for entry base (1)
 SMVPLI100OP0000 for middle base (2)
 SMVPLI100CP0000 for end base (3)

ACCESSORIES & SPARE PARTS



O- RING KIT
 For ISO 1

Cod. SMV0101

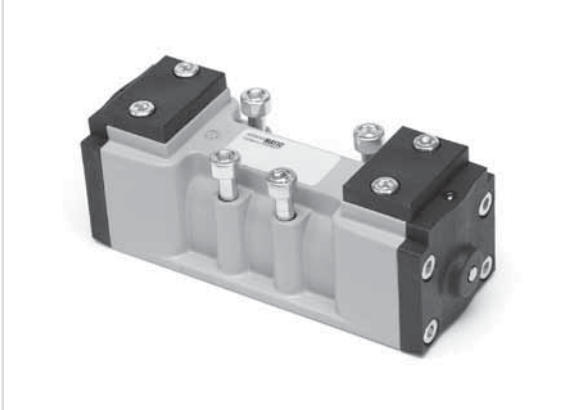
5/3 ISO 1 PILOT VALVE (open center / closed center)

5/3 – ISO 1 DOUBLE SOLENOID (closed center / external pilot)



- * Flow rate is 1100 NI / min. at 6 bar .
- * Max working pressure is 10 bar .
- * Aluminium body.
- * Voltages are 24 v dc – 24 v ac – 110 v ac – 220 v ac
- * Spool with spring return
- * Same body for 5/2 and 5/3 way valves
- * Min. working pressure is 2 bar
- * Suitable for non oily applications.

5/3 – ISO 1 DOUBLE SOLENOID (open center / external pilot)



ORDERING CODES for a VALVE

5/3 – ISO 1 PILOT / PILOT C.C. : SMV5301HH00MKM
 5/3 – ISO 1 PILOT / PILOT O.C. : SMV5301HH00MAM

Fluid : Compressed filtered air with or without lubrication

If lubrication used at ones must be continuous .

Pressure range : min.2 bar - max. 10 bar

Temperature range : - 10 °C / + 60 °C

Version : 5/3 – ISO 1 Pilot spring return / bistable

Materials

Covers : Technopolimer

spool : hard aluminium anodized

Seals : NBR

Body : Painted aluminium (grey color)

Orifice : 8 mm

Mounting : In any position

Flow rate : 1.100 NI/ min at 6 bar

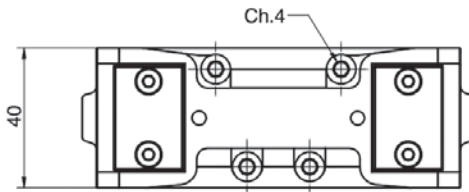
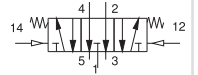
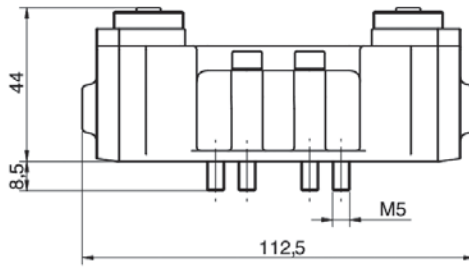
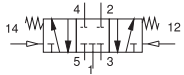
Cycle per min. : 120 cycle / min (from port 2 or port 4 to neutral position)

Vacuum : Suitable

5/3 ISO 1 PILOT VALVE (open center / closed center)

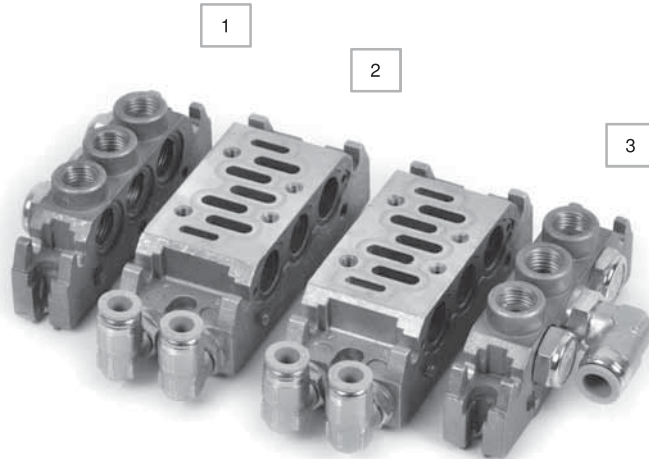
DRAWING (5/3 closed center)

DRAWING (5/3 open center)



SUB BASES

Details of the bases please see page 2.88



Codes ..

- SMVPLI100010014 for 1/4"
- SMVPLI100010038 for 3/8"
- SMVPLI100010012 for 1/2"

Codes ..

- SMVPLI100GP0000 for entry base (1)
- SMVPLI100OP0000 for middle base (2)
- SMVPLI100CP0000 for end base (3)

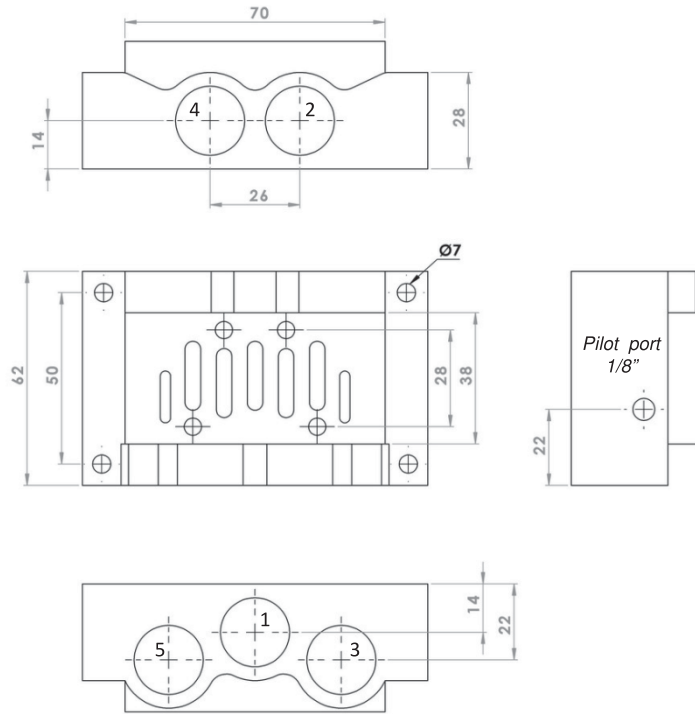
ACCESSORIES & SPARE PARTS



O- RING KIT
For ISO 1

Cod. SMV0101

DRAWING of SINGLE BASE

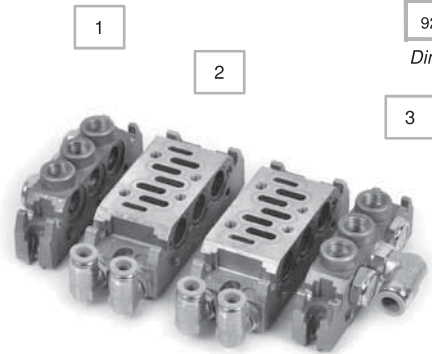


Codes ..

- SMVPLI100010014 for 1/4" (1 . 3 . 5 / 2 . 4)
- SMVPLI100010038 for 3/8" (1 . 3 . 5 / 2 . 4)
- SMVPLI100010012 for 1/2" (1 . 3 . 5 / 2 . 4)

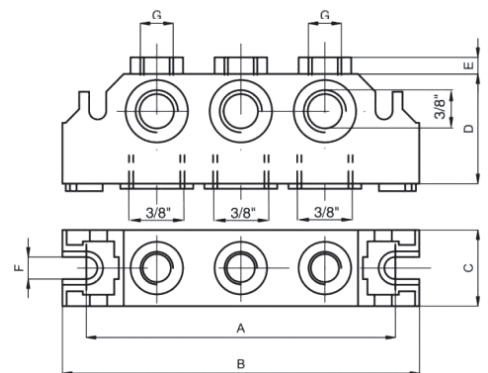
(1 - 3 - 5 / 2 - 4) 1/4" or 3/8" or 1/2"

DRAWING of MULTI BASE



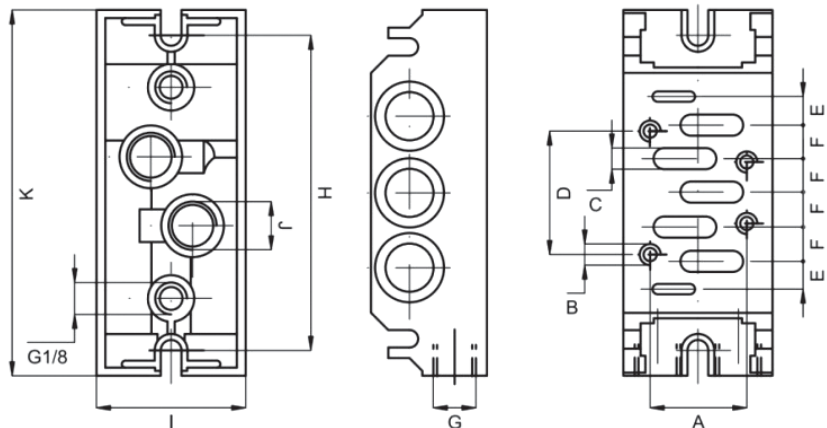
A	B	C	D	E	F	G
92	106	22	36	8	5,5	1/4"

Dimension of entry - end base (1 - 3)



A	B	C	D	E	F	G	H	I	J	K
28	M5	4,5	36	8,5	9	1/4"	92	43	1/4"	106

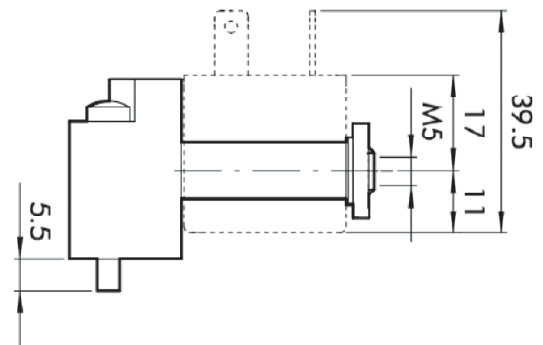
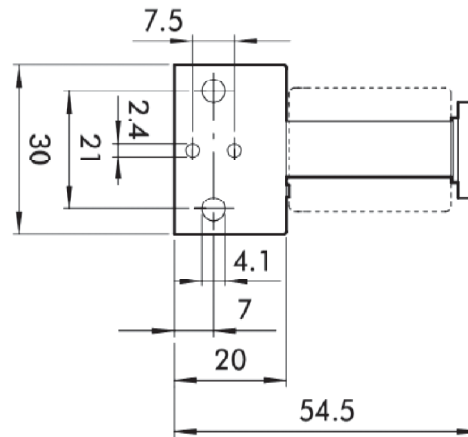
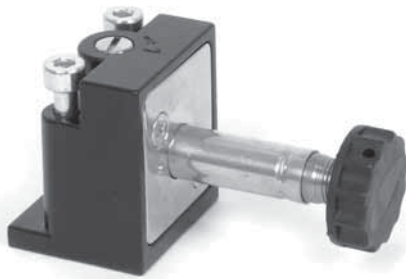
Dimension of middle base (2)



Codes ..

- SMVPLI100GP0000 for entry base (1)
- SMVPLI100OP0000 for middle base (2)
- SMVPLI100CP0000 for end base (3)

CNOMO SOLENOID



Technical details ..

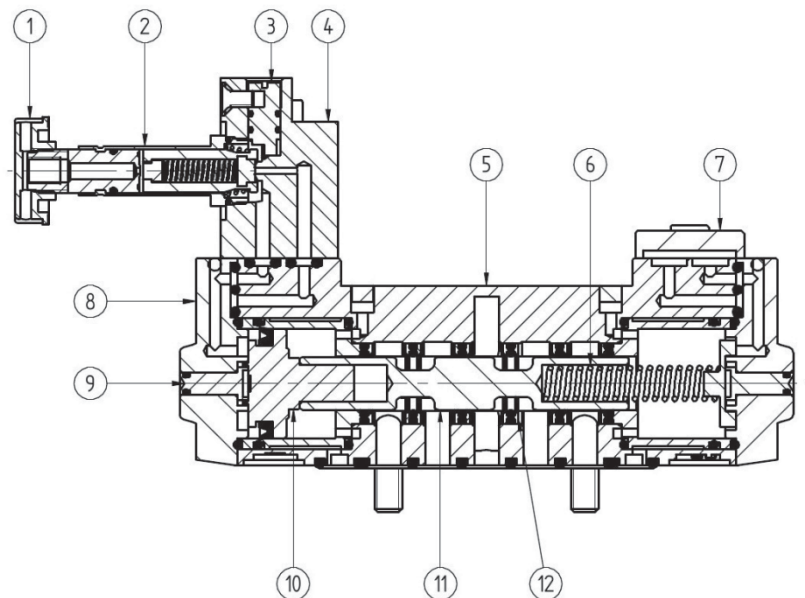
3/2 – N.C. Brass tube and nucleus
 Ø 9 mm brass tube
 Detendet manuel override with
 screw driver
 Supplied with two special screw

Code ..

SMV0103

INTERNAL VIEW OF ISO 2 VALVE

- 1) Plastic tap for coil
- 2) Brass tube & nucleus
- 3) Manuel override
- 4) Cnomo solenoid (Al.)
- 5) Valve body (Al. grey painted)
- 6) Stainless steel spring
- 7) Tecnopolimer position cap
- 8) Valve caps
- 9) Manuel reset
- 10) Piston for spool
- 11) Spool of the valve
- 12) NBR gaskets



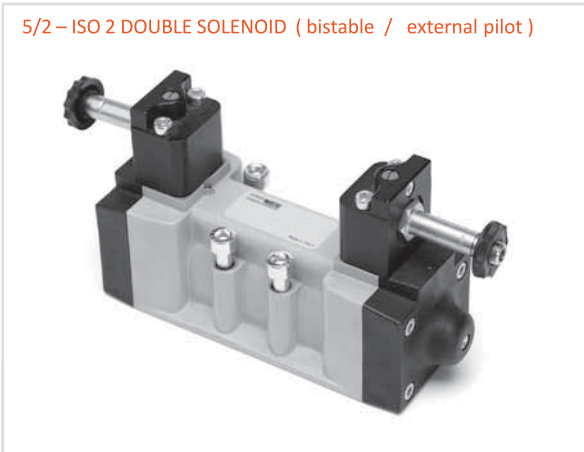
ISO 5599 – 1 SIZE 2 5/2 SOLENOID VALVES (spring return / bistable / external pilot)

5/2 – ISO 2 SINGLE SOLENOID (spring return / external pilot)



- * Flow rate is 2900 NI / min. at 6 bar .
- * Max working pressure is 10 bar .
- * Aluminium body.
- * Voltages are 24 v dc – 24 v ac – 110 v ac – 220 v ac
- * Spool with spring return (with single solenoid)
- * CNOMO pilot with manuel override detended
- * Min. working pressure is 1 bar (with bistable version)
- * Suitable for non oily applications.

5/2 – ISO 2 DOUBLE SOLENOID (bistable / external pilot)



ORDERING CODES for a VALVE

5/2 – ISO 2 SINGLE SOLENOID	:	SMV5202TB00M00
5/2 – ISO 2 SINGLE SOLENOID external pilot	:	SMV5202TBDPM00
5/2 – ISO 2 BISTABLE	:	SMV5202CB00M00
5/2 – ISO 2 BISTABLE external pilot	:	SMV5202CBDPM00

Internal modification needed for the external pilot versions .

Fluid : Compressed filtered air with or without lubrication

If lubrication used at ones must be continious .

Pressure range : min.2,5 bar - max. 10 bar spring return / min. 1 bar – max. 10 bar bistable

Temperature range : - 10 °C / + 60 °C

Version : 5/2 – ISO 2 spring return / external pilot / bistable

Materials

Covers : Technopolimer

spool : hard aluminium anodized

Seals : NBR

Body : Painted aluminium (grey color)

Orifice : 15 mm

Mounting : In any position

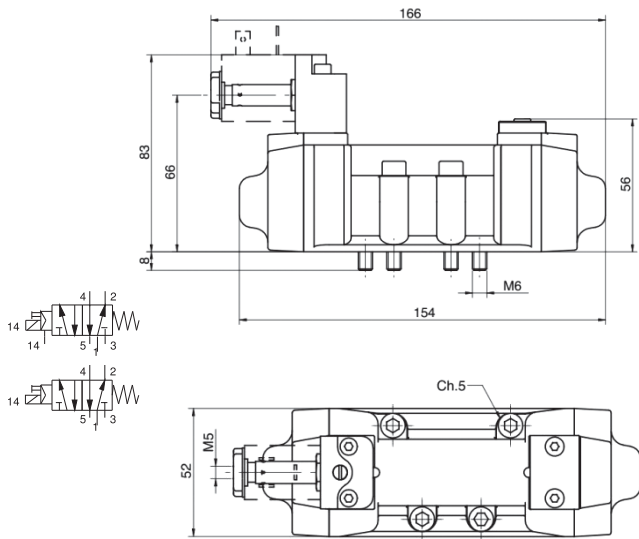
Flow rate : 2.900 NI/ min at 6 bar

Cycle per min. : 100 cycle / min. for bistable 110 cycle / min.

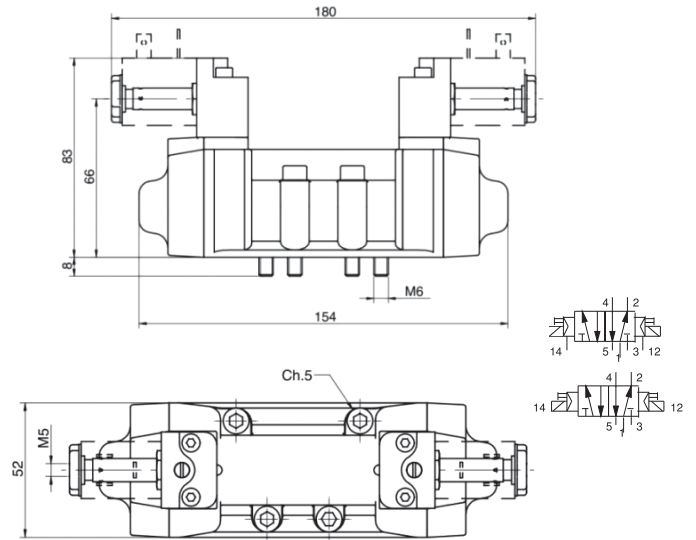
Vacuum : Suitable with external pilot version

5/2 ISO 2 SOLENOID VALVES (spring return / bistable / external pilot)

DRAWING (5/2 spring return / external pilot)

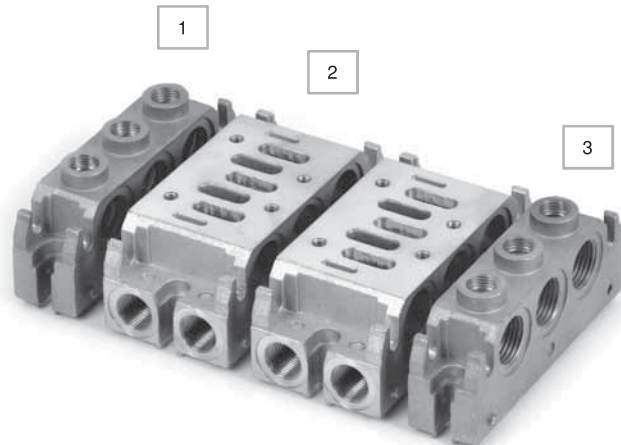


DRAWING (5/2 bistable / external pilot)



SUB BASES

Details of the bases please see page 2.88



Codes ..

- SMVPLI200010038 for 3/8"
- SMVPLI200010012 for 1/2"
- SMVPLI200010034 for 3/4"

Codes ..

- SMVPLI200GP0000 for entry base (1)
- SMVPLI200OP0000 for middle base (2)
- SMVPLI200CP0000 for end base (3)

ACCESSORIES & SPARE PARTS



COILS & SOCKETS
(page 2.105)



O- RING KIT
For ISO 2

Cod. SMV0201

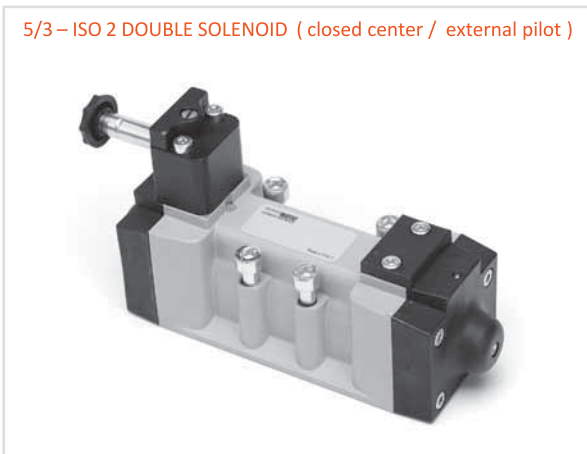


Cnomo pilot
9 mm plunger + body

Cod. SMV0103

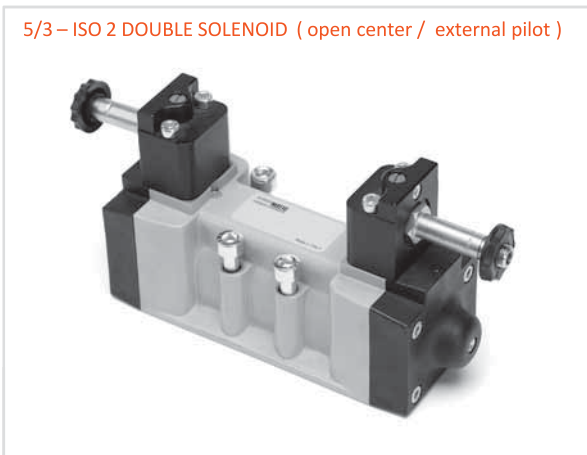
5/3 ISO 2 DOUBLE SOLENOID VALVES (open center / closed center / external pilot)

5/3 – ISO 2 DOUBLE SOLENOID (closed center / external pilot)



- * Flow rate is 2.900 NI / min. at 6 bar .
- * Max working pressure is 10 bar .
- * Aluminium body.
- * Voltages are 24 v dc – 24 v ac – 110 v ac – 220 v ac
- * Spool with spring return
- * CNOMO pilot with manuel override detended
- * Min. working pressure is 2,5 bar
- * Suitable for non oily applications.

5/3 – ISO 2 DOUBLE SOLENOID (open center / external pilot)



ORDERING CODES for a VALVE

5/3 – ISO 2 DOUBLE SOLENOID	C.C	:	SMV5302CB00MKM
5/3 – ISO 2 DOUBLE SOLENOID	C.C. external pilot	:	SMV5302CBDPMKM
5/3 – ISO 2 DOUBLE SOLENOID	O.C.	:	SMV5302CB00MAM
5/3 – ISO 2 DOUBLE SOLENOID	O.C. external pilot	:	SMV5302CBDPMAM

Internal modification needed for the external pilot versions .

Fluid : Compressed filtered air with or without lubrication

If lubrication used at ones must be continious .

Pressure range : min.2,5 bar - max. 10 bar

Temperature range : - 10 °C / + 60 °C

Version : 5/3 – ISO 2 double solenoid / closed center / open center / external pilot

Materials

Covers : Technopolimer

spool : hard aluminium anodized

Seals : NBR

Body : Painted aluminium (grey color)

Orifice : 15 mm

Mounting : In any position

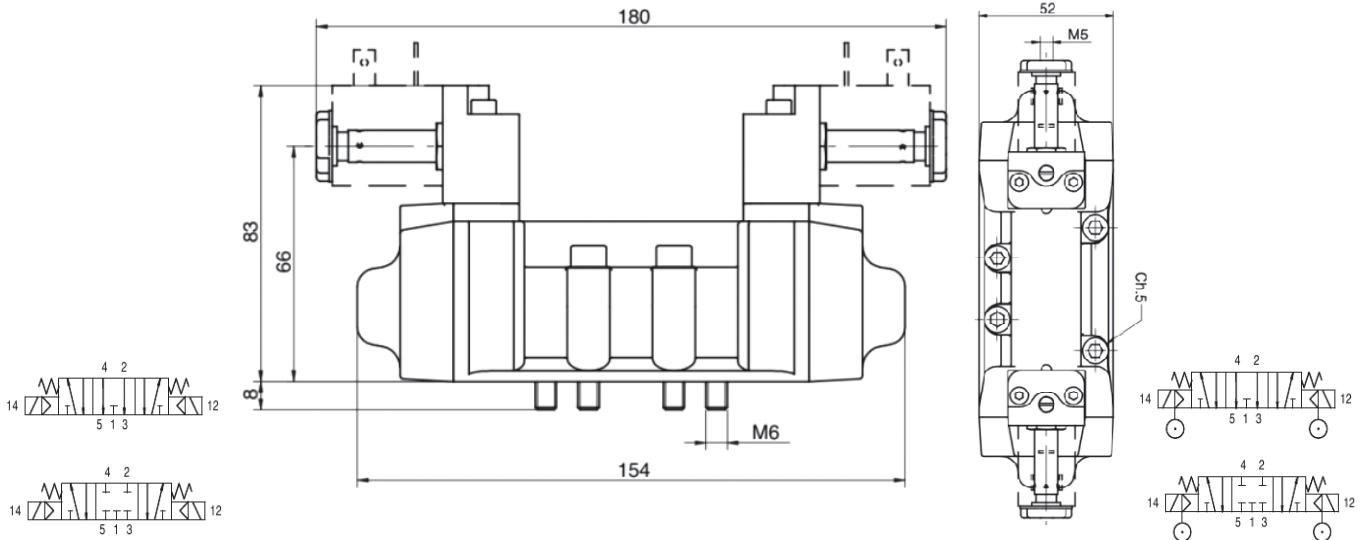
Flow rate : 2.900 NI/ min at 6 bar

Cycle per min. : 100 cycle / min (from port 2 or port 4 to neutral position)

Vacuum : Suitable with external pilot version

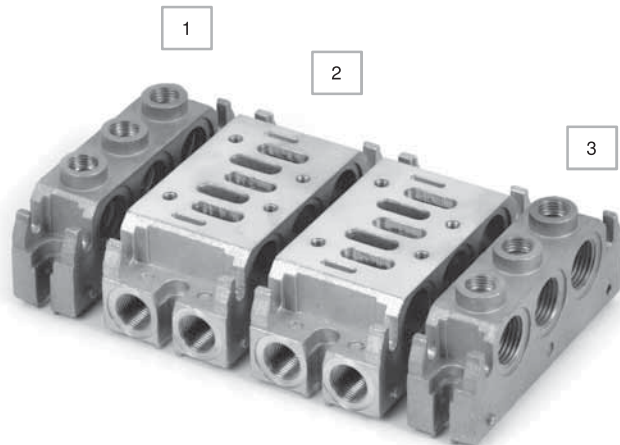
DRAWING (5/3 closed / open center)

DRAWING (5/3 closed / open center with external pilot)



SUB BASES

Details of the bases please see page 2.88



Codes ..

- SMVPLI200010038 for 3/8"
- SMVPLI200010012 for 1/2"
- SMVPLI200010034 for 3/4"

Codes ..

- SMVPLI200GP0000 for entry base (1)
- SMVPLI200OP0000 for middle base (2)
- SMVPLI200CP0000 for end base (3)

ACCESSORIES & SPARE PARTS

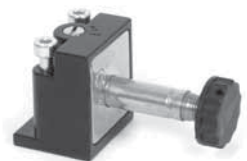


COILS & SOCKETS
(page 2.105)



O- RING KIT
For ISO 2

Cod. SMV0201

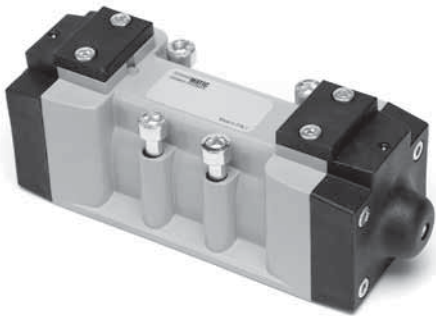


Cnomo pilot
9 mm plunger + body

Cod. SMV0103

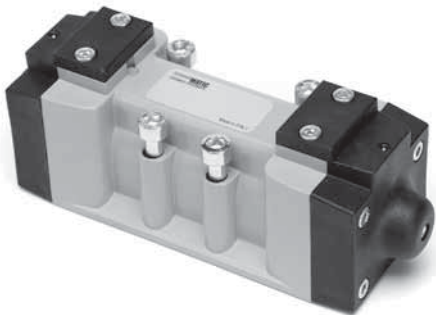
5/2 – ISO 2 PILOT VALVE (spring return / bistable)

5/2 – ISO 12 PILOT VALVE (spring return)



- * Flow rate is 2.900 NI / min. at 6 bar .
- * Max working pressure is 10 bar .
- * Aluminium body.
- * Manuel push button integrated to the covers
- * Spool with spring return (with single solenoid)
- * Same body for 5/2 and 5/3 way valves
- * Min. working pressure is 1 bar (with bistable version)
- * Suitable for non oily applications.

5/2 – ISO 2 PILOT VALVE (bistable)



ORDERING CODES for a VALVE

5/2 – ISO 2 PILOT VALVE (spring return) : SMV5202HY00M00
 5/2 – ISO 2 PILOT VALVE (bistable) : SMV5202HH00M00

Fluid : Compressed filtered air with or without lubrication

If lubrication used at ones must be continious .

Pressure range : min.2,5 bar - max. 10 bar spring return / min. 1 bar – max. 10 bar bistable

Temperature range : - 10 °C / + 60 °C

Version : 5/2 – ISO 2 pilot valve spring return / bistable

Materials

Covers : Technopolimer

spool : hard aluminium anodized

Seals : NBR

Body : Painted aluminium (grey color)

Orifice : 15 mm

Mounting : In any position

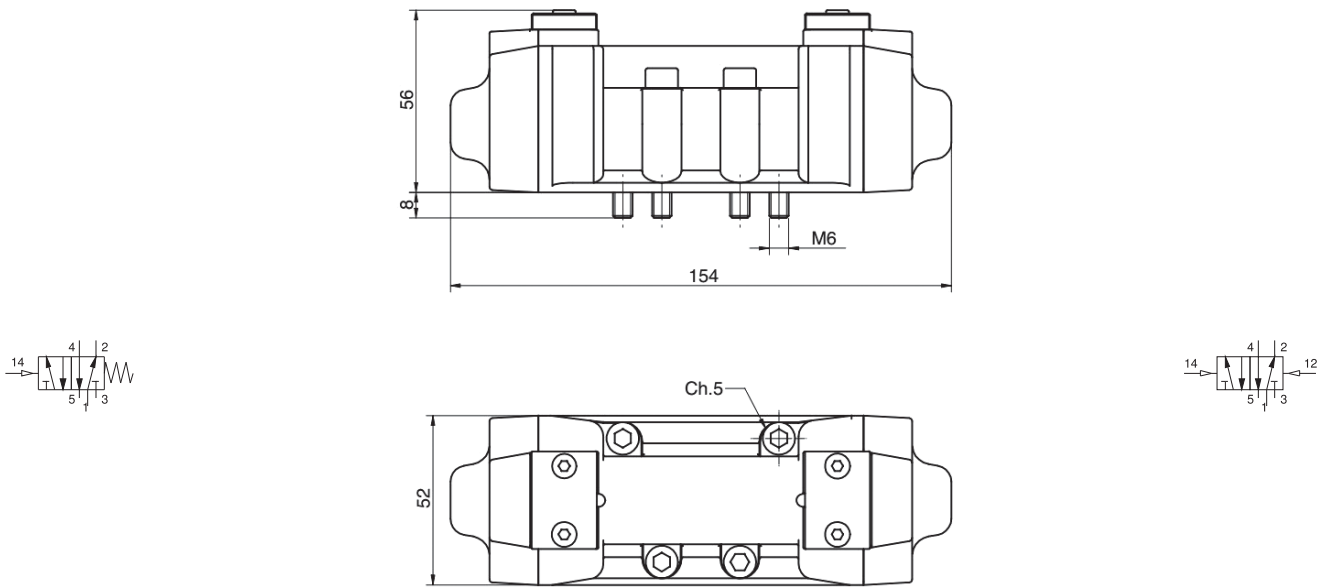
Flow rate : 2.900 NI/ min at 6 bar

Cycle per min. : 100 cycle / min. for bistable 110 cycle / min. (depends upon the signal inlet and outlet)

Vacuum : Suitable

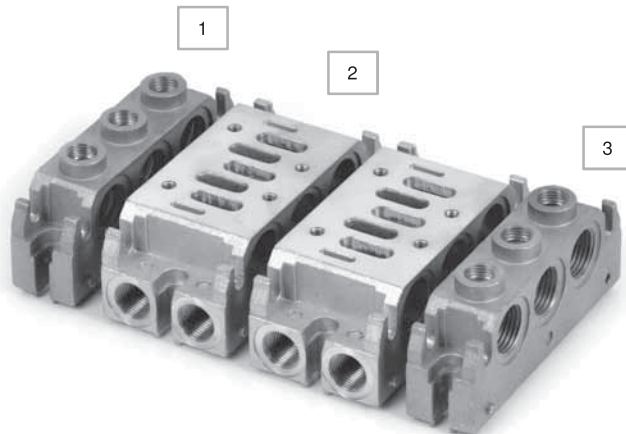
DRAWING (5/2 spring return)

DRAWING (5/2 bistable)



SUB BASES

Details of the bases please see page 98



Codes ..

- SMVPLI200010038 for 3/8"
- SMVPLI200010012 for 1/2"
- SMVPLI200010034 for 3/4"

Codes ..

- SMVPLI200GP0000 for entry base (1)
- SMVPLI200OP0000 for middle base (2)
- SMVPLI200CP0000 for end base (3)

ACCESSORIES & SPARE PARTS

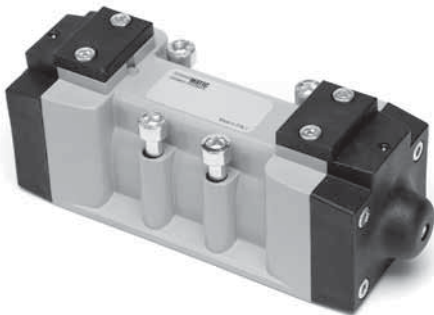


O- RING KIT
For ISO 2

Cod. SMV0201

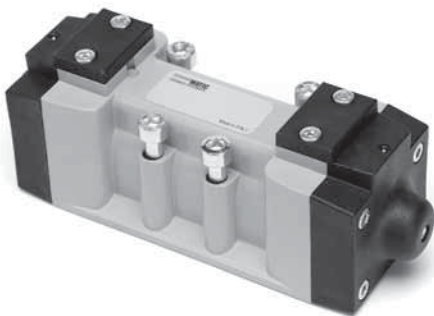
5/3 ISO 2 PILOT VALVE (open center / closed center)

5/3 – ISO 2 DOUBLE SOLENOID (closed center / external pilot)



- * Flow rate is 2.900 NI / min. at 6 bar .
- * Max working pressure is 10 bar .
- * Aluminium body.
- * Voltages are 24 v dc – 24 v ac – 110 v ac – 220 v ac
- * Spool with spring return
- * Same body for 5/2 and 5/3 way valves
- * Min. working pressure is 2,5 bar
- * Suitable for non oily applications.

5/3 – ISO 2 DOUBLE SOLENOID (open center / external pilot)



ORDERING CODES for a VALVE

5/3 – ISO 2 PILOT / PILOT C.C. : SMV5302HH00MKM
 5/3 – ISO 2 PILOT / PILOT O.C. : SMV5302HH00MAM

Fluid : Compressed filtered air with or without lubrication

If lubrication used at ones must be continuous .

Pressure range : min.2 bar - max. 10 bar

Temperature range : - 10 °C / + 60 °C

Version : 5/3 – ISO 2 Pilot spring return / bistable

Materials

Covers : Technopolimer

spool : hard aluminium anodized

Seals : NBR

Body : Painted aluminium (grey color)

Orifice : 15 mm

Mounting : In any position

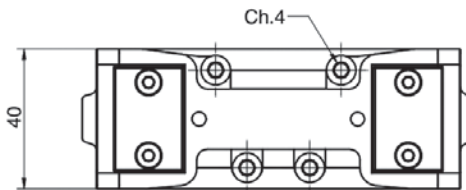
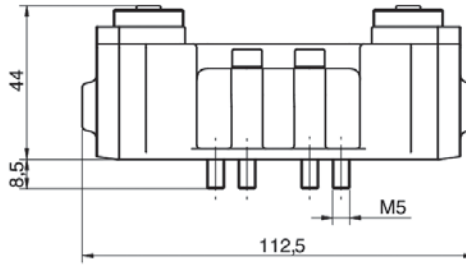
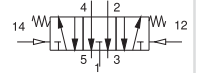
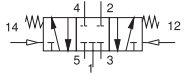
Flow rate : 2.900 NI/ min at 6 bar

Cycle per min. : 100 cycle / min (from port 2 or port 4 to neutral position)

Vacuum : Suitable

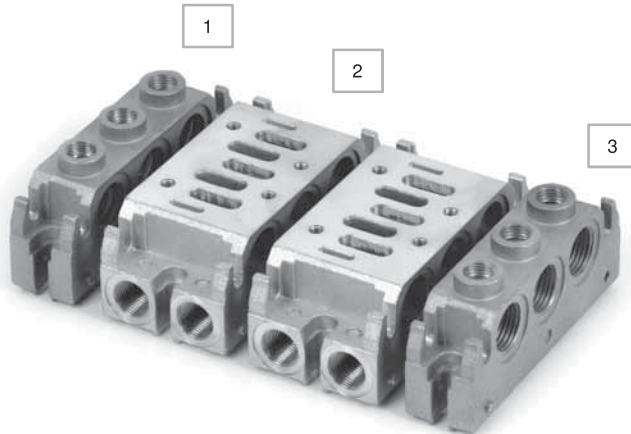
DRAWING (5/3 closed center)

DRAWING (5/3 open center)



SUB BASES

Details of the bases please see page 2.98



Codes ..

- SMVPLI200010038 for 3/8"
- SMVPLI200010012 for 1/2"
- SMVPLI200010034 for 3/4"

Codes ..

- SMVPLI200GP0000 for entry base (1)
- SMVPLI200OP0000 for middle base (2)
- SMVPLI200CP0000 for end base (3)

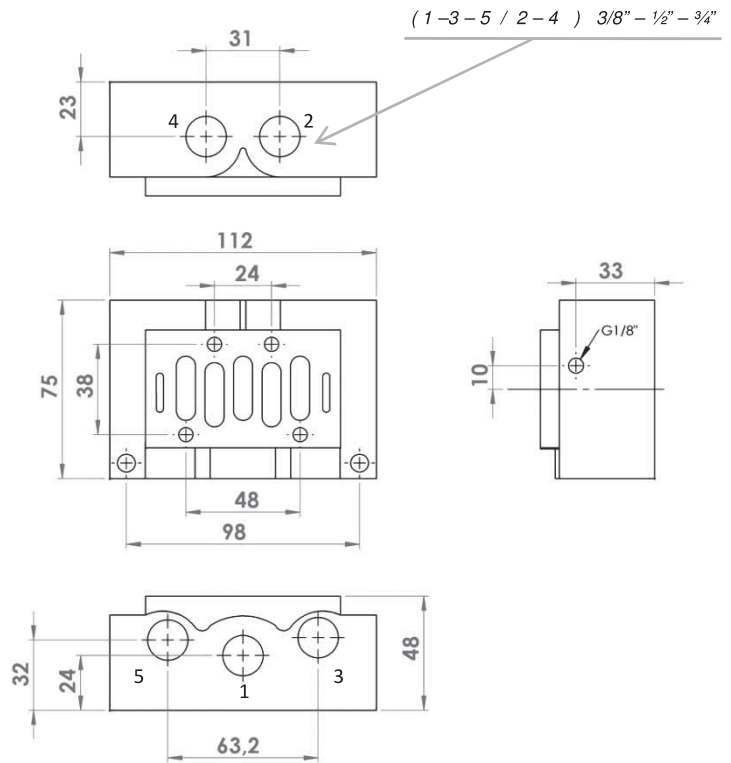
ACCESSORIES & SPARE PARTS



O- RING KIT
For ISO 2

Cod. SMV0201

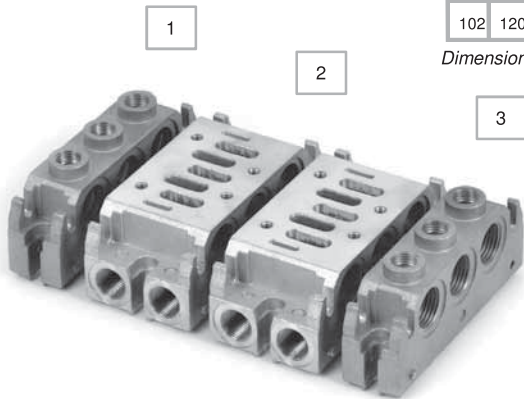
DRAWING of SINGLE BASE



Codes ..

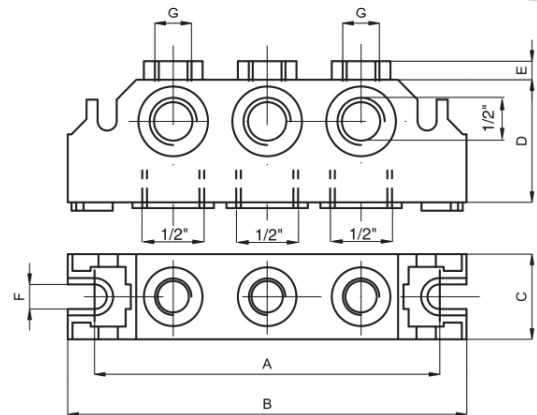
- SMVPLI200010038 for 3/8"
- SMVPLI200010012 for 1/2"
- SMVPLI200010034 for 3/4"

DRAWING of MULTI BASE



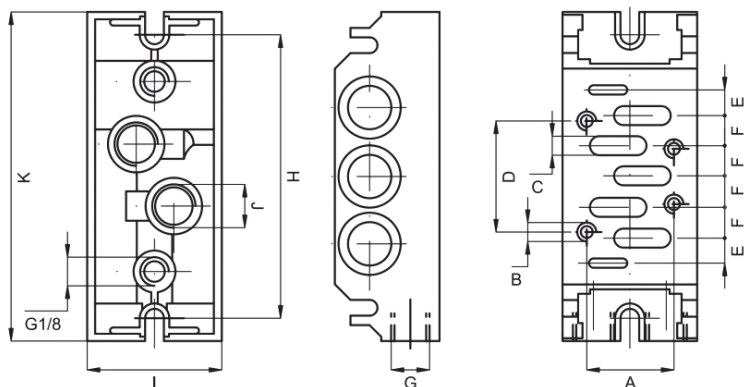
A	B	C	D	E	F	G
102	120	29	43	7	6,5	1/4"

Dimension of entry - end base (1 - 3)



A	B	C	D	E	F	G	H	I	J	K
38	M6	7	48	10	12	3/8"	102	56	3/8"	120

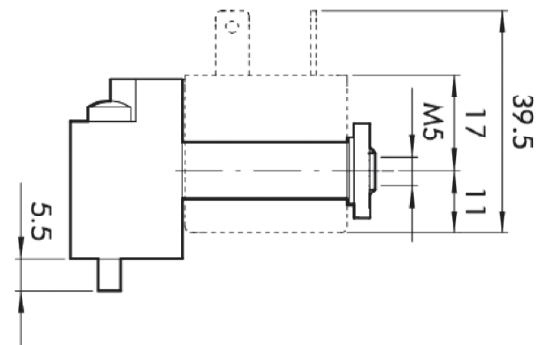
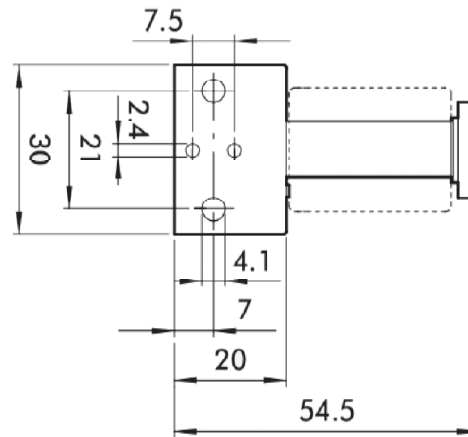
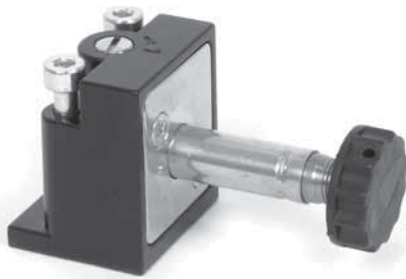
Dimension of middle base (2)



Codes ..

- SMVPLI200GP0000 for entry base (1)
- SMVPLI200OP0000 for middle base (2)
- SMVPLI200CP0000 for end base (3)

CNOMO SOLENOID



Technical details ..

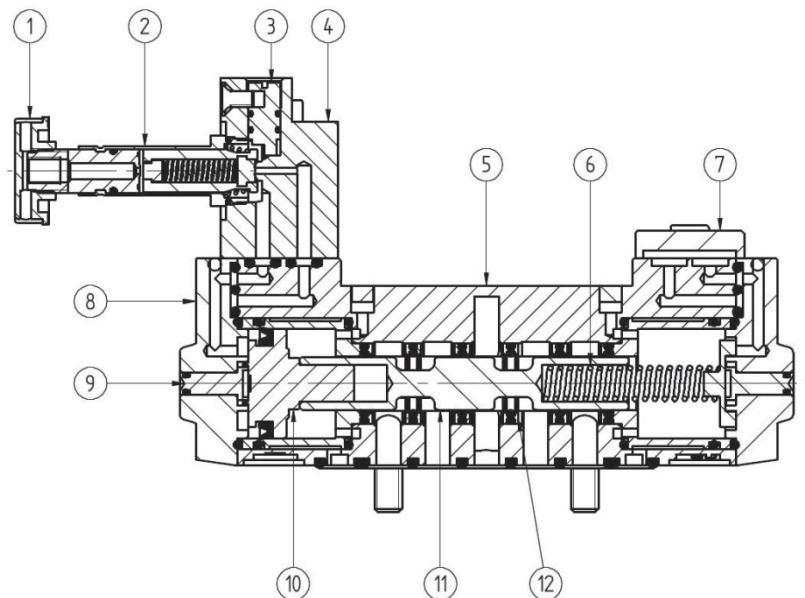
3/2 – N.C. Brass tube and nucleus
 Ø 9 mm brass tube
 Detendet manuel override with
 screw driver
 Supplied with two special screw

Code ..

SMV0103

INTERNAL VIEW OF ISO 2 VALVE

- 1) Plastic tap for coil
- 2) Brass tube & nucleus
- 3) Manuel override
- 4) Cnomo solenoid (Al.)
- 5) Valve body (Al. grey painted)
- 6) Stainless steel spring
- 7) Tecnopolimer position cap
- 8) Valve caps
- 9) Manuel reset
- 10) Piston for spool
- 11) Spool of the valve
- 12) NBR gaskets



ISO 5599 – 1 SIZE 3 5/2 SOLENOID VALVES (spring return / bistable)

5/2 – ISO 3 SINGLE SOLENOID (spring return)



- * Flow rate is 3.500 NI / min. at 6 bar .
- * Max working pressure is 10 bar .
- * Aluminium body.
- * Voltages are 24 v dc – 24 v ac – 110 v ac – 220 v ac
- * Spool with spring return (with single solenoid)
- * CNOMO pilot with manuel override detendet
- * Min. working pressure is 1,5 bar (with bistable version)
- * Suitable for non oily applications.

5/2 – ISO 3 DOUBLE SOLENOID (bistable)



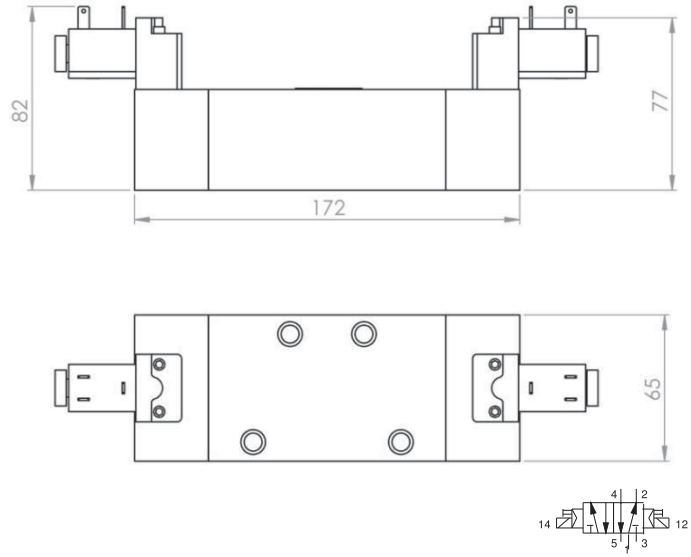
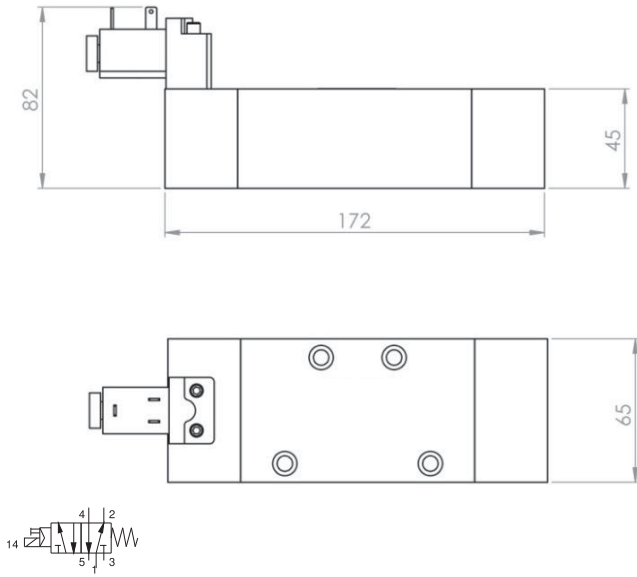
ORDERING CODES for a VALVE

5/2 – ISO 3 SINGLE SOLENOID : SMV5203TB00M00
 5/2 – ISO 3 BISTABLE : SMV5203CB00M00

Fluid	: Compressed filtered air with or without lubrication
	If lubrication used at ones must be continious .
Pressure range	: min.2 bar - max. 10 bar spring return / min. 1,5 bar – max. 10 bar bistable
Temperature range	: - 10 °C / + 60 °C
Version	: 5/2 – ISO 3 spring return / external pilot / bistable
Materials	
Covers	: Anodized aluminium
spool	: hard aluminium anodized
Seals	: NBR
Body	: Anodized aluminium
Orifice	: 21 mm
Mounting	: In any position
Flow rate	: 3.500 NI/ min at 6 bar
Cycle per min.	: 60 cycle / min. for bistable 70 cycle / min.
Vacuum	: Not suitable

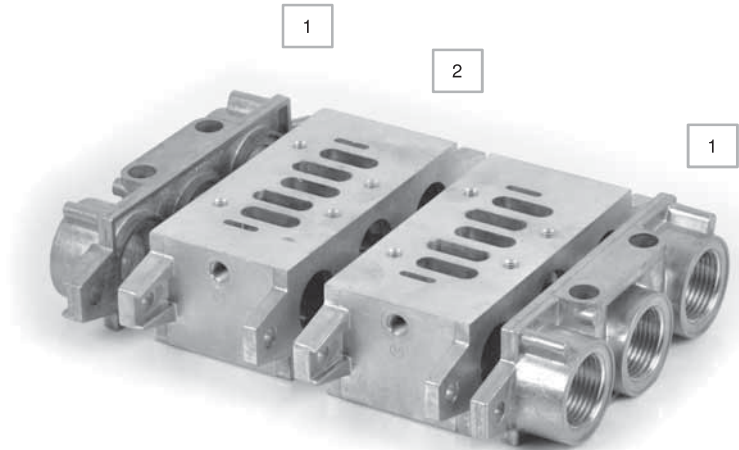
DRAWING (5/2 spring return)

DRAWING (5/2 bistable)



SUB BASES

Details of the bases please see page 2.104



Codes ..

- SMVPLI300010012 for 1/2"
- SMVPLI300010034 for 3/4"
- SMVPLI300010001 for 1"

Codes ..

- SMVPLI300GCP000 for entry & end base (1)
- SMVPLI300OP0000 for middle base (2)

ACCESSORIES & SPARE PARTS



COILS & SOCKETS
(page 2.105)

Cnomo pilot
9 mm plunger + body

Cod SMV0103

5/3 ISO 3 DOUBLE SOLENOID VALVES (open center / closed center)

5/3 – ISO 3 DOUBLE SOLENOID (closed center)



- * Flow rate is 3.500 NI / min. at 6 bar .
- * Max working pressure is 10 bar .
- * Aluminium body.
- * Voltages are 24 v dc – 24 v ac – 110 v ac – 220 v ac
- * Spool with spring return
- * CNOMO pilot with manuel override detendet
- * Min. working pressure is 3,5 bar
- * Suitable for non oily applications.

5/3 – ISO 3 DOUBLE SOLENOID (open center)



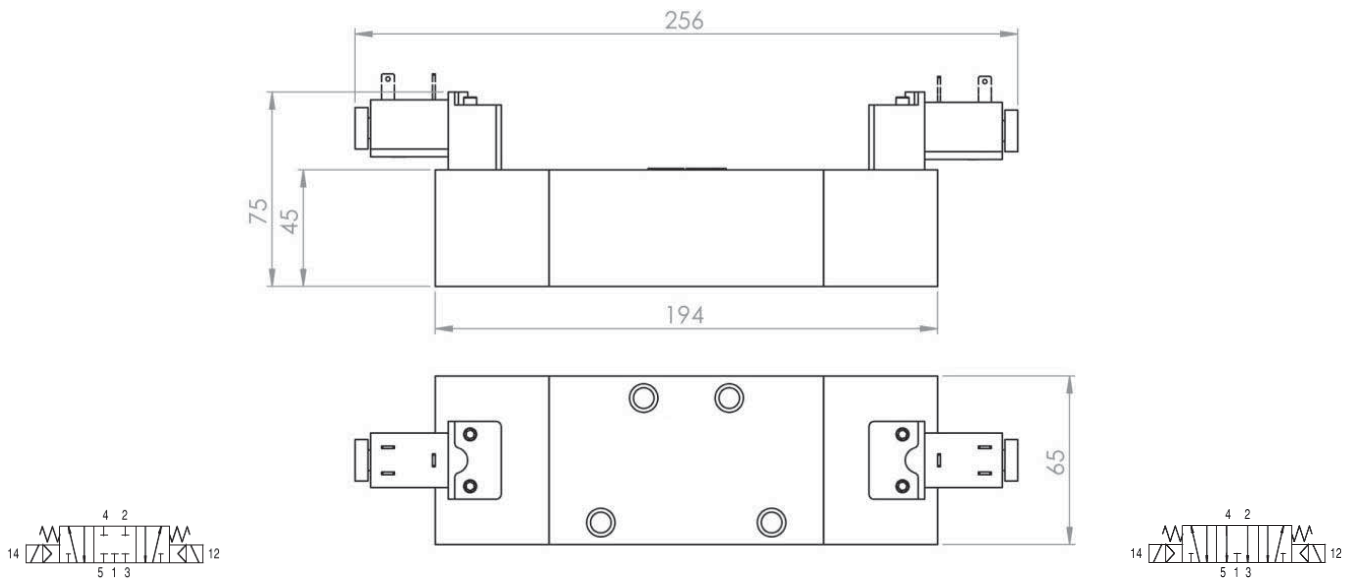
ORDERING CODES for a VALVE

5/3 – ISO 3 DOUBLE SOLENOID C.C	:	SMV5303CB00MKM
5/3 – ISO 3 DOUBLE SOLENOID O.C.	:	SMV5303CB00MAM

Fluid	:	Compressed filtered air with or without lubrication
		If lubrication used at ones must be continious .
Pressure range	:	min.3 bar - max. 10 bar
Temperature range	:	- 10 °C / + 60 °C
Version	:	5/3 – ISO 3 double solenoid / closed center / open center
Materials		
	Covers	: Anodized aluminium
	spool	: hard aluminium anodized
	Seals	: NBR
	Body	: Anodized aluminium
Orifice	:	21 mm
Mounting	:	In any position
Flow rate	:	3.500 NI/ min at 6 bar
Cycle per min.	:	60 cycle / min (from port 2 or port 4 to neutral position)
Vacuum	:	Not suitable

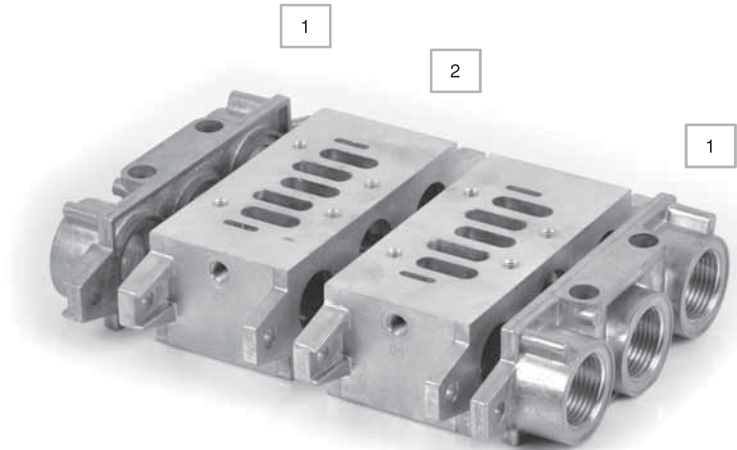
DRAWING (5/3 closed center)

DRAWING (5/3 open center)



SUB BASES

Details of the bases please see page 2.104



Codes ..

- SMVPLI300010012 for 1/2"
- SMVPLI300010034 for 3/4"
- SMVPLI300010001 for 1"

Codes ..

- SMVPLI300GCP000 for entry & end base (1)
- SMVPLI300OP0000 for middle base (2)

ACCESSORIES & SPARE PARTS

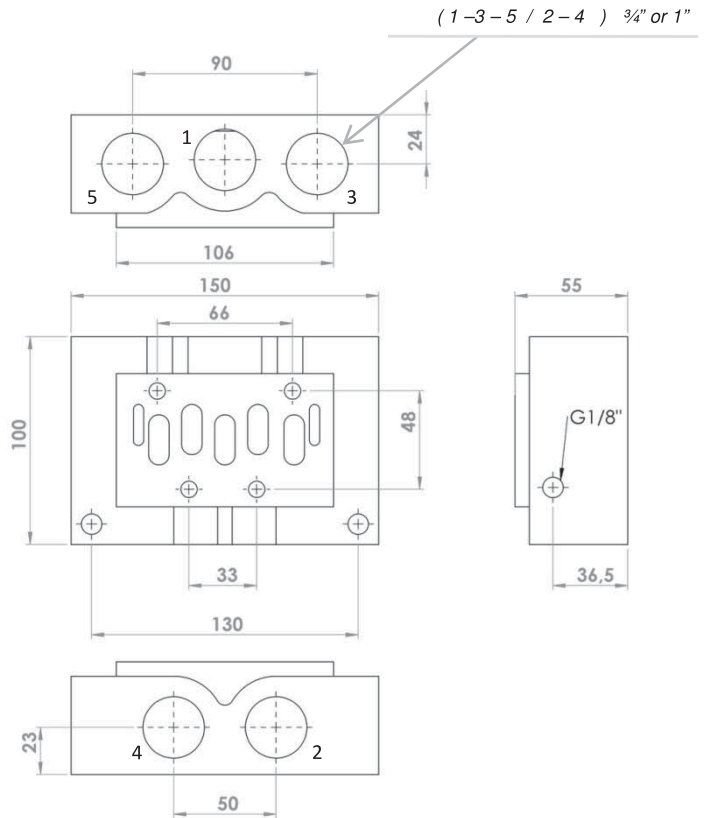


COILS & SOCKETS
(page 2.105)

Chomo pilot
9 mm plunger + body

Cod SMV0103

DRAWING of SINGLE BASE



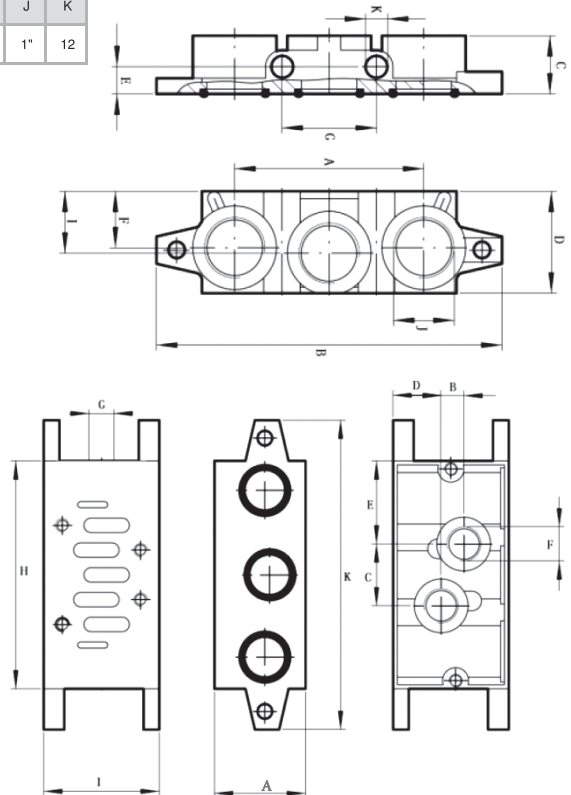
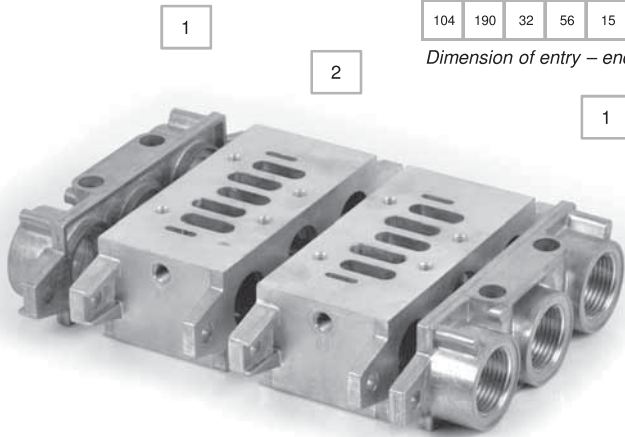
Codes ..

- SMVPLI300010012 for 1/2"
- SMVPLI300010034 for 3/4"
- SMVPLI300010001 for 1"

DRAWING of MULTI BASE

A	B	C	D	E	F	G	I	J	K
104	190	32	56	15	31	52	34	1"	12

Dimension of entry – end base (1)



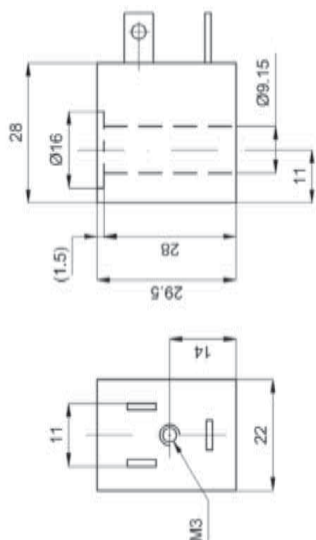
A	B	C	D	E	F	G	H	I	K
56	14	38	29,5	51	1/2"	1/8"	140	71	190

Dimension of middle base (2)

Codes ..

- SMVPLI300GCP000 for entry & end base (1)
- SMVPLI300OP0000 for middle base (2)

COILS

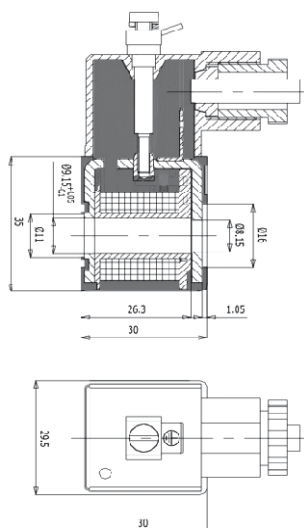


	For DC	For AC
Voltage tolerance	+ / - 10 %	+ / - 10 %
Electrical Consumption	3W	4.2 VA
Frequenzy	-	50 / 60 Hz.
Voltages	24	24 - 110 - 220
Duty cycle	% 100 ED	
Temperature range	- 15 °C / + 50 °C	
Coil size	22 mm wide / suitable for 9 mm brass tube	
Terminal / Class	AMP 6,3 x 0,8 / F Class	

ORDERING CODES

SMB220900024DC	for 24 V DC
SMB220900024AC	for 24 V AC
SMB220900220AC	for 220 V AC
SMB220900110AC	for 110 V AC

EXPROOF COILS

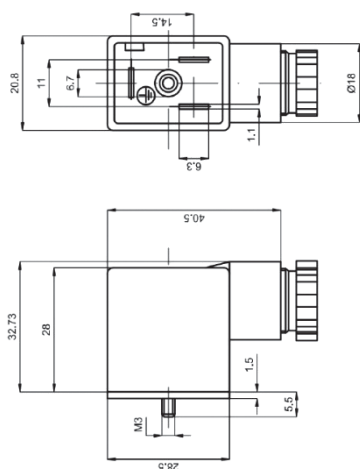


	For DC	For AC
Voltage tolerance	+ / - 10 %	
Electrical Consumption	3W	3.2 VA
Frequenzy	-	50 / 60 Hz.
Voltage	24	220
Duty cycle	% 100 ED	
Temperature range	- 15 °C / + 50 °C	
Coil size	30 mm wide / suitable for 9 mm brass tube	
Conformity	94 / 9 / EC (group 2)	
Cable length	3 Meter	
Certificate	ATEX II2 GD Eexm II T5	

ORDERING CODES

SMB3009EX024DC	for 24 V DC
SMB3009EX022AC	for 220 V AC

SOCKETS

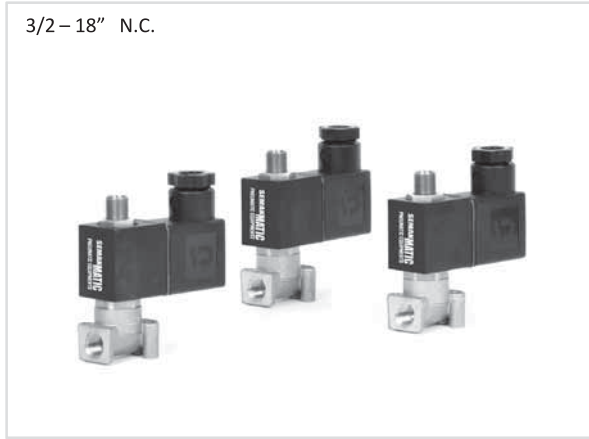


	Standart	24 v /220 v ac
Color	Black	transparent
Led color	-	Red
Protection	-	only with 24 v
Temperature range	- 15 °C / + 50 °C	
Socket size	22 mm wide	
Terminal	AMP 6,3 x 0,8	

ORDERING CODES

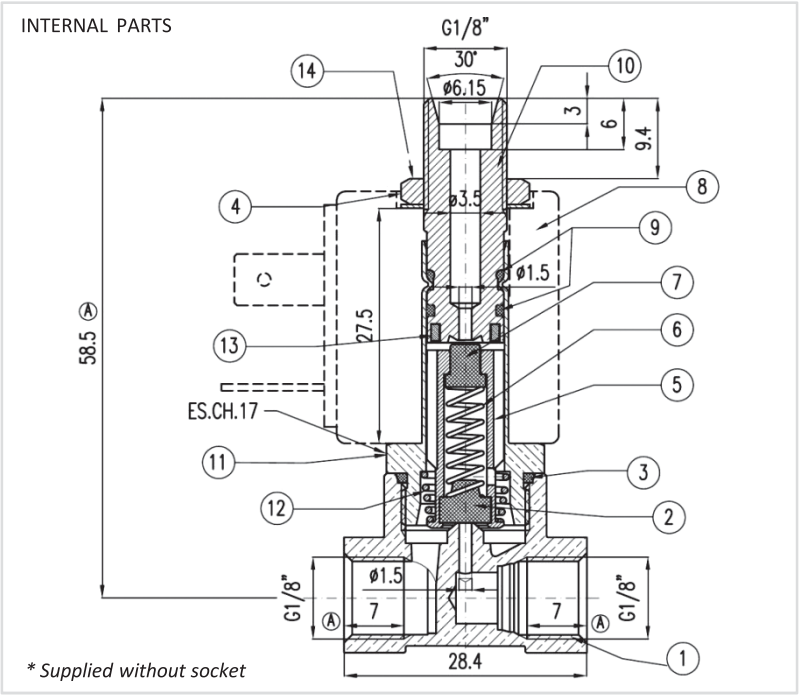
SMBS22LED220AC	for 22 mm 220 v ac led
SMBS22LED24V00	for 22 mm 24 v ac dc led
SMBS2200000000	for 22 mm standart socket

1/8" BRASS VALVE (3/2 - N.C.)



DETAIL of THE INTERNAL PARTS

- 14. LOCKING WASHER
- 13. SHADING RING
- 12. CONICAL RING
- 11. SLEEVE
- 10. FIXED CORE
- 9. O – RING for SLEEVE
- 8. COIL
- 7. UPPER GASKET
- 6. CILINDRICAL SPRING
- 5. MOBILE PLUNGER
- 4. CONICAL ELASTIC WASHER
- 3. TIGHTNESS RING FOR SLEEVE
- 2. LOWER GASKET
- 1. BODY (brass)



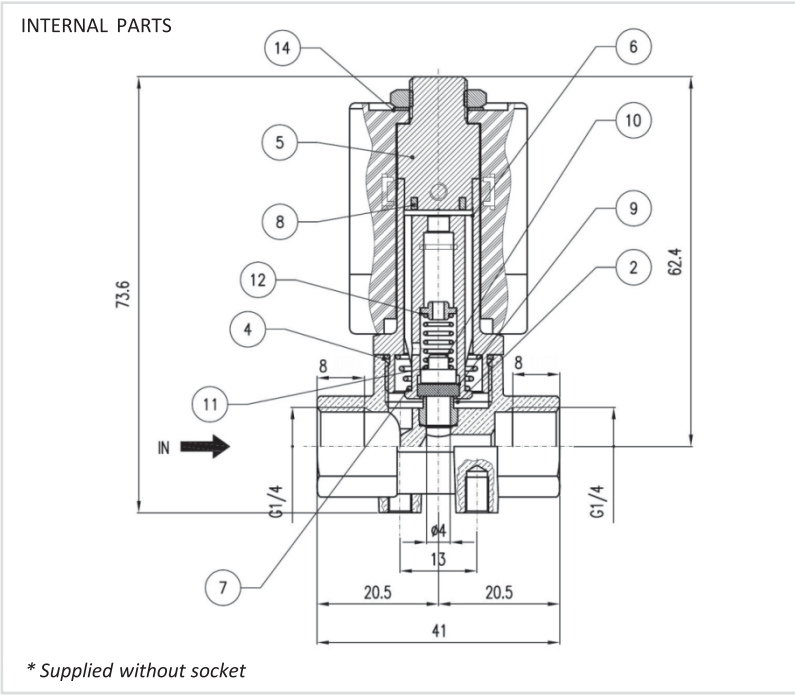
ORDERING CODE for a VALVE

3/2 – 1/8" N.C. BRASS VALVE 24 V DC	: SMV18M000024PV
3/2 – 1/8" N.C. BRASS VALVE 220 V AC	: SMV18M000022PV

Fluid	: Compressed air or Water
	for compressed air , lubrication is not necessary .
Pressure range	: Vacuum to max. 10 bar
Temperature range	: - 10 °C / + 60 °C
Version	: 3/2 - 1/8" N.C. DIRECT ACTING
Internal & External parts	
Body	: Brass
Tube & nucleus	: Brass Tube – stainless steel nucleus and spring
Seals	: NBR
Application	: 1. inlet pressure / 2. outlet pressure / 3. exhaust
Orifice	: 1,5 mm
Mounting	: In any position
Suitable coil	: 22 mm Coil with 10 mm hole , according to DIN43650 / B
Fixing holes	: 2 * M3
Voltages of coil	: 220 – 230 V / 50 hz. - 9 VA / 24 V dc. ... 10 W



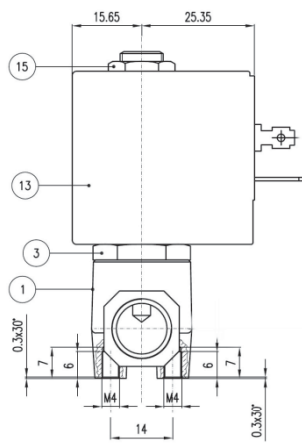
2/2 – 1/4" N.C.



* Supplied without socket

DETAIL of THE INTERNAL PARTS

- 15. NUT
- 14. ELASTIC WASHER
- 13. COIL
- 12. SPACER
- 11. NUCLEUS AISI302
- 10. SPRING SUPPORT
- 9. EPDM GASKET
- 8. SHADING RING
- 7. SPRING AISI 302
- 6. PLUNGER
- 5. FIXED CORE
- 4. TIGHTENING RING
- 3. SLEEVE AISI303
- 2. INERT 4 mm
- 1. BODY (brass)



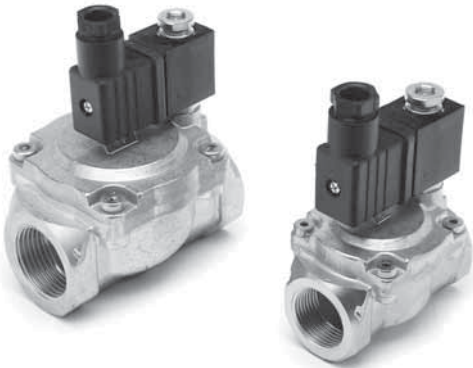
ORDERING CODE for a VALVE

- 2/2 – 1/4" N.C. BRASS VALVE 24 V DC : SMV14M000024PV
- 2/2 – 1/4" N.C. BRASS VALVE 220 V AC : SMV14M000022PV

Fluid	: Compressed air or Water
	for compressed air , lubrication is not necessary .
Pressure range	: Vacuum to max. 10 bar
Temperature range	: - 10 °C / + 90 °C
Version	: 2/2 - 1/4" N.C. DIRECT ACTING
Internal & External parts	
Body	: Brass
Tube & nucleus	: Stainless steel tube , nucleus and spring .AISI 303
Seals	: EPDM peroxide
Application	: 1. inlet pressure / 2. outlet pressure
Orifice	: 2 mm
Mounting	: In any position
Suitable coil	: 30 mm Coil with 14 mm hole , according to DIN43650 / A
Fixing holes	: 2 * M4
Voltages of coil	: 220 – 230 V / 50 hz. - 15 VA / 24 V dc. ... 21 W

3/8" - 1/2" - 3/4" - 1" BRASS VALVE (2/2 - N.C.)

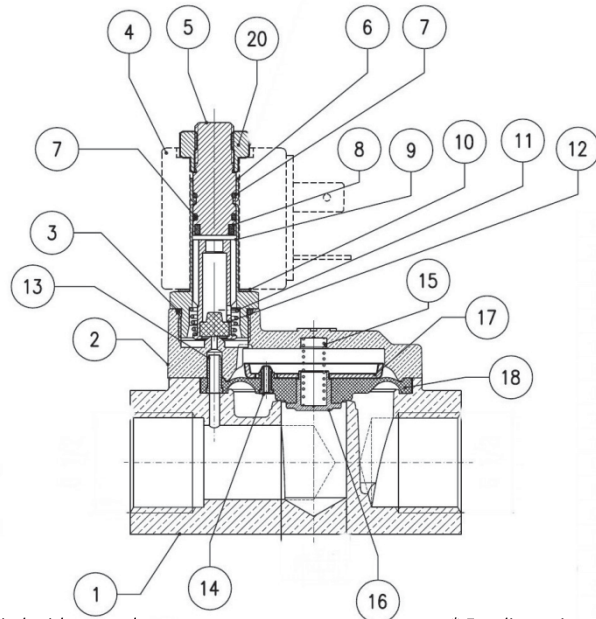
2/2 - 3/8" - 1/2" - 3/4" - 1" N.C.



DETAIL of THE INTERNAL PARTS

- | | |
|-----------------------------|----------------------|
| 13. SUPPORT SLEEVE | |
| 12. GASKET NBR | |
| 11. CONICAL SPRING AISI 302 | |
| 10. CONICAL ELASTIC WASHER | |
| 9. MOBILE PLANGER | |
| 8. SHADING RING | |
| 7. O - RING NBR | 20. NUT |
| 6. SLEEVE AISI 303 | 19. SCREW |
| 5. FIXED CORE | 18. GASKET NBR |
| 4. COIL | 17. PLATE |
| 3. PTFE RING | 16. GLASS FOR SPRING |
| 2. COVER (brass) | 15. SPRING AISI 302 |
| 1. BODY (brass) | 14. NOZZLE |

INTERNAL PARTS



* Supplied without socket

* For dimensions page 2.110

ORDERING CODES for a VALVE

2/2 - 3/8" N.C. BRASS VALVE 24 V DC	: SMV38M000024PV
2/2 - 3/8" N.C. BRASS VALVE 220 V AC	: SMV38M000022PV
2/2 - 1/2" N.C. BRASS VALVE 24 V DC	: SMV12M000024PV
2/2 - 1/2" N.C. BRASS VALVE 220 V AC	: SMV12M000022PV
2/2 - 3/4" N.C. BRASS VALVE 24 V DC	: SMV34M000024PV
2/2 - 3/4" N.C. BRASS VALVE 220 V AC	: SMV34M000022PV
2/2 - 1" N.C. BRASS VALVE 24 V DC	: SMV01M000024PV
2/2 - 1" N.C. BRASS VALVE 220 V AC	: SMV01M000022PV

Fluid : Compressed air or Water (max. viscosity 30 cst)

for compressed air lubrication is not necessary .

Pressure range : From 0,2 to max. 12 bar

Temperature range : - 10 °C / + 90 °C

Version : 2/2 - 3/8" N.C. / 2/2 - 1/2" N.C. / 2/2 - 3/4" N.C. / 2/2 - 1" PILOT OPERATED

Internal & External parts

Body : Brass CW617N

Tube & nucleus : Stainless steel 2/2 N.C.

Diaphragm : NBR

Coil : 22 mm Coil with 10 mm hole , according to DIN 43650 / B

Orifice : 3/8" - - 11 mm / 1/2" - - 13 mm / 3/4" - - 18 mm / 1" - - 26 mm

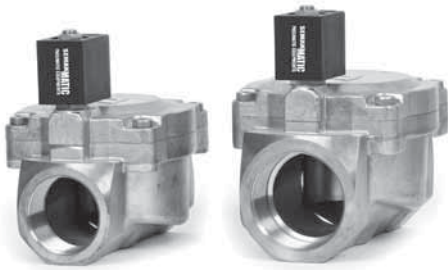
Mounting : In any position

Flow rate (Kv) ΔP=1 for water 5-40°C : 3/8" - 1,7 m3/h. / 1/2" - 3,8 m3/h. / 3/4" - 5 m3/h. / 1" - 11 m3/h

Socket : Not included

Voltages of coil : 220 - 230 V / 50 hz. - 9 VA / 24 V dc. 10 W

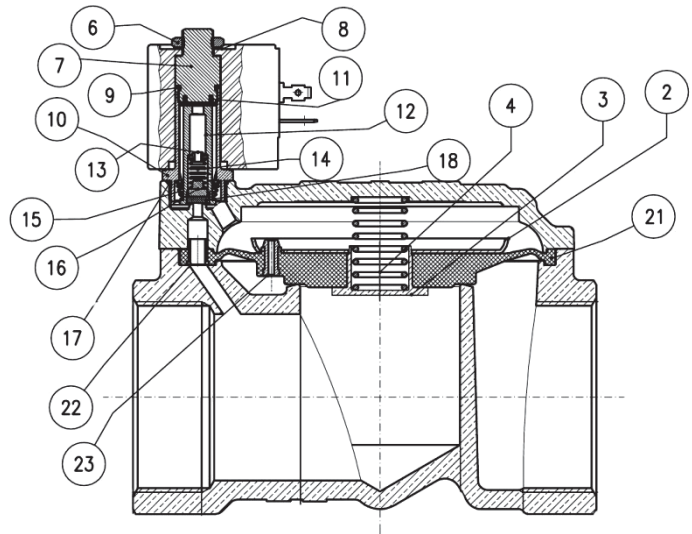
2/2 - 1 1/2" - 2" N.C.



DETAIL of THE INTERNAL PARTS

- | | |
|----------------------|--------------------------|
| 13. SPACER brass | 23. NOZZLE |
| 12. MOBILE PLUNGER | 22. SUPPORT SLEEVE |
| 11. SHADING RING | 21. GASKET NBR |
| 10. SLEEVE (brass) | 20. BODY (brass) |
| 9. PTFE RING | 19. SCREW |
| 8. CONICAL WASHER | 18. GASKET NBR |
| 7. FIXED CORE | 17. PTFE RING for SLEEVE |
| 6. NUT | 16. SUPPORT for SPRING |
| 5. COIL | 15. CONICAL SPRING |
| 4. SPRING AISI 302 | 14. SPRING AISI 302 |
| 3. GLASS for SPRING | |
| 2. PLATE AISI 304 | |
| 1. COVER (brass) | |

INTERNAL PARTS



* Supplied without socket

* For dimensions page 2.110

ORDERING CODES for a VALVE

- | | |
|--|-------------------|
| 2/2 - 1 1/2" N.C. BRASS VALVE 24 V DC | : SMV112M000024PV |
| 2/2 - 1 1/2" N.C. BRASS VALVE 220 V AC | : SMV112M000022PV |
| 2/2 - 2" N.C. BRASS VALVE 24 V DC | : SMV02M0000024PV |
| 2/2 - 2" N.C. BRASS VALVE 220 V AC | : SMV02M0000022PV |

Fluid : Compressed air or Water (max. viscosity 30 cst)
for compressed air lubrication is not necessary .

Pressure range : From 0,4 to max. 10 bar

Temperature range : - 10 °C / + 90 °C

Version : 2/2 - 1 1/2" N.C. / 2/2 - 2" N.C. PILOT OPERATED

Internal & External parts

Body : Brass CW617N

Tube & nucleus : Stainless steel 2/2 N.C.

Diaphragm : NBR

Coil : 30 mm Coil with 14 mm hole , according to DIN 43650 / A

Orifice : 1 1/2" - 45 mm / 2" - 50 mm

Mounting : In any position

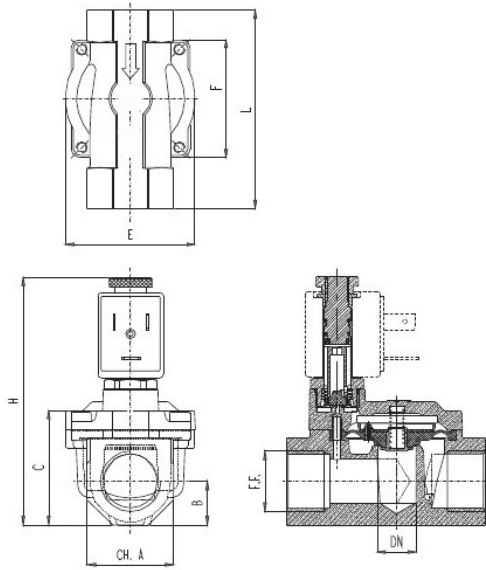
Flow rate (Kv) ΔP=1 for water 5-40°C : 1 1/2" - 27 m3/h. / 2" - 36 m3/h

Socket : Not included

Voltages of coil : 220 - 230 V / 50 hz. - 15 VA / 24 V dc. 19 W

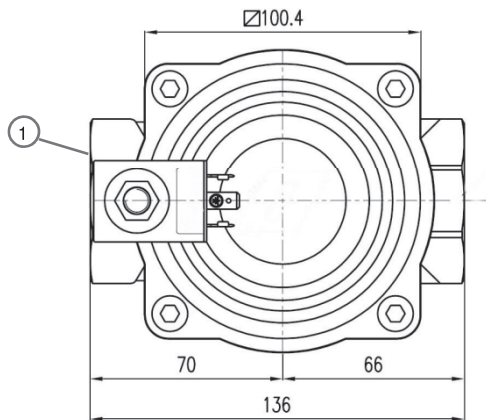
DIMENSIONS of THE DIAPHRAGM OPERATED BRASS VALVE (2/2 - N.C.)

2/2 3/8" - 1/2" - 3/4" - 1" N.C.

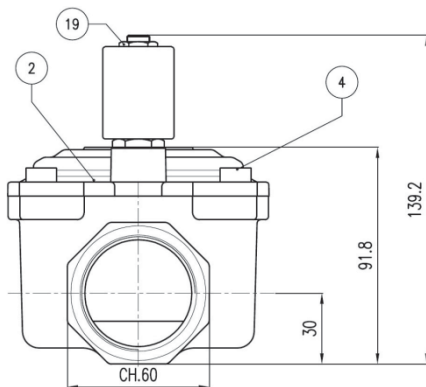
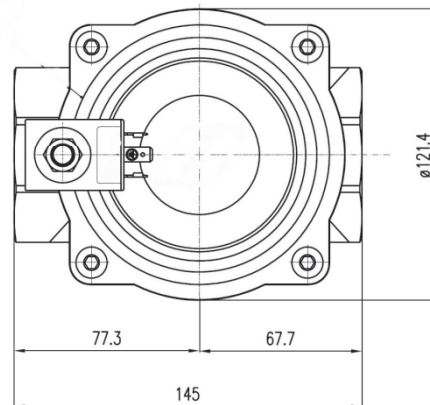


	3/8"	1/2"	3/4"	1"
DN	11,5	13,5	18	26
CH.A	24	30	36	45
B	12	15	18	22,5
C	32,5	40	46,5	60
E	42	45	54	71
F	38	41	50	67
L	57	69	74	93
H	93,5	101	108	120

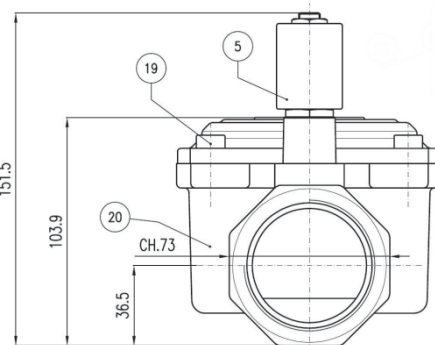
DIMENSION of 2/2 .. 1 1/2" .. N.C.



DIMENSION of 2/2 .. 2" .. N.C.



- 19. coil fixing nut
- 4. Screws
- 2. Cover (brass)
- 1. Body (brass)

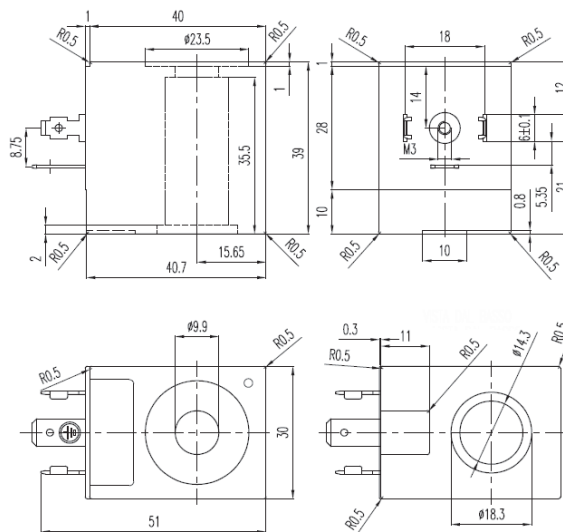


- 20. Body (brass)
- 19. Screws
- 5. Coil

30 mm COILS Ø 14 mm



Standart of the coil	DIN 43650 / A
Wide of the coil	30 mm
Sleeve hole	14 mm
Voltages	24 v dc 19 W / 230 ac 15 VA
Tolerances	+/- %10 for AC / +/- %5 for DC
Code for 24 v DC	SMB301400024DC
Code for 220 v AC	SMB301400220AC

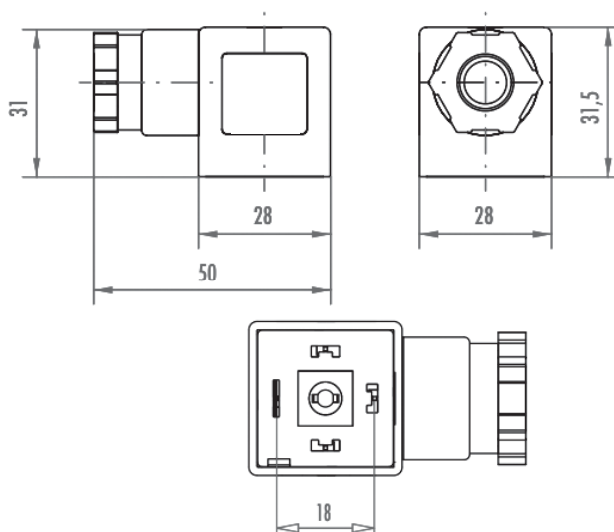


30 mm SOCKETS



* Suitable coil standart is DIN 43650 / A

Operating voltage	max. 250 V
Nominal current	10 A
Contact resistance	≤ 4 m ohm
Cable size	3*0,75 mm ² - 4*0,75 mm ²
Degree of protection	IP 67
Housing material	soft PVC
Code	SMBS300000000

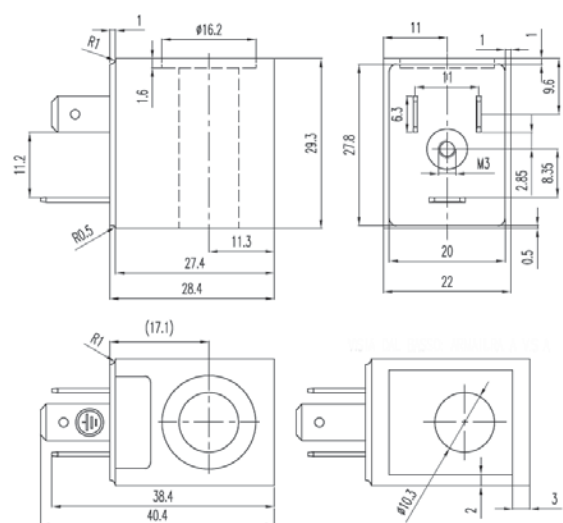


22 mm COILS Ø 10 mm

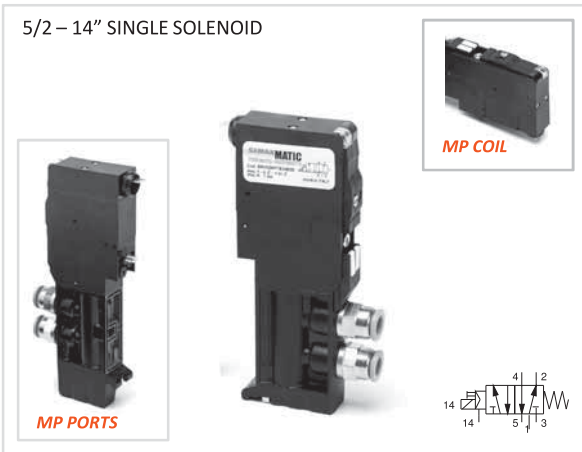


* For the sockets please see page 105

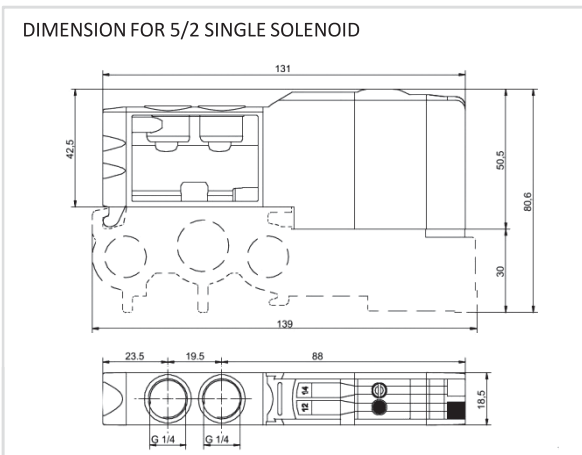
Standart of the coil	AMP 6,3 x 0,8 / F Class
Wide of the coil	22 mm
Sleeve hole	10 mm
Voltages	24 v dc 10 W / 230 ac 9 VA
Tolerances	+/- %10 for AC / +/- %5 for DC
Code for 24 v DC	SMB221000024DC
Code for 220 v AC	SMB221000220AC



MP SERIE 5/2 SOLENOID VALVES 24 V DC (monostable)



- * Flow rate is 850 NI / min. at 6 bar .
- * Max working pressure is 7 bar .
- * DIE CAST painted aluminium body.
- * 24 v dc voltage. 1,5 w power consumption
- * Spool with spring return
- * Manual override detendet
- * Min working pressure is 3 bar (with monostable version)
- * Suitable for non oily applications.



ORDERING CODE for a VALVE

5/2 - 1/4" SINGLE SOLENOID

: SMV52MPTB24M00

Fluid : Compressed filtered air with or without lubrication

If lubrication used at ones must be continuous .

Pressure range : min.3 bar - max. 7 bar

Temperature range : - 5 °C / + 50 °C

Version : 5/2 - 1/4" single solenoid

Materials

Covers : PBT

spool : hard aluminium anodized

Seals : hydrojenated NBR

Body : Die cast painted aluminium

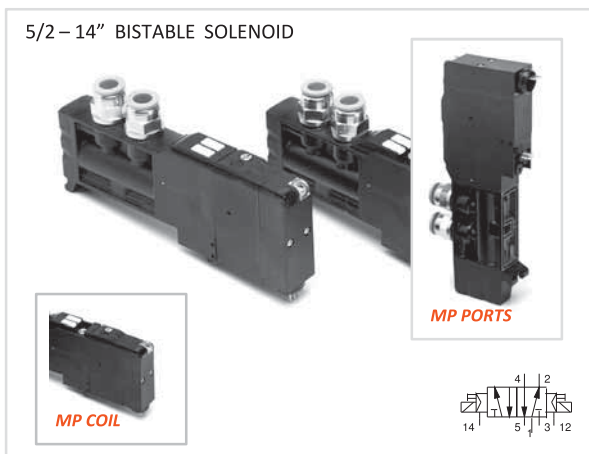
Coil Voltage : 24 v dc

Duty cycle : % 100

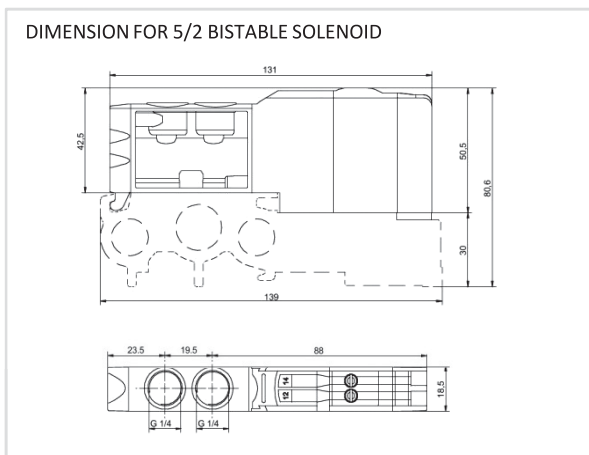
Outlet threads : 2 - 4 1/4" (pressure outlet)

1 - 3 - 5 ... on a base

Orifice : 7 mm



- * Flow rate is 850 NI / min. at 6 bar .
- * Max working pressure is 7 bar .
- * DIE CAST painted aluminium body.
- * 24 v dc voltage. 1,5 w power consumption
- * Both coil on the same side and all the coils with led
- * Manuel override detendet
- * Min working pressure is 1,5 bar (with bistable version)
- * Suitable for non oily applications.



ORDERING CODE for a VALVE

5/2 - 1/4" BISTABLE SOLENOID

: SMV52MPCB24M00

Fluid : Compressed filtered air with or without lubrication

If lubrication used at ones must be continuous .

Pressure range : min.1,5 bar - max. 7 bar

Temperature range : - 5 °C / + 50 °C

Version : 5/2 - 1/4" bistable solenoid

Materials

Covers : PBT

spool : hard aluminium anodized

Seals : hydrojenated NBR

Body : Die cast painted aluminium

Coil Voltage : 24 v dc

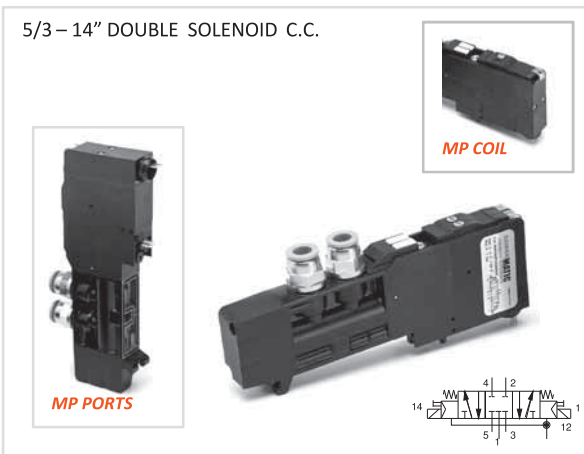
Duty cycle : % 100

Outlet threads : 2 - 4 1/4" (pressure outlet)

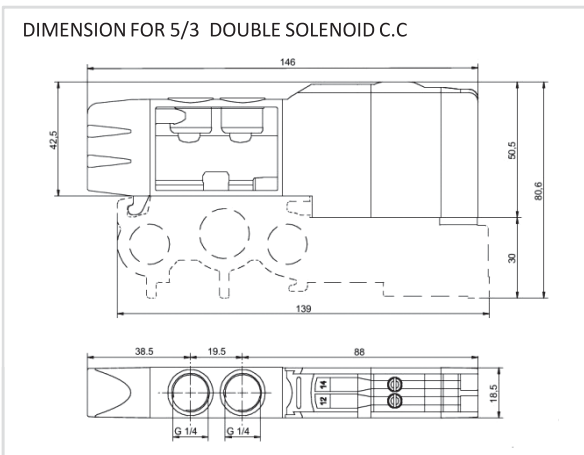
1 - 3 - 5 ... on a base

Orifice : 7 mm

MP SERIE 5/3 SOLENOID VALVES 24 V DC (closed center)



- * Flow rate is 850 NI / min. at 6 bar .
- * Max working pressure is 7 bar .
- * DIE CAST painted aluminium body.
- * 24 v dc voltage. 1,5 w power consumption
- * Both coil on the same side and all the coils with led
- * Manuel override detendet
- * Min working pressure is 1,5 bar (with bistable version)
- * Suitable for non oily applications.



ORDERING CODE for a VALVE

5/3 - 1/4" SINGLE SOLENOID (closed center) : SMV53MPCB24MKM

Fluid : Compressed filtered air with or without lubrication

If lubrication used at ones must be continious .

Pressure range : min.3 bar - max. 7 bar

Temperature range : - 5 °C / + 50 °C

Version : 5/3 - 1/4" double solenoid closed center

Materials

Covers : PBT

spool : hard aluminium anodized

Seals : hydrojenated NBR

Body : Die cast painted aluminium

Coil Voltage : 24 v dc

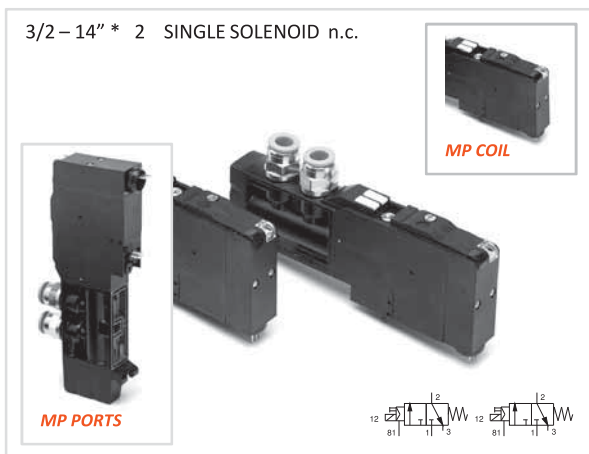
Duty cycle : % 100

Outlet threads : 2 - 4 1/4" (pressure outlet)

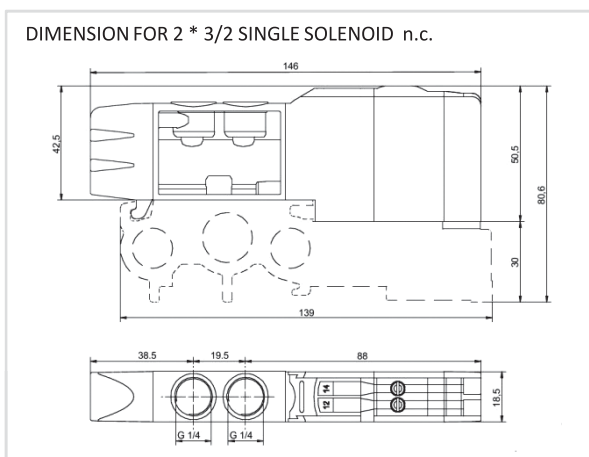
1 - 3 - 5 ... on a base

Orifice : 7 mm

MP SERIE 2 * 3/2 SOLENOID VALVES 24 V DC (normally closed)



- * Flow rate is 850 NI / min. at 6 bar .
- * Max working pressure is 7 bar .
- * 2 * 3/2 N.C. valve in the same body.
- * 24 v dc voltage. 1,5 w power consumption
- * Both coil on the same side and all the coils with led
- * Manuel override detendet
- * Min working pressure is 3 bar
- * Suitable for non oily applications.



ORDERING CODE for a VALVE

3/2 - 1/4" * 2 SINGLE SOLENOID (normally closed) : SMV32MPTB24MNC

Fluid : Compressed filtered air with or without lubrication

If lubrication used at ones must be continious .

Pressure range : min.3 bar - max. 7 bar

Temperature range : - 5 °C / + 50 °C

Version : 2 * 3/2 - 1/4" single solenoid

Materials

Covers : PBT

spool : hard aluminium anodized

Seals : hydrojenated NBR

Body : Die cast painted aluminium

Coil Voltage : 24 v dc

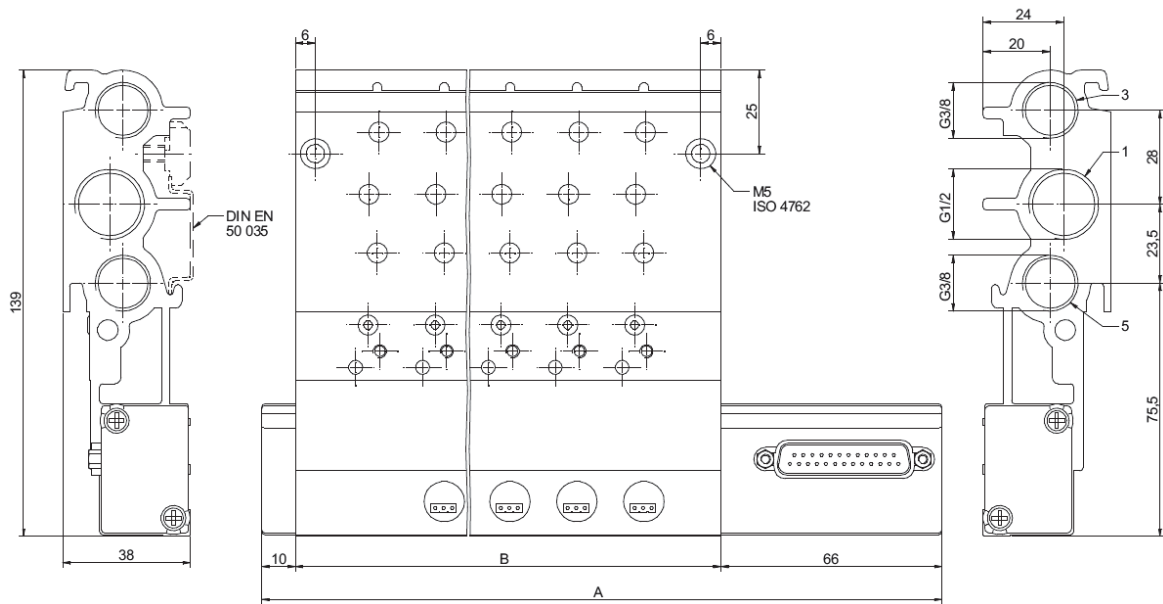
Duty cycle : % 100

Outlet threads : 2 - 4 1/4" (pressure outlet)

1 - 3 - 5 ... on a base

Orifice : 7 mm

BASE



	A	B
POS. 3	205	130
	(with blanking plate)	
POS. 4	205	130
POS. 5	225	150
POS. 6	245	170
POS. 8	285	210
POS. 10	325	250
POS. 12	365	290

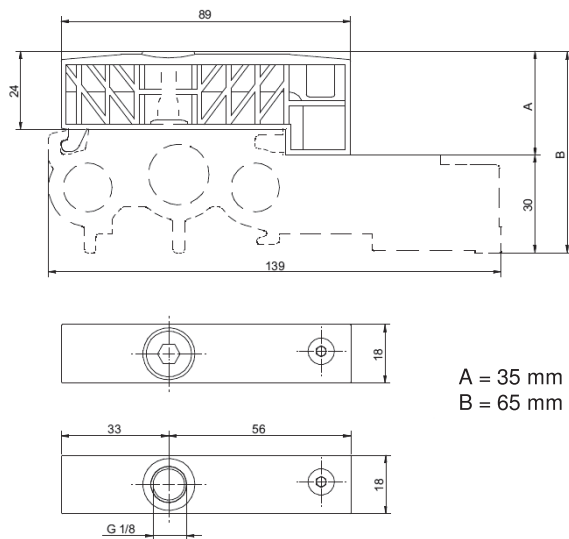
Base with 8 pos.



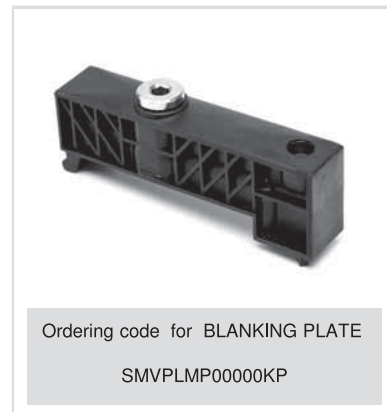
Ordering codes ...

- 3 position ... SMVPLMP0000003
- 4 position ... SMVPLMP0000004
- 5 position ... SMVPLMP0000005
- 6 position ... SMVPLMP0000006
- 8 position ... SMVPLMP0000008
- 10 position ... SMVPLMP0000010
- 12 position ... SMVPLMP0000012

BLANKING PLATE



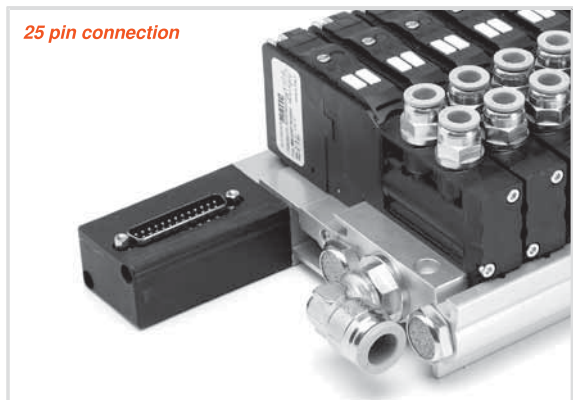
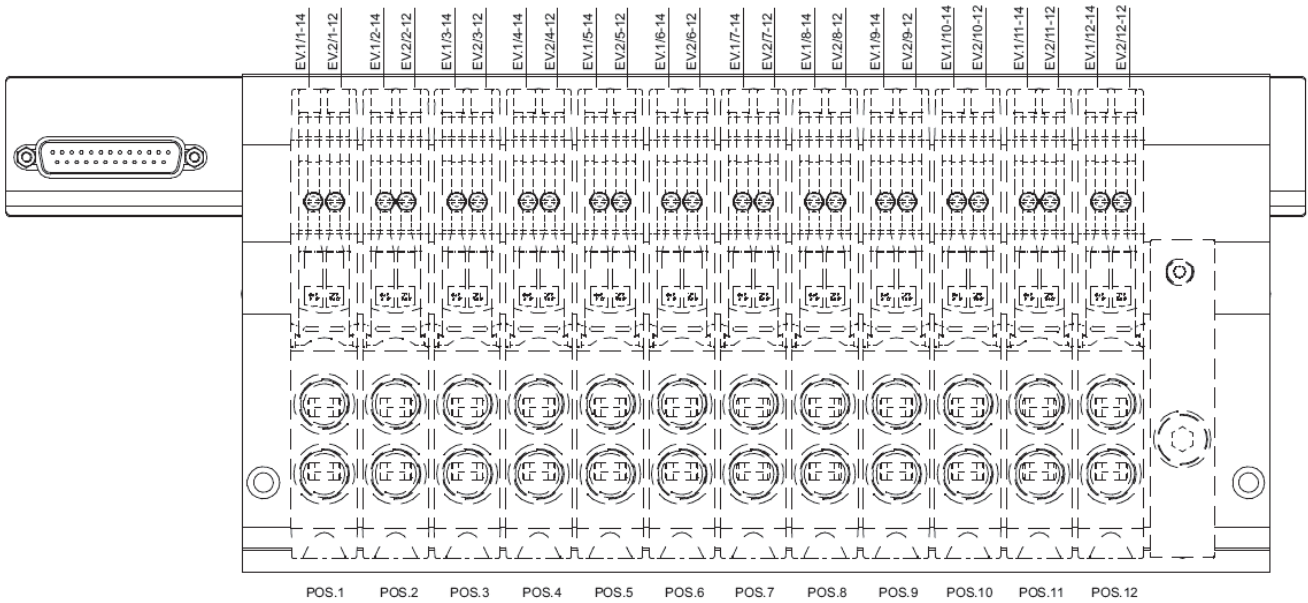
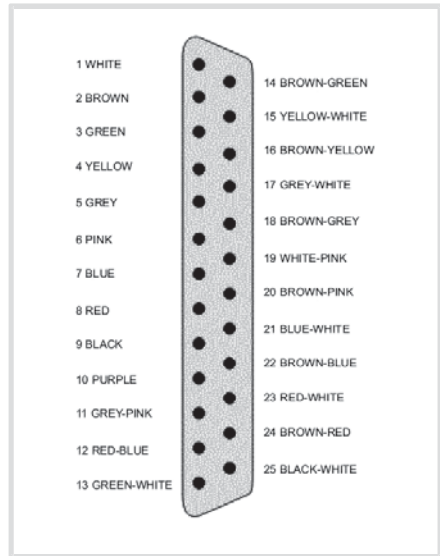
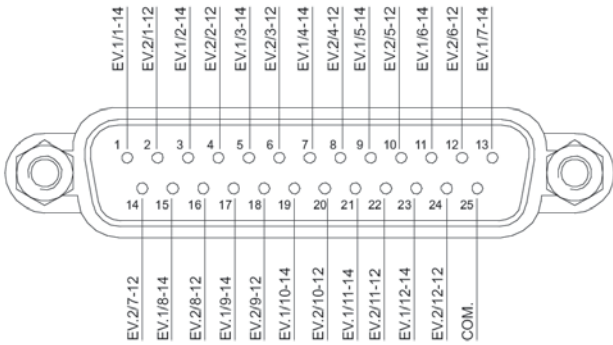
A = 35 mm
B = 65 mm



Ordering code for BLANKING PLATE

SMVPLMP00000KP

CABLE COLOR CODES



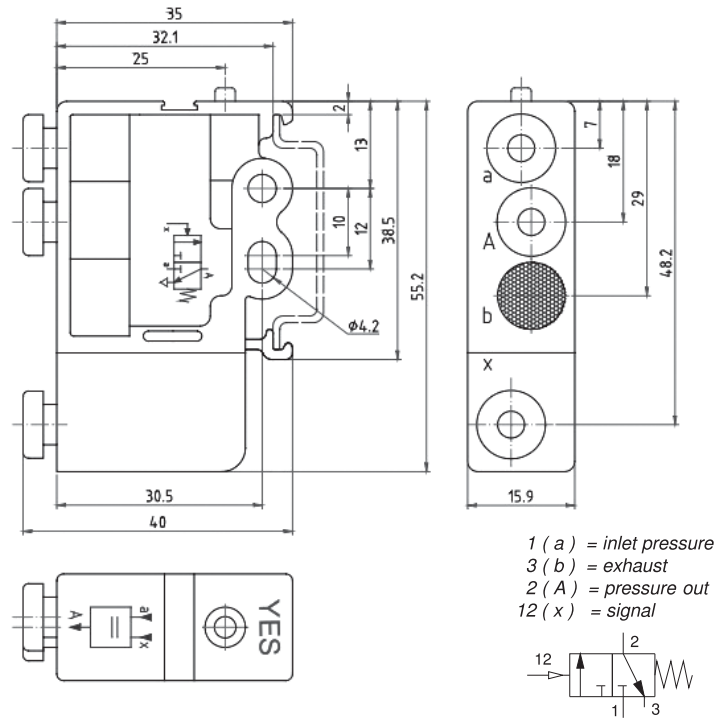
YES VALVE (3/2 – N.C.)



* with 4 mm tube or M5 thread

- * Flow rate is 100 NI / min. at 6 bar .
- * Pressure range is from 1 bar to 8 bar.
- * Technopolimer body.
- * Pressure indicator with yellow color
- * With 4 mm tube fittings or M5 thread
- * Suitable for non oily applications

DRAWINGS



ORDERING CODE for a VALVE

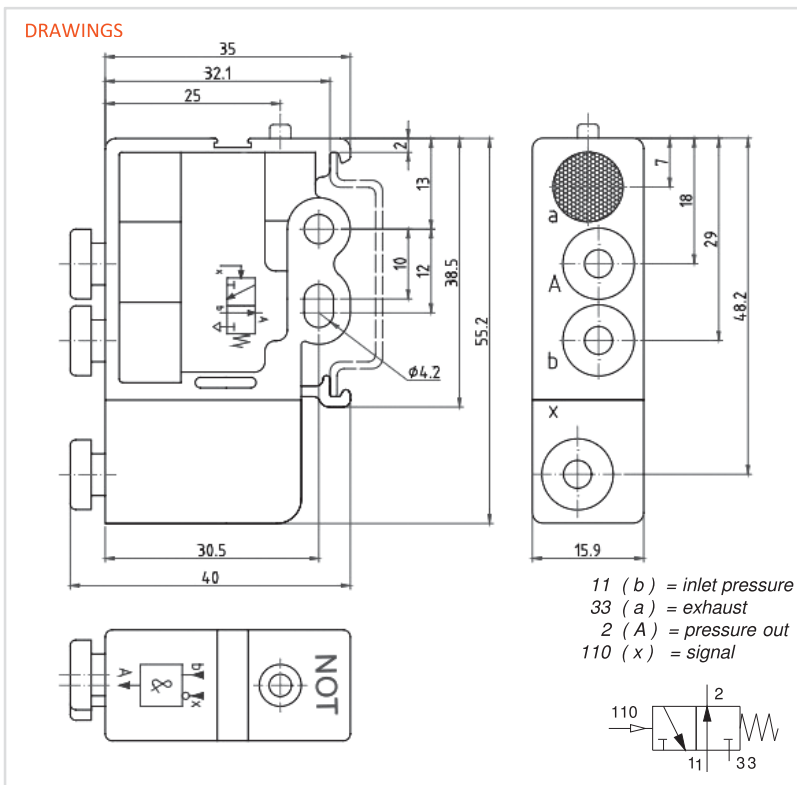
3/2 – 4 mm or M5 spring return YES VALVE : SMVLJ0400T00YE

* For M5 threaded valve , please ask for the code .

Fluid	: Compressed filtered air with or without lubrication
	If lubrication used at ones must be continuous .
Pressure range	: min.1 bar - max. 8 bar
Temperature range	: - 10 °C / + 50 °C
Version	: 3/2 – 4 mm N.C. spring return (M5 threaded on request)
Materials	
Spring	: Staines steel
Silencer	: Sintered bronze
Seals	: Perbunan NBR
Body	: Pom
Orifice	: 2,7 mm
Mounting	: In any position (suitable to rail according to DIN 50022)
Flow rate	: 100 NI/ min at 6 bar
Cycle per min.	: 180 cycle / min (depends upon the signal inlet and outlet)
Actuating system	: Poppet



- * Flow rate is 100 NI / min. at 6 bar .
- * Pressure range is from 0,4 bar to 8 bar.
- * Technopolimer body.
- * Pressure indicator with yellow color
- * With 4 mm tube fittings or M5 thread
- * Suitable for non oily applications



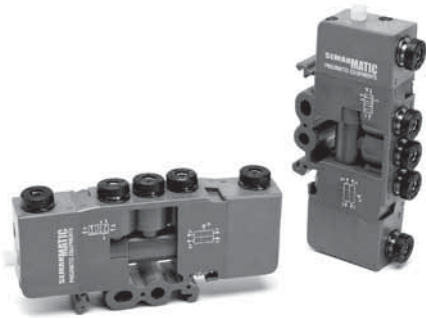
ORDERING CODE for a VALVE
 3/2 – 4 mm or M5 spring return NOT VALVE : SMVLJ0400T00NO

* For M5 threaded valve , please ask for the code .

Fluid	: Compressed filtered air with or without lubrication
	If lubrication used at ones must be continious .
Pressure range	: min.0,4 bar - max. 8 bar
Temperature range	: - 10 °C / + 50 °C
Version	: 3/2 – 4 mm N.O. spring return (M5 threaded on request)
Materials	
Spring	: Stainles steel
Silencer	: hard aluminium anodized
Seals	: Perbunan NBR
Body	: Pom
Orifice	: 2,7 mm
Mounting	: In any position (suitable to rail according to DIN 50022)
Flow rate	: 100 NI/ min at 6 bar
Cycle per min.	: 180 cycle / min (depends upon the signal inlet and outlet)
Actuating system	: Poppet

LOGIC MEMORY VALVE

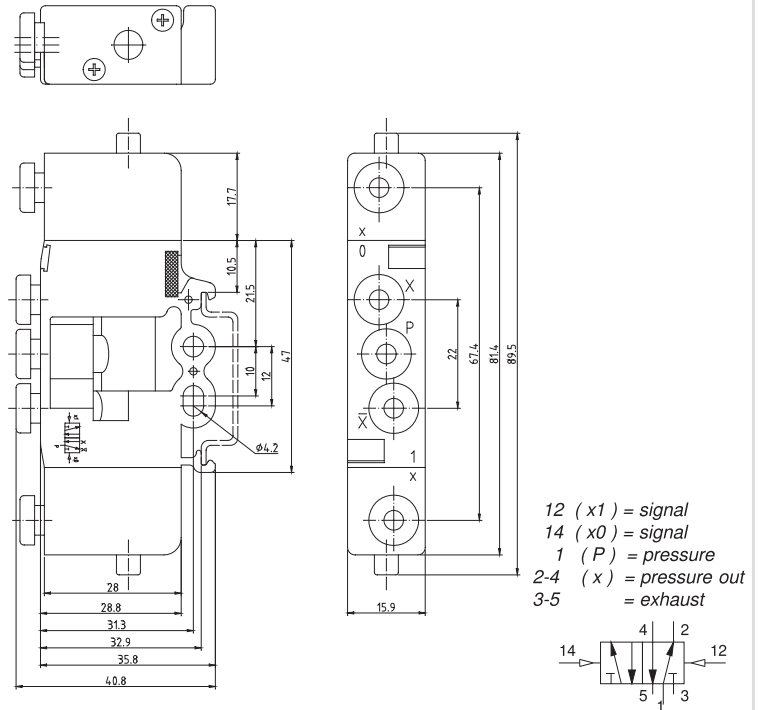
MEMORY VALVE (5/2 – BISTABLE + manual reset)



* with 4 mm tube or M5 thread

- * Flow rate is 100 NI / min. at 6 bar .
- * Pressure range is from 0 bar to 8 bar.
- * Technopolimer body.
- * Pressure indicator with yellow color
- * With 4 mm tube fittings or M5 thread
- * Suitable for non oily applications

DRAWINGS



ORDERING CODE for a VALVE

5/2 – 4 mm or M5 spring return MEMORY VALVE : SMVLJ0400T00ME

* For M5 threaded valve , please ask for the code .

Fluid : Compressed filtered air with or without lubrication

If lubrication used at ones must be continuous .

Pressure range : min.0 bar - max. 8 bar

Temperature range : - 10 °C / + 50 °C

Version : 5/2 – 4 mm double pilot , bistable (M5 threaded on request)

Materials

Spring : Staines steel

Silencer : Sintered bronze

Seals : Perbunan NBR

Body : Pom

Orifice : 2,7 mm

Mounting : In any position (suitable to rail according to DIN 50022)

Flow rate : 100 NI/ min at 6 bar

Cycle per min. : 190 cycle / min (depends upon the signal inlet and outlet)

Actuating system : Poppet

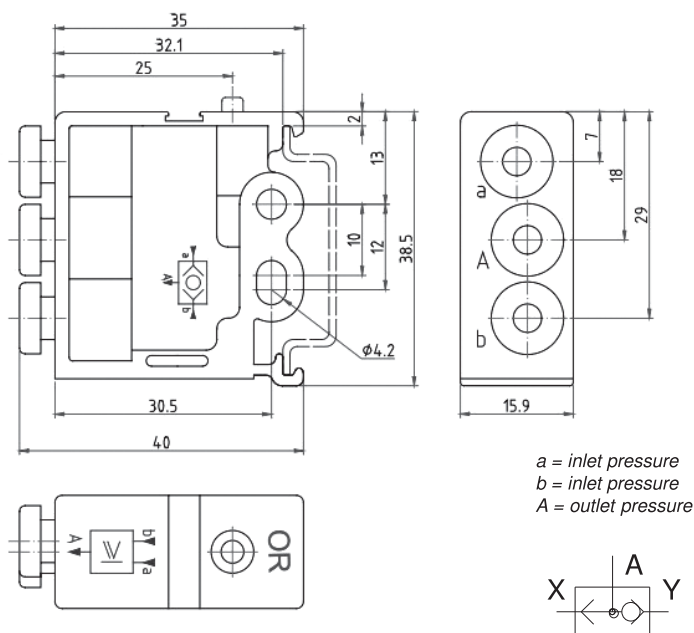
OR VALVE



* with 4 mm tube & M5 thread

- * Flow rate is 100 NI / min. at 6 bar .
- * Pressure range is from 1,5 bar to 8 bar.
- * Technopolimer body.
- * Pressure indicator with yellow color
- * With 4 mm tube fittings or M5 thread
- * Suitable for non oily applications

DRAWINGS



ORDERING CODE for a VALVE

OR VALVE with 4 mm tube or M5 thread

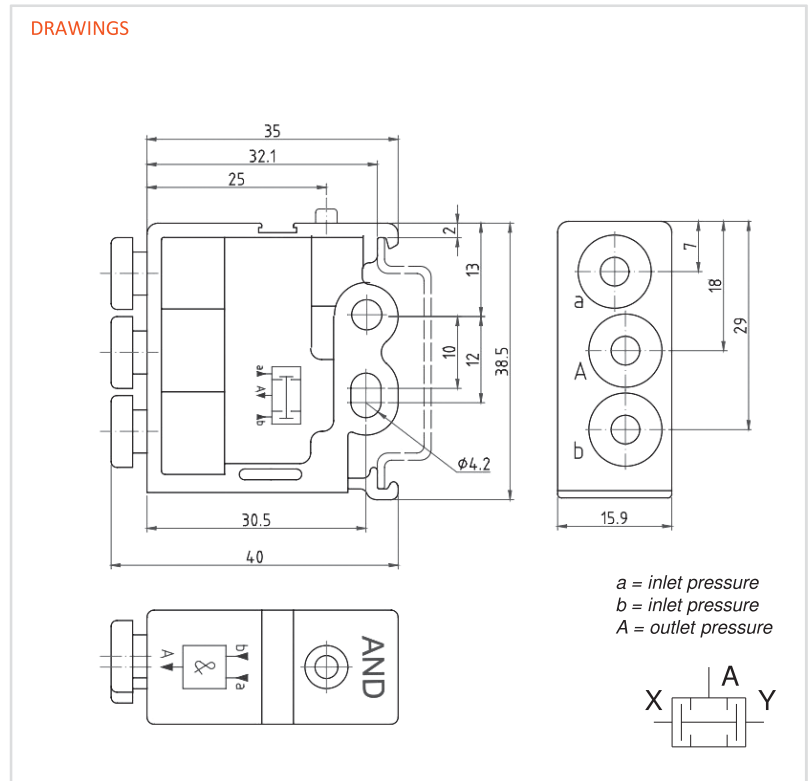
: SMVLJ0400T00VY

* For M5 threaded valve , please ask for the code .

Fluid	: Compressed filtered air with or without lubrication
	If lubrication used at ones must be continuous .
Pressure range	: min.1,5 bar - max. 8 bar
Temperature range	: - 10 °C / + 50 °C
Version	: OR GATE with 4 mm tube fittings (M5 threaded on request)
Materials	
Spring	: No spring inside
Silencer	: Sintered bronze
Seals	: Perbunan NBR
Body	: Pom
Orifice	: 2,7 mm
Mounting	: In any position (suitable to rail according to DIN 50022)
Flow rate	: 100 NI/ min at 6 bar



- * Flow rate is 100 NI / min. at 6 bar .
- * Pressure range is from 1,5 bar to 8 bar.
- * Technopolimer body.
- * Pressure indicator with yellow color
- * With 4 mm tube fittings or M5 thread
- * Suitable for non oily applications



ORDERING CODE for a VALVE

AND VALVE with 4 mm tube or M5 thread

: SMVLJ0400T00VE

* For M5 threaded valve , please ask for the code .

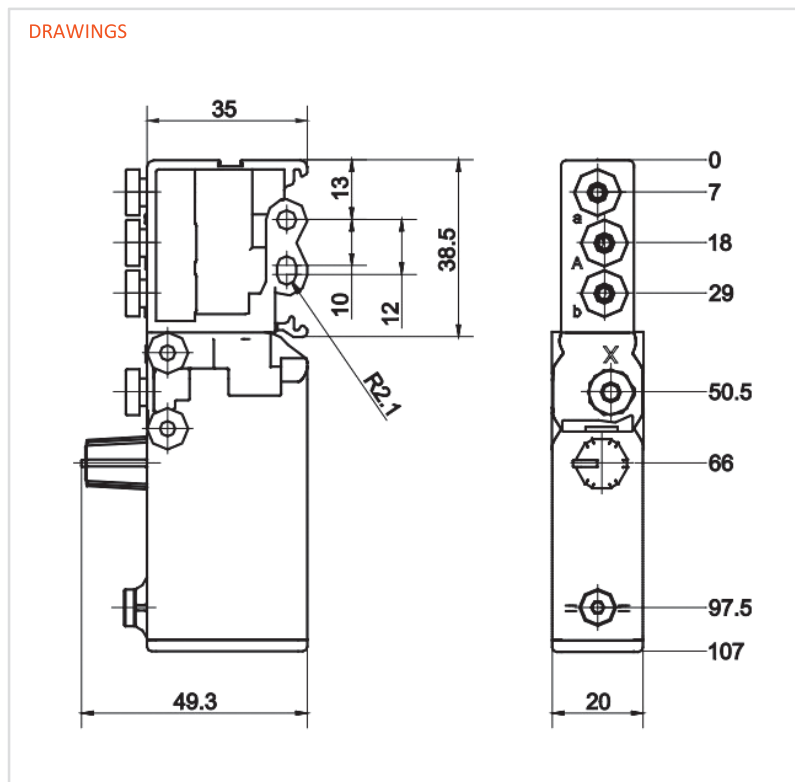
Fluid	: Compressed filtered air with or without lubrication
	If lubrication used at ones must be continuous .
Pressure range	: min.1,5 bar - max. 8 bar
Temperature range	: - 10 °C / + 50 °C
Version	: AND GATE with 4 mm tube fittings (M5 threaded on request)
Materials	
Spring	: No spring inside
Silencer	: Sintered bronze
Seals	: Perbunan NBR
Body	: Pom
Orifice	: 2,7 mm
Mounting	: In any position (suitable to rail according to DIN 50022)
Flow rate	: 100 NI/ min at 6 bar

PNEUMATIC TIMER 3/2 - N.C. & N.O.



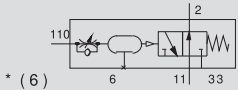
- * Flow rate is 100 NI / min. at 6 bar .
- * Pressure range is from 3 bar to 8 bar.
- * Technopolimer body.
- * Pressure indicator with yellow color
- * With 4 mm tube fittings or M5 thread
- * Suitable for non oily applications

DRAWINGS



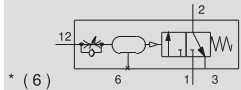
For N.O. application

- a (33) exhaust
- b (11) inlet pressure
- A (2) outlet pressure
- x (110) signal



For N.C. application

- a (1) inlet pressure
- b (3) exhaust
- A (2) outlet pressure
- x (12) signal



ORDERING CODE for a VALVE

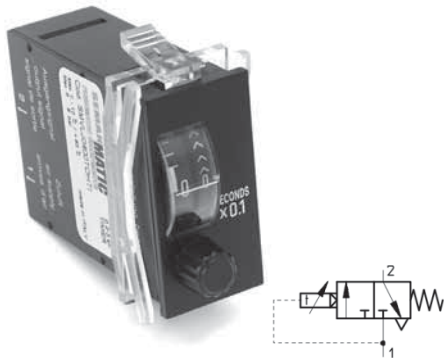
PNEUMATIC TIMER 3/2 – 4 mm or M5 N.C. & N.O. : SMVLJ0400T00TI

- * For M5 threaded valve , please ask for the code .
- * Connect external tank for increasing the time delay , via unscrew the plug (6)

Fluid	: Compressed filtered air without lubrication 20 µm filtered and non lubricated air highly recommended
Pressure range	: min.3 bar - max. 8 bar
Temperature range	: - 10 °C / + 50 °C
Version	: 3/2 – 4 mm N.C. and N.O. in the same body (M5 threaded on request)
Materials	
Spring	: Stainles steel
Adjusting knob	: From 0 to 30 sec.
Seals	: Perbunan NBR
Body	: Pom
Orifice	: 2,7 mm
Mounting	: In any position (suitable to rail according to DIN 50022)
Flow rate	: 100 NI/ min at 6 bar
Cycle per min.	: Max. 30 sec. (can be increased via disassembling the plug and connecting an additional pressure tank)
Weight	: 75 gr.

PNEUMATIC PRECISE TIMER

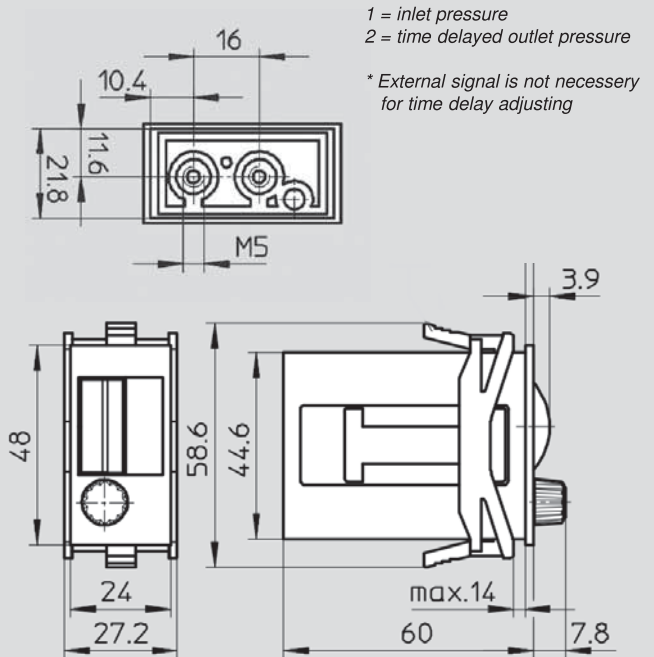
PRECISE PNEUMATIC TIMER 3/2 - N.C.



- * Precise pneumatic timer with 3/2 n.c. valve.
- * Max working pressure is 6 bar .
- * Technopolimer body
- * Minimum working pressure is 2 bar
- * M5 connection ports
- * Suitable only for NON OILY applications

The timer switches through the input port pressure applied to port 1 to 2 after the set delay time has expired .

DRAWING



ORDERING CODE for a VALVE

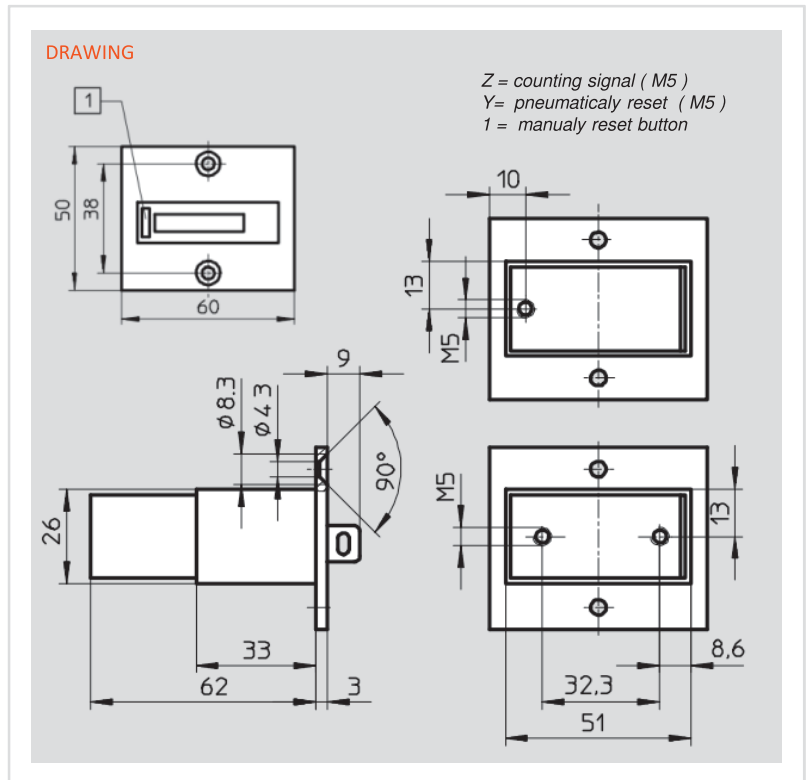
PRECISE PNEUMATIC TIMER 3/2 M5 (0,2 – 3 sec.) : SMVLJ0400T00VY

Fluid	: Compressed filtered air without lubrication 20 µm filtered and non lubricated air highly recommended
Pressure range	: min. 2 bar - max. 6 bar
Temperature range	: - 10 °C / + 50 °C
Version	: 3/2 – M5 N.C.
Connections	: P (1) & A (2) M5 threaded
Switch on / off pressure	: ≥ 1.6 / ≤ 0.1
Adjustible time delay	: 0,2 sec. - 3 sec.
Repetition accuracy	: +/- 0,1 sec.
Pause duration for reset	: ≥ 200 msec.
Protection class	: IP 40
Mounting	: Suitable for panel mounting
Adjusting knob	: Manually
Working system	: Mechanically sequencing
weight	: 70 gr.



- * 6 digit pneumatic counter
- * Reset with manual button and pneumatic signal .
- * Technopolimer body ..
- * Working pressure is from 2 bar to 8 bar
- * Pressure and reset ports are M5 threaded
- * Suitable for NON OILY applications

Adding counter has 6 digit displays and count upwards . When the counter is reset manually or with pneumatic signal ,the figure 000000 appears .



ORDERING CODE for a VALVE

6 DIGIT PANEL MOUNTED COUNTER

: SMVLJM500T6PSA

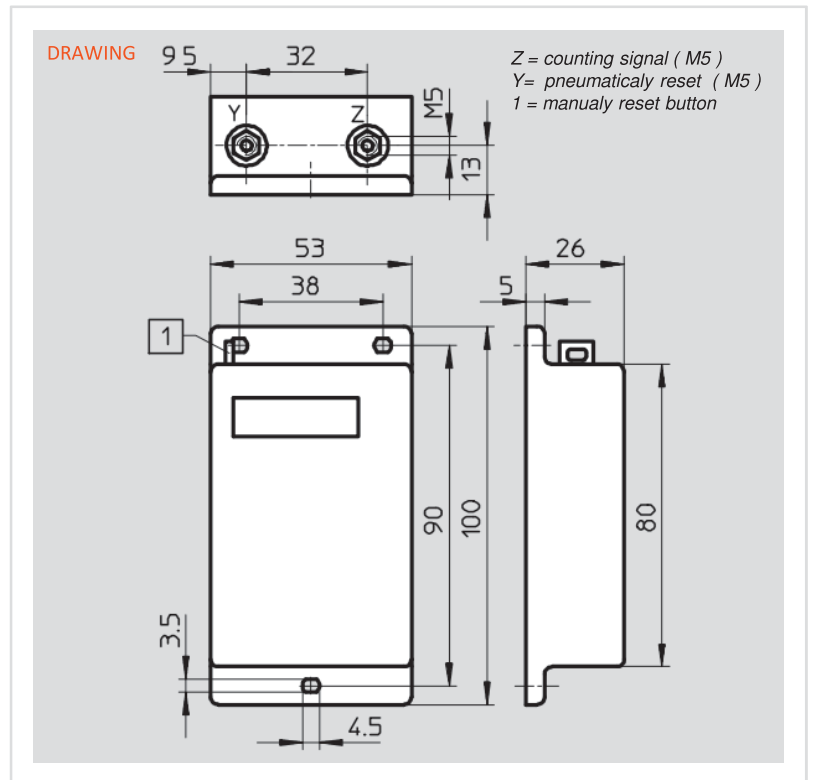
Fluid	: Compressed filtered air without lubrication 20 µm filtered and non lubricated air highly recommended
Pressure range	: min.2 bar - max. 8 bar
Temperature range	: - 10 °C / + 60 °C
Responce pressure	: Count ≥ 0,8 / Reset 2 bar
Release pressure	: Count ≤ 0,15 / Reset ≤ 0,15 bar
Min. Pulse duration	: Count 8 ms. / Reset 150 ms
Min. Pause duration	: Count 10 ms. / Reset 50 ms
Digit number	: 6 digit
Life time (mechanically)	: 30 million pulse
Count frequensy max.	: 25 hz.
Min. pulse length	: 8 ms.
Protection class	: IP 40
Counting system	: Totalazing
Weight	: 75 gr.

PNEUMATIC COUNTER SURFACE MOUNTED



- * 6 digit pneumatic counter
- * Reset with manuel button and pneumatic signal .
- * Technopolimer body ..
- * Working pressure is from 2 bar to 8 bar
- * Can be overloaded thill to the 12 bar
- * Suitable for NON OILY applications

Adding counter has 6 digit displays and count upwards . When the counter is reset manually or with pneumatic signal ,the figure 000000 appears .



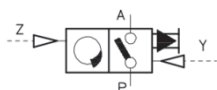
ORDERING CODE for a VALVE

6 DIGIT SURFACE MOUNTED COUNTER

: SMVLJM500T6YSA

Fluid	: Compressed filtered air without lubrication 20 µm filtered and non lubricated air highly recommended
Pressure range	: min.2 bar - max. 8 bar
Temperature range	: - 10 °C / + 60 °C
Responce pressure	: Count ≥ 0,8 / Reset 2 bar
Release pressure	: Count ≤ 0,15 / Reset ≤ 0,15 bar
Min. Pulse duration	: Count 10 ms. / Reset 180 ms
Min. Pause duration	: Count 10 ms. / Reset 50 ms
Digit number	: 6 digit
Life time (mechanically)	: 30 million pulse
Count frequeny max.	: 25 hz.
Min. pulse length	: 8 ms.
Protection class	: IP 40
Counting system	: Totalazing
Weight	: 160 gr.

COUNTER SUBTRACTING



* with pneumatically and manually reset + 3/2 n.c.

- * 3 digit pneumatic counter
- * Reset with manual button and pneumatic signal .
- * With 3/2 n.c. valve possible pneumatic output.
- * Working pressure is from 2 bar to 8 bar
- * Can be overloaded up to the 12 bar
- * Suitable for NON OILY applications

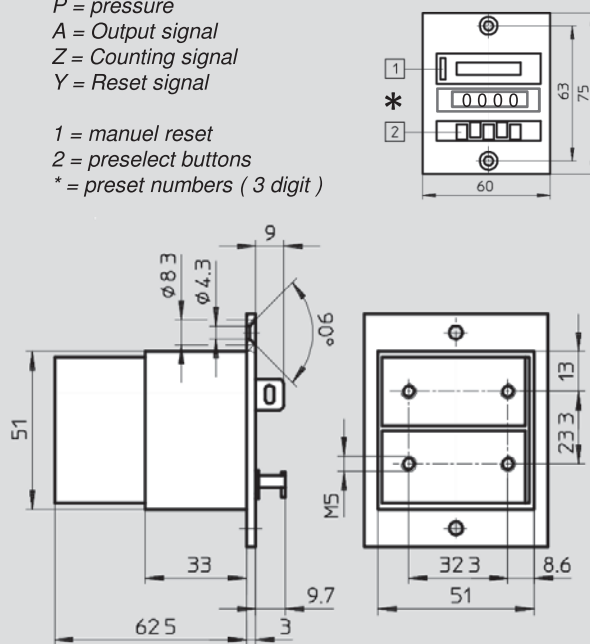
This counter adds pneumatic signals from 0 to upwards and emit a pneumatic output signal when the preset number is reached.

Pre selection takes place by pressing the white lock button and at the same time keying in the preset number . The preset number remains visible at all times in the pre selected window.

DRAWING

P = pressure
 A = Output signal
 Z = Counting signal
 Y = Reset signal

1 = manual reset
 2 = preselect buttons
 * = preset numbers (3 digit)



ORDERING CODE for a VALVE

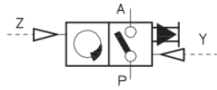
3 DIGIT COUNTER WITH 3/2 n.c. adding

: SMVLJM5ART03SA

Fluid	: Compressed filtered air without lubrication 20 µm filtered and non lubricated air highly recommended
Pressure range	: min.2 bar - max. 8 bar
Temperature range	: - 10 °C / + 60 °C
Response pressure	: Count ≥ 0,8 / Reset 2 bar
Release pressure	: Count ≤ 0,15 / Reset ≤ 0,15 bar
Min. Pulse duration	: Count 10 ms. / Reset 180 ms
Min. Pause duration	: Count 10 ms. / Reset 50 ms
Digit number	: 6 digit
Life time (mechanically)	: 30 million pulse
Count frequency max.	: 25 hz.
Min. pulse length	: 8 ms.
Protection class	: IP 40
Counting system	: Totalizing
Weight	: 160 gr.

PNEUMATIC COUNTER PREDETERMINING (subtracting)

COUNTER ADDING



* with pneumatically and manually reset + 3/2 n.c.

- * 3 digit pneumatic counter
- * Reset with manuel button and pneumatic signal .
- * With 3/2 n.c. valve possible pneumatic output.
- * Working pressure is from 2 bar to 8 bar
- * Can be overloaded thill to the 12 bar
- * Suitable for NON OILY applications

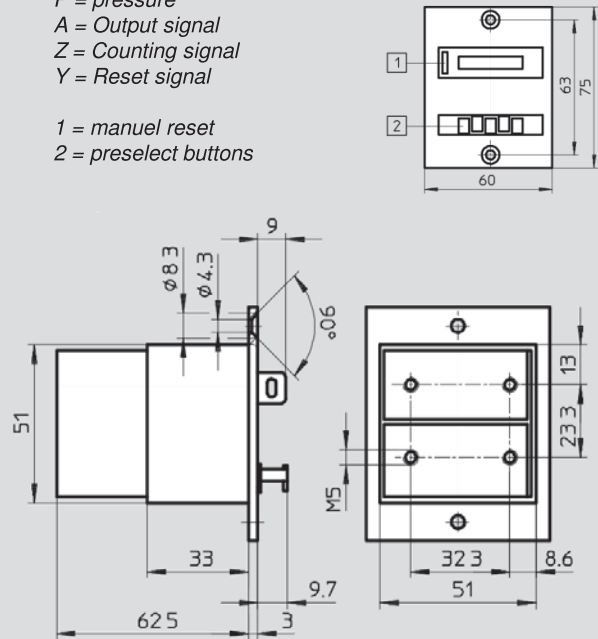
This counter counts pneumatic signals backwards from a pre-set number. If zero is reached , the counter emits a pneumatic output signal. Output signal continious to be emitted until the counter is reset.

The counter is preset by pressing the reset key simultaneously keying in the preset value the Pre set number selected is retained when the counter is reset.

DRAWINGS

P = pressure
A = Output signal
Z = Counting signal
Y = Reset signal

1 = manuel reset
2 = preselect buttons



ORDERING CODE for a VALVE

3 DIGIT COUNTER WITH 3/2 n.c. subtracting

: SMVLJM5AZT03SA

Fluid	: Compressed filtered air without lubrication 20 µm filtered and non lubricated air highly recommended
Pressure range	: min.2 bar - max. 8 bar
Temperature range	: - 10 °C / + 60 °C
Responce pressure	: 0,4 bar – 0,8 bar
Drop - out pressure	: Drive 0,2 bar / Reset 0,15 bar
Min. Pulse duration	: Drive 10 ms. / Reset 180 ms
Min. interval duration	: Drive 15 ms. / Reset 50 ms
Digit number	: 3 digit
Resetting time	: 35 ms.
Connections	: M5 threads
Digit size	: 5 mm
Protection class	: IP 40
Counting system	: Subtracting
Weight	: 160 gr.

STROKE END POSITION SENSOR (contactless)



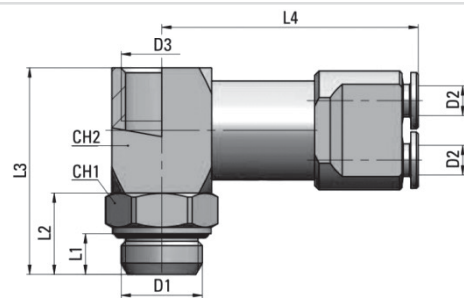
* with 4 mm tube fittings

Threshold sensor can detect a pressure drop via command signal. For max. performance this product should be used on to the inlet ports of the cylinder. When the piston rod completes its stroke, a command signal effects to the main pilot valve.

This sensor can be used only for sensing the end position of the piston rod. No intermediate positions are allowed.

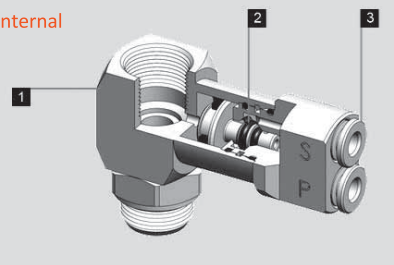
Major advantage is suitability of the exproof environments and the signal occurs contactless

DRAWING



D1	D2	D3	L1	L2	L3	L4	CH1	CH2	gr.
G 1/8"	4	G 1/8"	5	11	29,5	38	13	16	69
G 1/4"	4	G 1/4"	6,5	13	33	40	16	16	79
G 3/8"	4	G 3/8"	7	13	33	42	20	20	98

internal



- 1. BODY
BRASS NICKEL PLATED
- 2. O - RING
NBR
- 3. FITTINGS
4 mm FITTINGS

ORDERING CODE for a VALVE

1/8" STROKE END POSITION SENSOR	: SMVLJ1800M4SSS
1/4" STROKE END POSITION SENSOR	: SMVLJ1400M4SSS
3/8" STROKE END POSITION SENSOR	: SMVLJ3800M4SSS

Fluid : Compressed filtered air with or without lubrication

If lubrication used at ones must be continuous .

Pressure range : min.3 bar - max. 10 bar

Temperature range : 0 °C / + 60 °C

Version : 3/2 N.O. Pilot valve

Materials

Body : Nickel plated brass

Threads : Hollow screw 1/8" – 1/4" – 3/8" BSPP (parallel)

Seals : NBR

Fittings : 4 mm

Suitable hoses : 4 mm external calibrated PA – PU

Mounting : Inlet ports of the cylinder (recommended)

* depending upon the application , ports of the valve

Response time : On : 11 ms Off : 26 ms

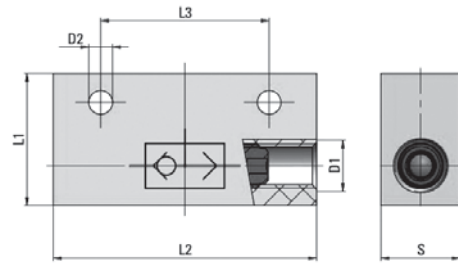
1/8" - 1/4" OR GATE



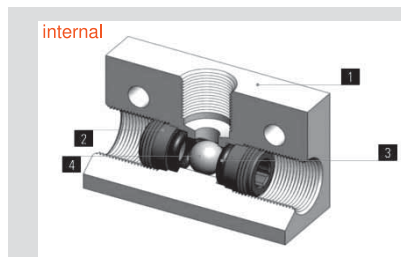
* Aluminium body

- * Aluminium body.
- * Max working pressure is 10 bar .
- * Stainless steel bowl .
- * Minimum working pressure is 1 bar
- * 1/8" - 1/4" ports
- * Suitable for oily or non oily applications

DRAWINGS



D1	D2	L1	L2	L3	S	gr.
G 1/8"	4,5	25	50	32	15	46
G 1/4"	5,5	30	52	35	25	76

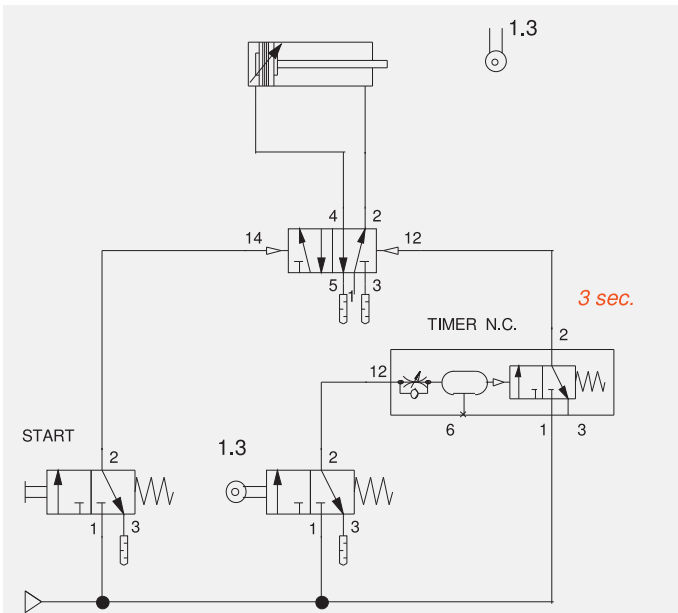


- 1. BODY
ANODIZED ALUMINIUM
- 2. SUPPORT
BRASS
- 3. SEALS
NBR
- 4. BOWL
STAINLESS STEEL

ORDERING CODE for a VALVE

1/8" OR GATE : SMR18M1800VEYA
 1/4" OR GATE : SMR14M1400VEYA

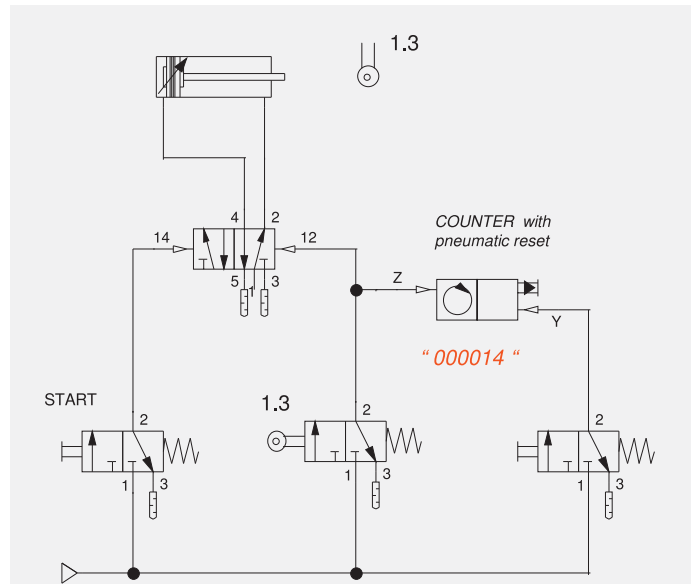
Fluid	: Compressed filtered air with or without lubrication
	If lubrication used at ones must be continuous .
Pressure range	: min.1 bar - max. 10 bar
Temperature range	: - 10 °C / + 60 °C
Version	: 1/8" or gate / 1/4" or gate
Materials	
Support	: Brass
Bowl	: Stainless steel
Seals	: NBR
Body	: Anodized aluminium
Orifice	: 1/8" - 3 mm / 1/4" - 6 mm
Mounting	: In any position
Flow rate	: 1/8" 250 nl / min. 1/4" 700 nl / min.



N.C. PNEUMATIC TIMER

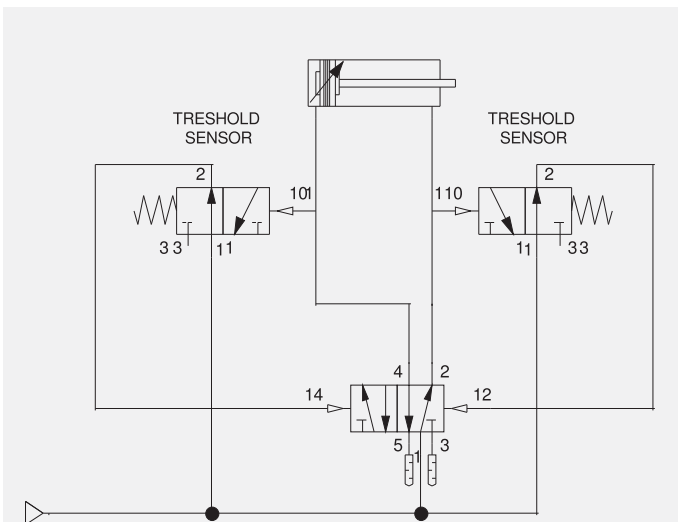
System begins to work by pressing the push button .
When the rot of the actuator pushes to the roller lever (1.3) system stops 3 sec.

After 3 sec. actuator rot comes to it's neutral place .



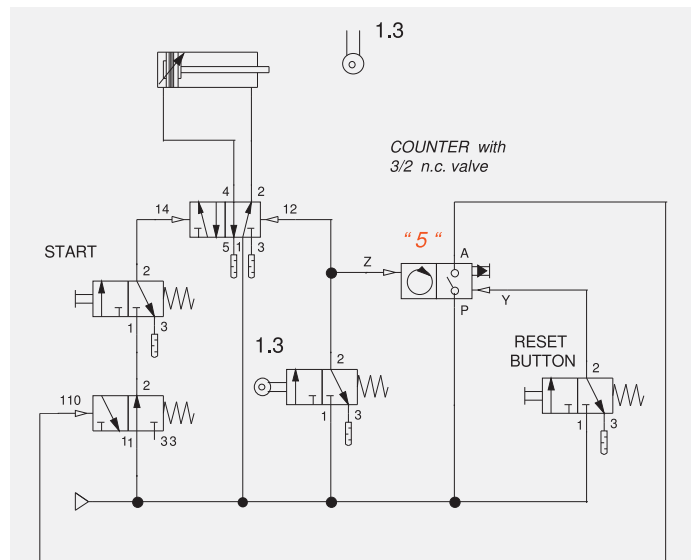
6 DIGIT COUNTER

By pressing the start button , rot of the actuator begins to move . Counter , receives the pulses from the roller lever valve (1.3) . With that way the numbers increases on to the counter. Reset button , resets the numbers of the counter and 000000 shown on to the screen .
Same puls activates also the main control valve .



TRESHOLD SENSOR

Pneumatic cylinder works continuously when the pressured air is opened .
Roller lever valve does not needed when treshold sensor used .



3 DIGIT COUNTER

Because of the counter has been set to " 5 " , the system can work 5 times by pressing the start button .
After 5 times system stops .
By pressing the reset button ,system can work 5 times more and it stops again. Roller lever valve (1.3) gives a puls to a counter for counting .

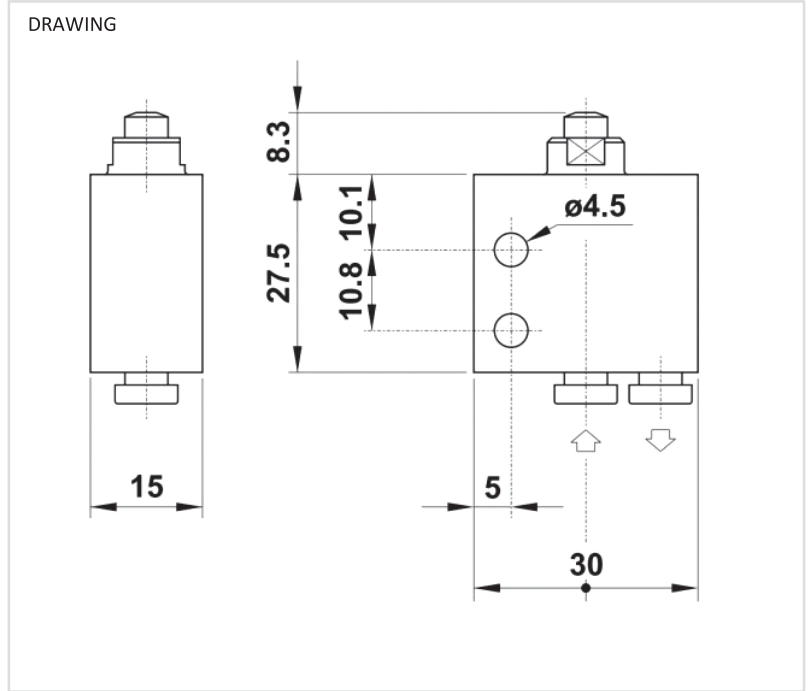
PLUNGER VALVES (3/2 - N.C. / N.O. - 4 mm tube)

3/2 - 4 mm N.C. / N.O.



- * Flow rate is 50 NI / min. at 6 bar .
- * Max working pressure is 10 bar .
- * Aluminium body.
- * Minimum working pressure is 1 bar
- * Working system is poppet
- * Low actuating signal

DRAWING



ORDERING CODE for a VALVE

3/2 - 4 mm N.C. PLUNGER VALVE
3/2 - 4 mm N.O. PLUNGER VALVE

: SMV3204PI00MNK
: SMV3204PI00MNA

Fluid	: Compressed Air
	suitable for non oily applications
Pressure range	: Min. 1 bar - Max. 10 bar
Temperature range	: - 10 °C / + 60 °C
Version	: 3/2 - 4 mm N.C. / N.O. Poppet activated valve

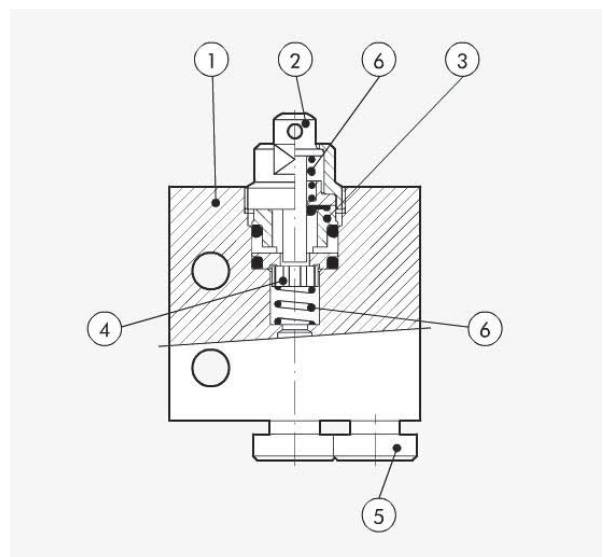
Internal & External parts

Body	: Aluminium anodized
Plunger	: Chemically nickel plated brass
Seals	: NBR
Tube connections	: 4 mm quick connect fittings
Orifice	: 2,5 mm
Mounting	: In any position
Flow rate	: 50 NI/ min.
Fixing holes	: 2 * 4,5 mm
Actuating force at 6 bar	: 8 N (for plunger)

		<p>PUSH BUTTON – SPRING RETURN (green – red – black – white)</p>	
		<p>MUSHROOM BUTTON – SPRING RETURN (red)</p>	
		<p>EMERGENCY BUTTON – DETENDED (red)</p>	
		<p>HAND LEVER</p>	
		<p>BUTTON – VALVE ADAPTOR</p>	
		<p>Cod. SMVBU0000ADAP</p>	

INTERNAL VIEW OF MINI PLUNGER VALVE

- 1) Aluminium body
- 2) Chemically nickel – plated brass
- 3) Brass support
- 4) Nbr gaskets
- 5) Push – in fittings 4 mm
- 6) Stainless steel spring



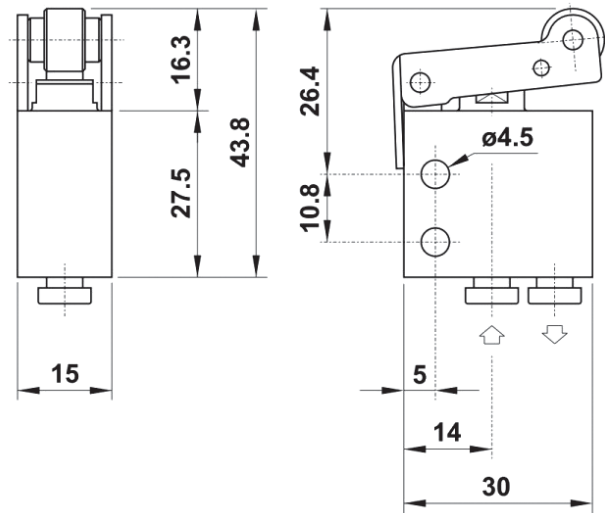
ROLLER LEVER VALVES (3/2 - N.C. – 4 mm tube)

3/2 – 4 mm N.C.



- * Flow rate is 50 NI / min. at 6 bar .
- * Max working pressure is 10 bar .
- * Aluminium body.
- * Minimum working pressure is 1 bar
- * Working system is poppet
- * Low actuating signal

DRAWING



ORDERING CODE for a VALVE

3/2 – 4 mm N.C. ROLLER LEVER VALVE

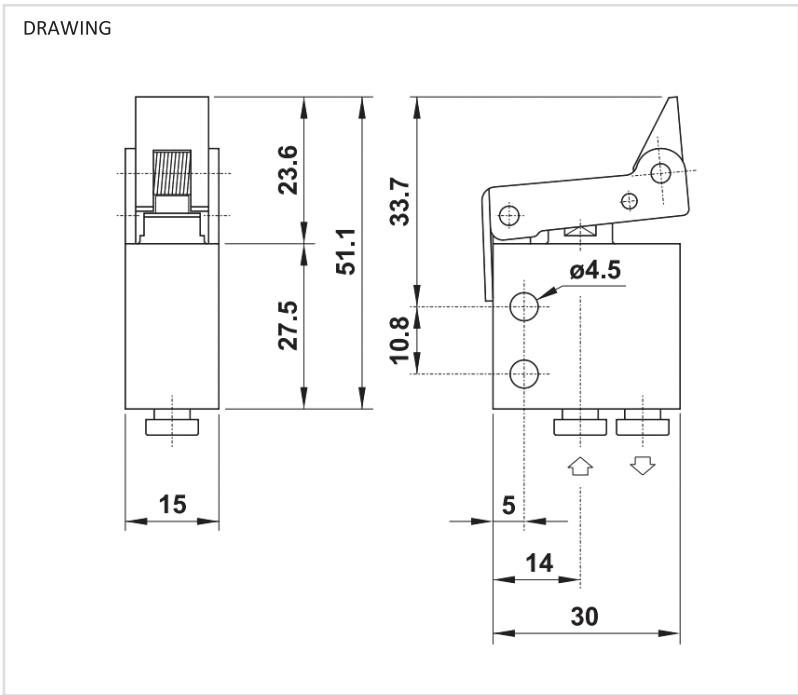
: SMV3204MV00MKNK

Fluid	: Compressed Air
	suitable for non oily applications
Pressure range	: Min. 1 bar - Max. 10 bar
Temperature range	: - 10 °C / + 60 °C
Version	: 3/2 – 4 mm N.C. Poppet activated valve

Internal & External parts

Body	: Aluminium anodized
Plunger	: Chemically nickel plated brass
Seals	: NBR
Tube connections	: 4 mm quick connect fittings
Orifice	: 2,5 mm
Mounting	: In any position
Flow rate	: 50 NI/ min.
Fixing holes	: 2 * 4,5 mm
Actuating force at 6 bar	: 8 N (for plunger)

ROLLER LEVER VALVES one – way (3/2 - N.C. – 4 mm tube)



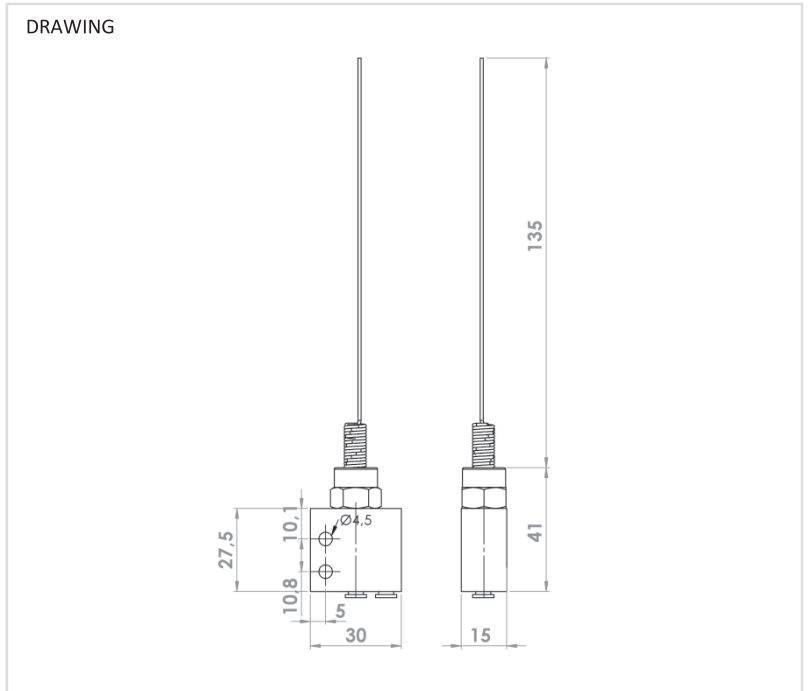
- * Flow rate is 50 NI / min. at 6 bar .
- * Max working pressure is 10 bar .
- * Aluminium body.
- * Minimum working pressure is 1 bar
- * Working system is poppet
- * Low actuating signal

ORDERING CODE for a VALVE

3/2 – 4 mm N.C. ROLLER LEVER VALVE (one – way) : SMV3204MM00MNK

Fluid	: Compressed Air
	suitable for non oily applications
Pressure range	: Min. 1 bar - Max. 10 bar
Temperature range	: - 10 °C / + 60 °C
Version	: 3/2 – 4 mm N.C. Poppet activated valve
Internal & External parts	
Body	: Aluminium anodized
Plunger	: Chemically nickel plated brass
Seals	: NBR
Tube connections	: 4 mm quick connect fittings
Orifice	: 2,5 mm
Mounting	: In any position
Flow rate	: 50 NI/ min.
Fixing holes	: 2 * 4,5 mm
Actuating force at 6 bar	: 8 N (for plunger)

AERIAL INTEGRATED VALVE (3/2 - N.C. – 4 mm tube)



- * Flow rate is 50 NI / min. at 6 bar .
- * Max working pressure is 10 bar .
- * Aluminium body.
- * Minimum working pressure is 1 bar
- * Working system is poppet
- * Low actuating signal

ORDERING CODE for a VALVE

3/2 – 4 mm N.C. AERIAL INTEGRATED VALVE

: SMV3204AV00MNK

Fluid	: Compressed Air
	suitable for non oily applications
Pressure range	: Min. 1 bar - Max. 10 bar
Temperature range	: - 10 °C / + 60 °C
Version	: 3/2 – 4 mm N.C. Poppet activated valve
Internal & External parts	
Body	: Aluminium anodized
Plunger	: Chemically nickel plated brass
Seals	: NBR
Tube connections	: 4 mm quick connect fitting
Orifice	: 2,5 mm
Mounting	: In any position
Flow rate	: 50 NI/ min.
Fixing holes	: 2 * 4,5 mm
Actuating force at 6 bar	: 8 N (for plunger)

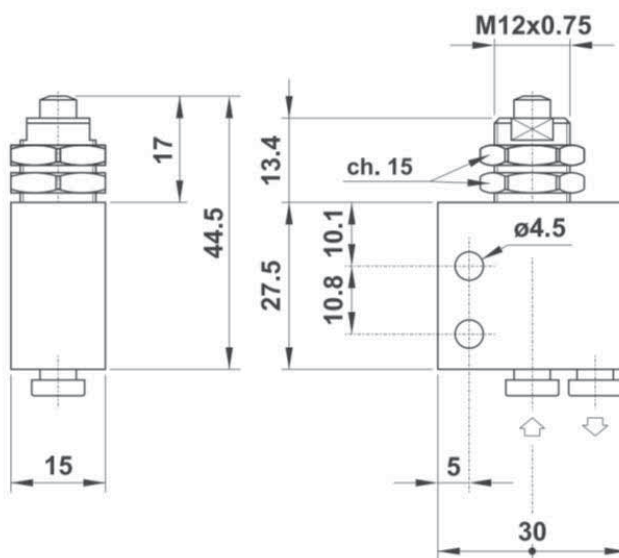
PLUNGEER VALVE panel mounted (3/2 - N.C. – 4 mm tube)

3/2 – 4 mm N.C.



- * Flow rate is 50 NI / min. at 6 bar .
- * Max working pressure is 10 bar .
- * Aluminium body.
- * Minimum working pressure is 1 bar
- * Working system is poppet
- * Low actuating signal

DRAWING



ORDERING CODE for a VALVE

3/2 – 4 mm N.C. PLUNGER VALVE (panel mounted) : SMV3204PIPBMNK

Fluid	: Compressed Air
	suitable for non oily applications
Pressure range	: Min. 1 bar - Max. 10 bar
Temperature range	: - 10 °C / + 60 °C
Version	: 3/2 – 4 mm N.C. Poppet activated valve

Internal & External parts

Body	: Aluminium anodized
Plunger	: Chemically nickel plated brass
Seals	: NBR
Tube connections	: 4 mm quick connect fittings

Orifice : 2,5 mm

Mounting : In any position

Flow rate : 50 NI/ min.

Fixing holes : 2 * 4,5 mm

Actuating force at 6 bar : 8 N (for plunger)

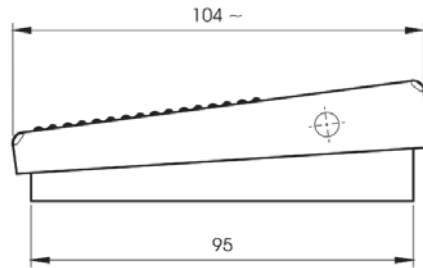
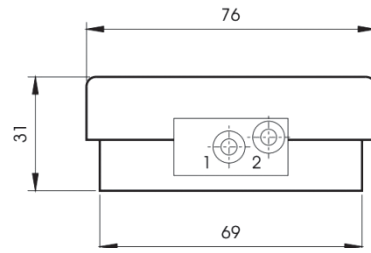
PEDAL VALVE (3/2 - N.C. / N.O. – 4 mm tube)

3/2 – 4 mm N.C. / N.O.



- * Flow rate is 50 NI / min. at 6 bar .
- * Max working pressure is 10 bar .
- * Aluminium body.
- * Minimum working pressure is 1 bar
- * Working system is poppet
- * Low actuating signal

DRAWING



ORDERING CODE for a VALVE

3/2 – 4 mm N.C. PEDAL VALVE
 3/2 – 4 mm N.O. PEDAL VALVE

: SMV3204PV00TNK
 : SMV3204PV00TNA

Fluid	: Compressed Air suitable for non oily applications
Pressure range	: Min. 1 bar - Max. 10 bar
Temperature range	: - 10 °C / + 60 °C
Version	: 3/2 – 4 mm N.C. / N.O. Poppet pedal valve
Internal & External parts	
Body	: Technopolimer
Pedal spring	: Steel
Seals of the valve	: NBR
Tube connections	: 4 mm quick connect fittings
Orifice of the valve	: 2,5 mm
Mounting	: Pedal on upside position
Flow rate	: 50 NI/ min.

POPPET VALVES	 Pag. 2.1	 Pag. 2.2	 Pag. 2.3	 Pag. 2.4	 Pag. 2.5	 Pag. 2.5
1/8" VALVES	 Pag. 2.6	 Pag. 2.12	 Pag. 2.16	 Pag. 2.18	 Pag. 2.20	 Pag. 2.22
1/8" VALVES	 Pag. 2.24	 Pag. 2.26	 Pag. 2.28	 Pag. 2.32	 Pag. 2.35	 Pag. 2.37
SMX VALVES	 Pag. 2.38	 Pag. 2.40	 Pag. 2.42	 Pag. 2.44	 Pag. 2.45	 Pag. 2.45
1/4" VALVES & namur	 Pag. 2.46	 Pag. 2.54	 Pag. 2.58	 Pag. 2.62	 Pag. 2.64	 Pag. 2.65
1/2" VALVES	 Pag. 2.68	 Pag. 2.70	 Pag. 2.74	 Pag. 2.79	 Pag. 2.79	 Pag. 2.79
ISO VALVES	 Pag. 2.80	 Pag. 2.88	 Pag. 2.90	 Pag. 2.98	 Pag. 2.100	 Pag. 2.104
BRASS VALVES	 Pag. 2.106	 Pag. 2.107	 Pag. 2.108	 Pag. 2.109	 Pag. 2.111	 Pag. 2.111
MP VALVES	 Pag. 2.112	 Pag. 2.113	 Pag. 2.116	 Pag. 2.116	 Pag. 2.117	 Pag. 2.117
LOGIC VALVES	 Pag. 2.118	 Pag. 2.123	 Pag. 2.124	 Pag. 2.127	 Pag. 2.129	 Pag. 2.130
MINI VALVES	 Pag. 2.132	 Pag. 2.133	 Pag. 2.134	 Pag. 2.135	 Pag. 2.136	 Pag. 2.138

Certificate of Registration



This is to certify that the Quality Management System of
SEMAKMATİK San. ve Tic. Ltd. Şti.

Yedpa Tic. Merkezi B.Cad. No.65 /- 66 Kayışdağı , Umraniye , İstanbul , Turkey
applicable to

Sales and installation of pneumatic equipments

has been assessed and registered by NQA against the provisions of

BS EN ISO 9001 : 2008

This registration is subject to the company maintaining a quality management system,
to the above standard, which will be monitored by NQA

Adnan İnce

Certification Director

Certificate No:
Date:
Valid Until:
EAC code:

39272
20 September 2013
20 September 2016
18/28

The use of the UKAS Accreditation Mark indicates accreditation in respect of those activities covered by the accreditation certificate number 018 held by NQA.
NQA is a trading division of Apertiva Group Ltd, Registration No. 02513162, Registered Office: Warwick House, Houghton Hall Park, Houghton Regis, Dunstable, Bedfordshire, LU8 5ZK.
This certificate is the property of NQA and must be returned on request.

SEMAKMATİK LTD. ŞTİ.

ISO 9001

CERTIFIED COMPANY



SEMAKMATİK

SAN. TİC. LTD. ŞTİ.

DARÜLACEZE CAD. PERPA TİC. MERKEZİ
B BLOK 11 / 1639 OKMEYDANI / İSTANBUL
TURKEY

TEL : 0090 212 221 27 80 FAX: 0090 212 221 20 46

www.semakmatik.com
semakmatik@semakmatik.com