

25. YIL
Since 1998



SINGLE SOLENOID VALVES



2 * 3/2 SOLENOID VALVES



NAMUR VALVES



2 * 3/2 AIR PILOT VALVES



MANUALLY OPERATED VALVES



PEDAL VALVE



SME 1/4" SERIE VALVES

SEMAK[®]MATIC
PNEUMATIC EQUIPMENTS

1/4" SME SERIE VALVES

SOLENOID VALVES & NAMUR

BASES / COILS / ACCESSORIES

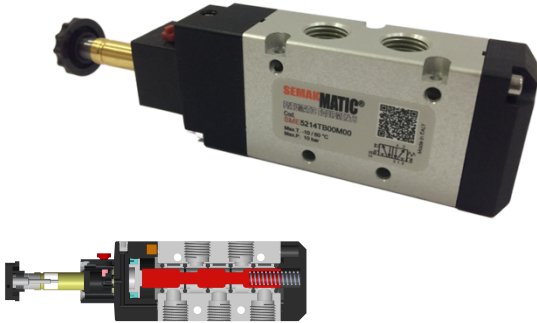
AIR PILOT VALVES

MANUALLY OPERATED VALVES

NEW PRODUCTS



1/4 " SME VALVES



☐ 3/2 SOLENOID VALVES

Pag. 1 - 2

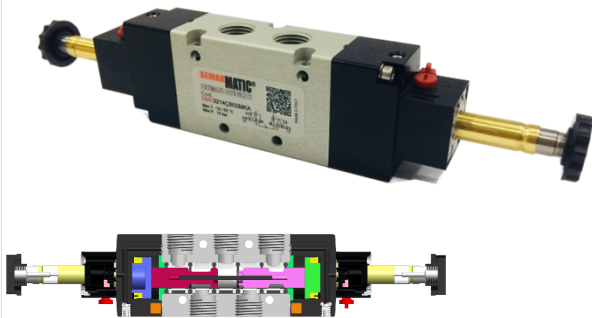
☐ 5/2 SOLENOID VALVES

Pag. 3 - 6

☐ 5/3 SOLENOID VALVES

Pag. 7 - 8

1/4 " SME VALVES



☐ 2 * 3/2 N.C. SOLENOID VALVE

Pag. 9 - 10

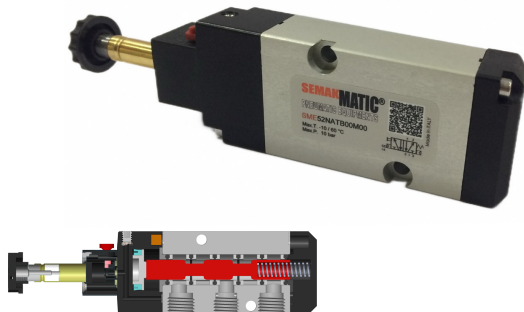
☐ 2 * 3/2 N.O SOLENOID VALVE

Pag. 9 - 10

☐ 2 * 3/2 N.C. + N.O. SOLENOID VALVE

Pag. 9 - 10

1/4 " SME VALVES



☐ 5/2 NAMUR SINGLE SOLENOID VALVE

Pag. 11 - 12

☐ 5/2 NAMUR SOLENOID BISTABLE VALVE

Pag. 13 - 14

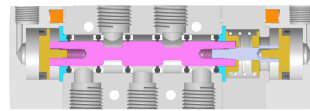
- ❑ STANDART & EXPROOF COILS Pag. 16
- ❑ SOCKETS Pag. 16
- ❑ BASES Pag. 17

1/4" SME VALVES



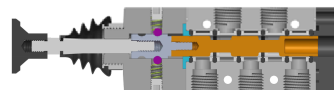
- ❑ 3/2 AIR PILOT VALVES Pag. 18
- ❑ 5/2 AIR PILOT VALVES Pag. 19 - 20
- ❑ 5/3 C.C. .. O.C. AIR PILOT VALVES Pag. 21 - 22
- ❑ 3/2 * 2 N.C. – N.O – N.O + N.C. Pag. 23 - 24

1/4" SME VALVES



- ❑ 3/2 – 5/2 – 5/3 HAND OPERATED VALVES Pag. 25 - 28
- ❑ 3/2 – 5/2 DRAWER VALVES Pag. 29 - 30
- ❑ 5/2 PEDAL VALVES Pag. 31
- ❑ **NEW PRODUCTS** Pag. 32

1/4" SME VALVES



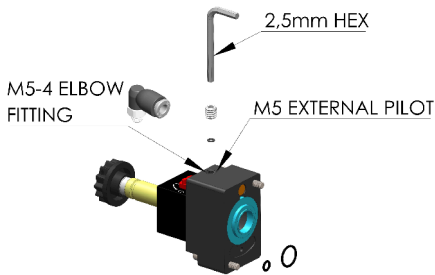
3/2 – 1/4" SINGLE SOLENOID N.C.



- ❑ Flow rate is 1000 NI / min. at 6 bar
- ❑ External pilot is available for all the solenoid serie with M5 thread
- ❑ Pneumatic connection ports 1.2.3. .. 1/4"
- ❑ Body Al. 2011 natural anodized
- ❑ Front cover Al. 2011 black anodized / Back cover Technopolimer
- ❑ Min. working pressure is 1,5 bar
- ❑ 3 cycle / sec. reachable max. life time with suitable Ødia. and stroke
- ❑ Suitable for vacuum and low pressure application with external pilot

For external pilot application,

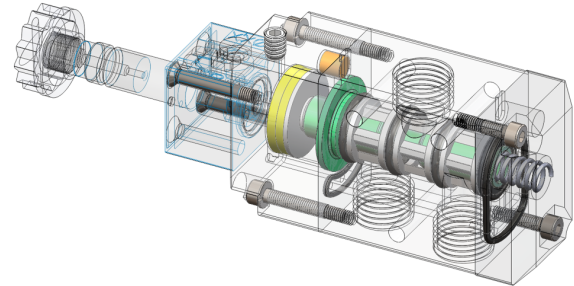
- 1) Unscrew the setskur
- 2) Take the o-ring out
- 3) Screw M5 threaded fitting
- 4) Disassemble the head of valve
- 5) Adapt the suitable o-ring (3 * 1) by closing the air pilot supply
- 6) Assemble the valve head



ORDERING CODES for a VALVE

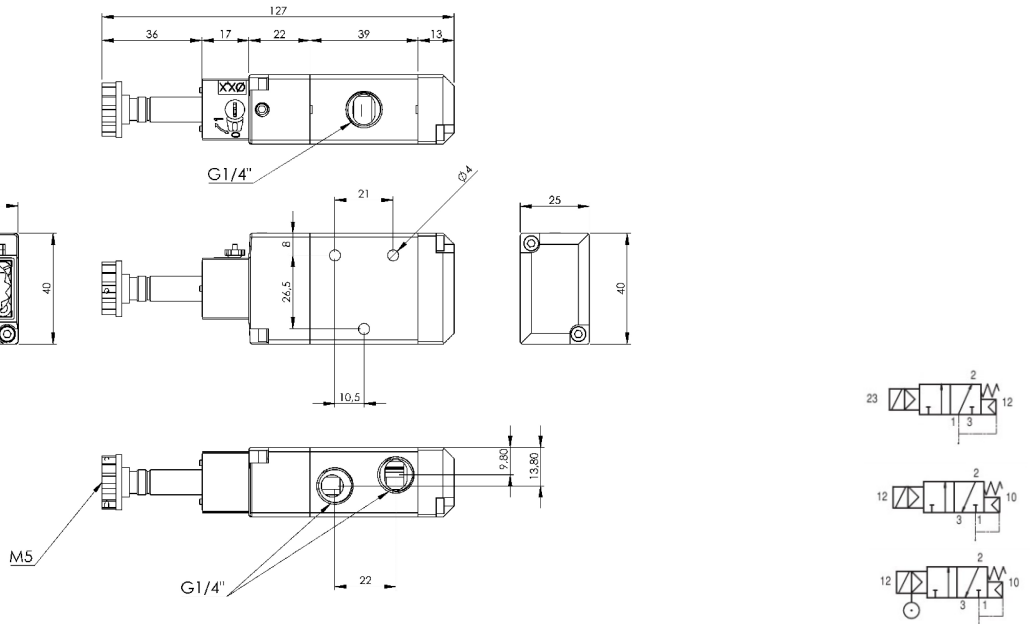
3/2 – 1/4" SINGLE SOLENOID n.c.	: SME3214TB00MNK
3/2 – 1/4" SINGLE SOLENOID n.c. external pilot	: SME3214TB00PMNK
3/2 – 1/4" SINGLE SOLENOID n.o.	: SME3214TB00MNA
3/2 – 1/4" SINGLE SOLENOID n.o. external pilot	: SME3214TB00PMNA

INTERNAL VIEW



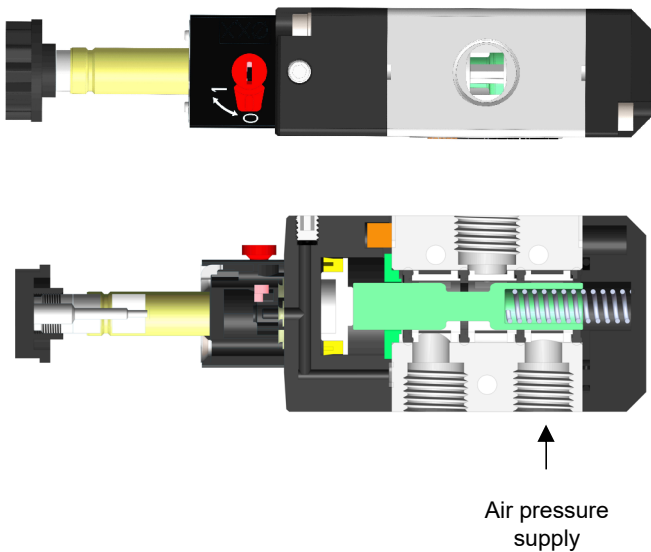
Fluid	: Compressed filtered air with or without lubrication If lubrication used at ones must be continuous .
Pressure range	: min.1,5 bar - max. 10 bar spring return with internal air pilot
Temperature range	: - 10 ° C / + 60 ° C
Version	: 3/2 - 1/4" spring return / external pilot / n.o. / n.c.
Materials	
Covers	: Front cover al. 2011 black colored anodized back cover technopolimer
spool	: Al. 6000 anodized 0,4 µm
Seals	: NBR
Body	: Natural anodized aluminium al. 2011
Nominal Orifice	: 7 mm
Mounting	: In any position
Flow rate	: 1.000 NI/ min. at 6 bar Δp 1 bar
Life time	: 3 cycle / sec. with suitable cylinder / 50.mio cycle life time under proper condition
Vacuum & low pressure app.	: Suitable with external pilot

DRAWING (N.C. / N.O.) (EXTERNAL PILOT)



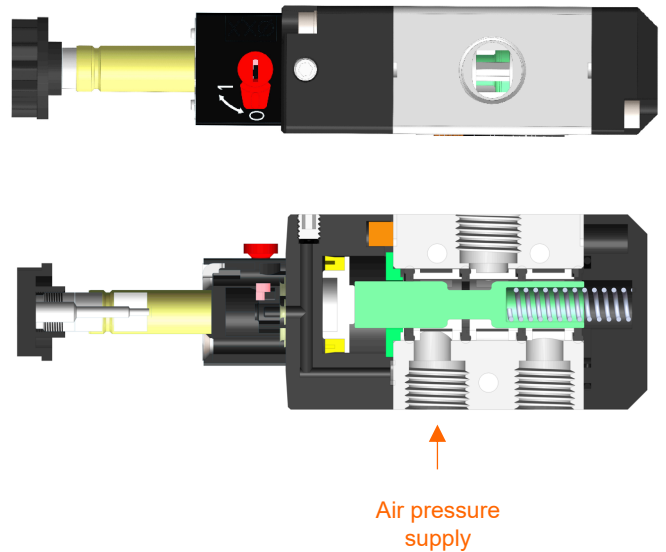
SOLID IMAGE

(3/2 single solenoid n.c.)



SOLID IMAGE

(3/2 single solenoid n.o.)



ACCESSORIES & SPARE PARTS



COILS & SOCKETS
(page 16)



4 * spool o-ring
1 * valve piston gasket

O- RING KIT
Cod. SMV1401A



9 mm BRASS
TUBE & NUCLEUS
Cod. SMV1802



MAXI POPPET VALVE
Cod. SMV3218TBP3MNK



BASES &
BLANKING PLATE
(page 17)

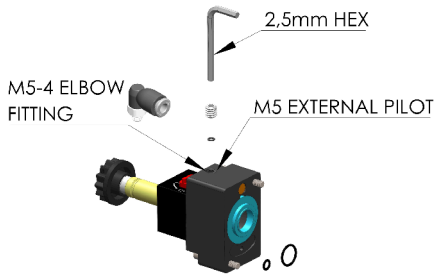
5/2 – 1/4" SINGLE SOLENOID (spring return / external pilot)



- ❑ Flow rate is 1000 NI / min. at 6 bar
- ❑ External pilot is available for all the solenoid serie with M5 thread
- ❑ Pneumatic connection ports 1.2.3.4.5 .. 1/4"
- ❑ Body Al. 2011 natural anodized
- ❑ Front cover Al. 2011 black anodized / Back cover Technopolimer
- ❑ Min. working pressure is 1,5 bar
- ❑ 3 cycle / sec. reachable max. life time with suitable Ø dia. and stroke
- ❑ Suitable for vacuum and low pressure application with external pilot

For external pilot application,

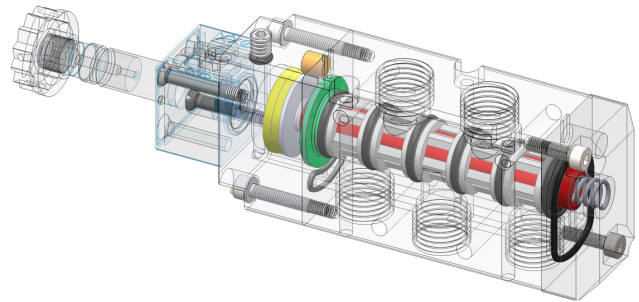
- 1) Unscrew the setskur
- 2) Take the o-ring out
- 3) Screw M5 threaded fitting
- 4) Disassemble the head of valve
- 5) Adapt the special shaped o-ring by closing the air pilot supply
- 6) Assemble the valve head



ORDERING CODES for a VALVE

- 5/2 – 1/4" SINGLE SOLENOID : SME5214TB00M00
- 5/2 – 1/4" SINGLE SOLENOID external pilot : SME5214TBDPM00

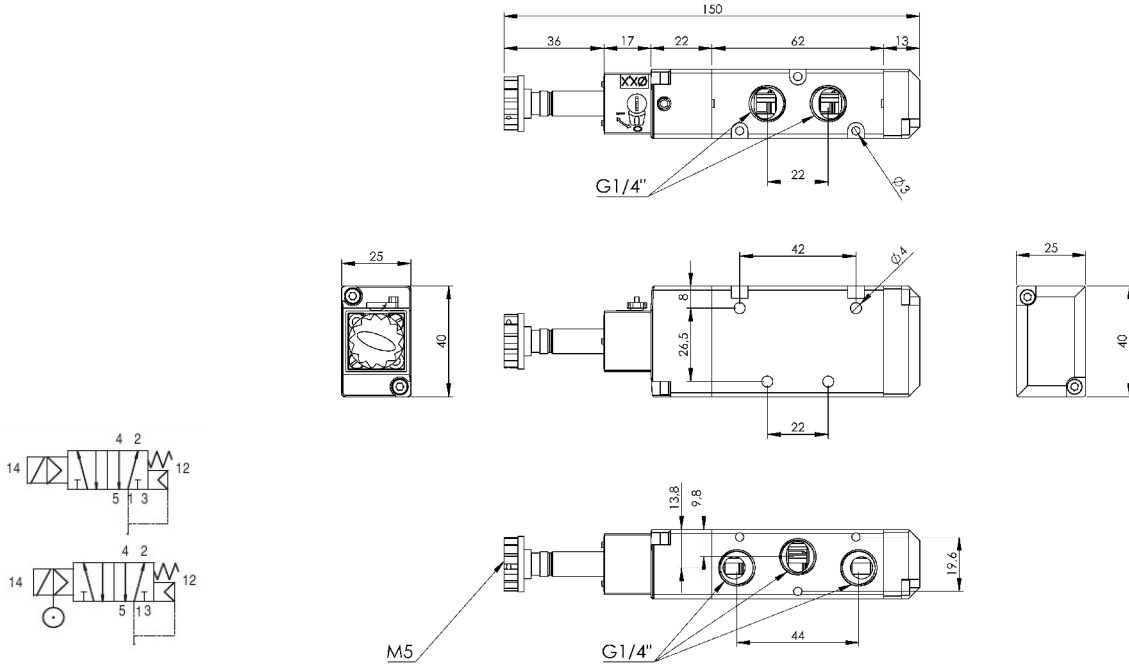
INTERNAL VIEW



Fluid	: Compressed filtered air with or without lubrication If lubrication used at ones must be continuous .
Pressure range	: min.1,5 bar max. 10 bar spring return with internal air pilot
Temperature range	: - 10 ° C / + 60 ° C
Version	: 5/2 - 1/4" spring return / external pilot
Materials	
Covers	: Front cover al. 2011 black colored anodized back cover technopolimer
spool	: Al. 6000 anodized 0,4 µm
Seals	: NBR
Body	: Natural anodized aluminium al. 2011
Nominal Orifice	: 7 mm
Mounting	: In any position
Flow rate	: 1.000 NI/ min. at 6 bar Δp 1 bar
Life time	: 3 cycle / sec. with suitable cylinder / 50 mio. cycle life time under proper condition
Vacuum & low pressure app.	: Suitable with external pilot

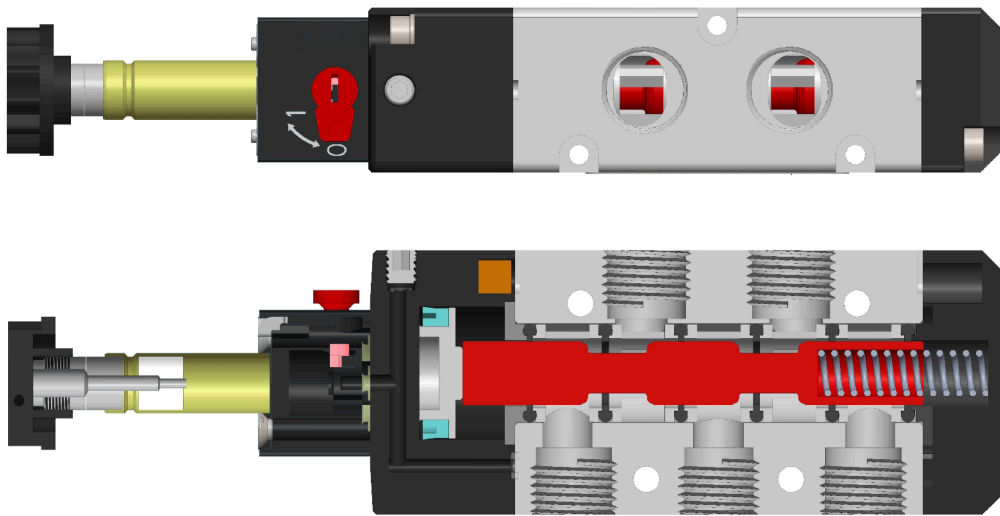
DRAWING

(5/2 spring return) (external pilot)



SOLID IMAGE

(5/2 single solenoid)



ACCESSORIES & SPARE PARTS



COILS & SOCKETS
(page 16)



6 * spool o-ring
1 * valve piston gasket

O- RING KIT
Cod. SMV1401



9 mm BRASS
TUBE & NUCLEUS
Cod. SMV1802

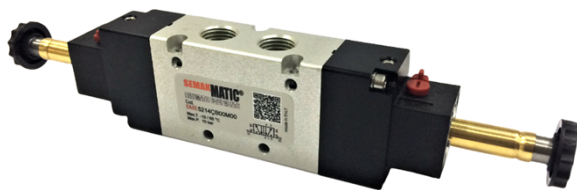


MAXI POPPET VALVE
Cod. SMV3218TBP3MNK



BASES &
BLANKING PLATE
(page 17)

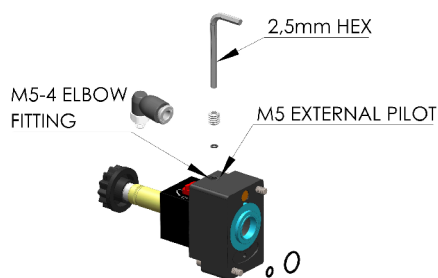
5/2 – 1/4" DOUBLE SOLENOID (bistable / external pilot)



- ❑ Flow rate is 1000 NI / min. at 6 bar
- ❑ External pilot is available for all the solenoid serie with M5 thread
- ❑ Pneumatic connection ports 1.2.3.4.5 .. 1/4"
- ❑ Body Al. 2011 natural anodized
- ❑ Front cover Al. 2011 black anodized
- ❑ Min. working pressure is 1 bar
- ❑ 4 cycle / sec. reachable max. life time with suitable Ø dia. and stroke

For external pilot application,

- 1) Unscrew the setskur
- 2) Take the o-ring out
- 3) Screw M5 threaded fitting
- 4) Disassemble the head of valve
- 5) Adapt the special shaped o-ring by closing the air pilot supply
- 6) Assemble the valve head

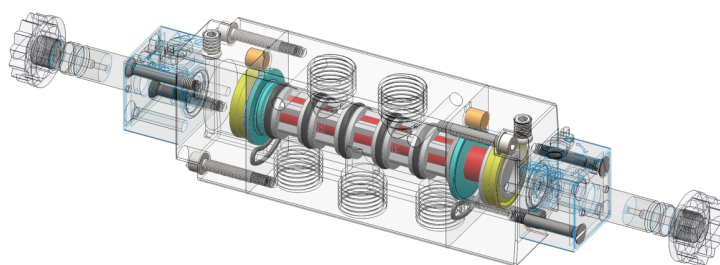


ORDERING CODES for a VALVE

5/2 – 1/4" BISTABLE

: SME5214CB00M00

INTERNAL VIEW



Fluid : Compressed filtered air with or without lubrication

If lubrication used at ones must be continuous .

Pressure range : min.1 bar max. 10 bar

Temperature range : - 10 ° C / + 60 ° C

Version : 5/2 - 1/4" bistable double solenoid

Materials

Covers : Front cover al. 2011 black colored anodized

spool : Al. 6000 anodized 0,4 µm

Seals : NBR

Body : Natural anodized aluminium al. 2011

Nominal Orifice : 7 mm

Mounting : In any position

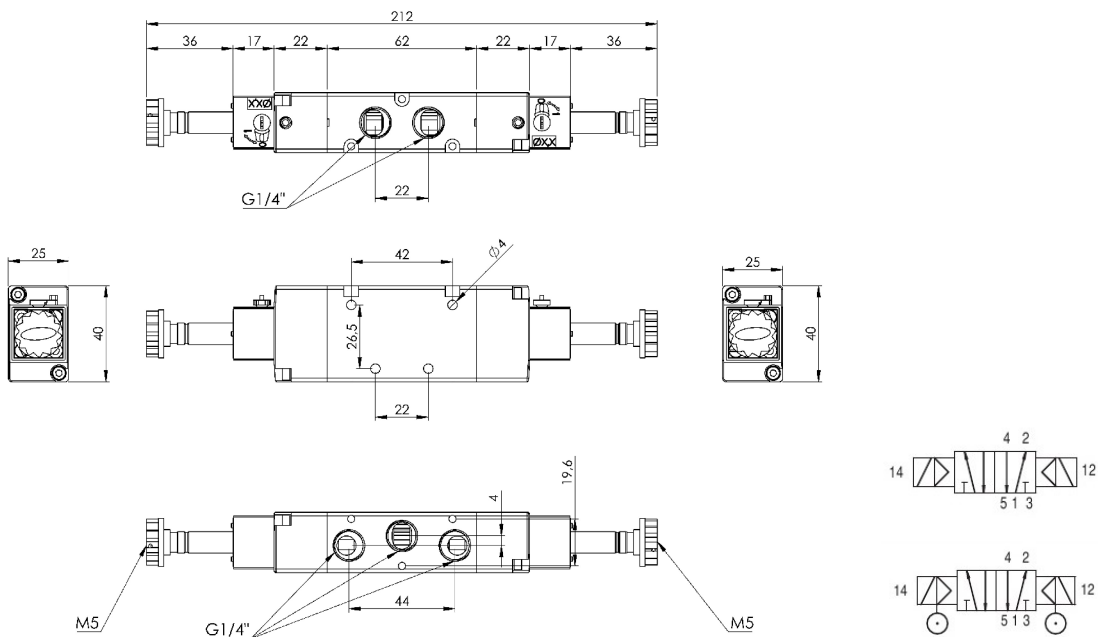
Flow rate : 1.000 NI/ min. at 6 bar Δp 1 bar

Life time : 3 cycle / sec. with suitable cylinder / 50 mio cycle life time under proper condition

Customization : Please look at page 32

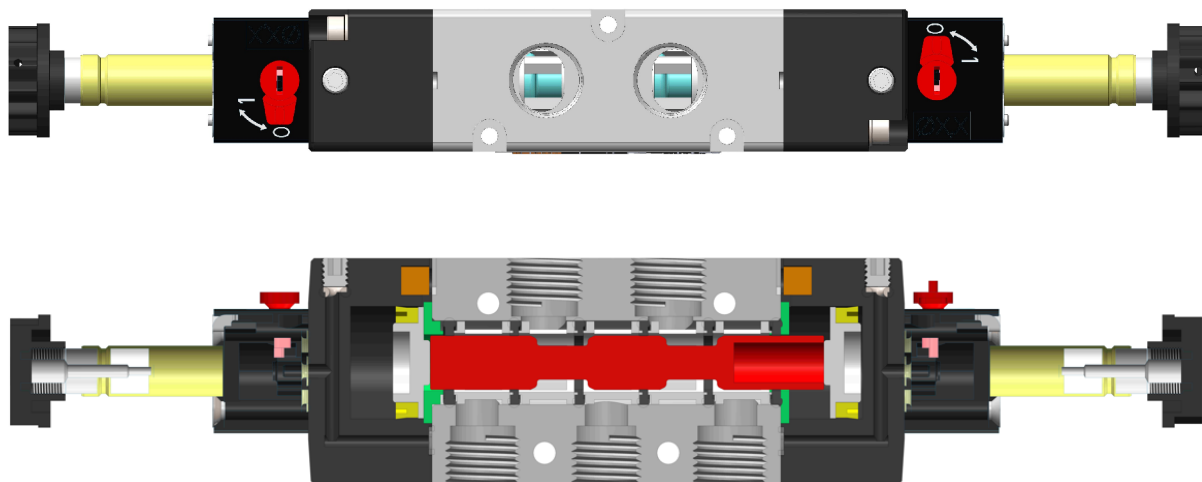
DRAWING

(5/2 bistable) (external pilot)



SOLID IMAGE

(5/2 bistable solenoid)



ACCESSORIES & SPARE PARTS



COILS & SOCKETS
(page 16)



6 * spool o-ring
2 * valve piston gasket
O- RING KIT
Cod. SMV1401B



9 mm BRASS
TUBE & NUCLEUS
Cod. SMV1802



9 mm BRASS
TUBE & NUCLEUS
Cod. SMV3218TBP3MNK



BASES &
BLANKING PLATE
(page 17)

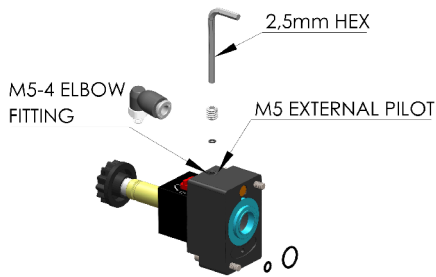
5/3 – 1/4" DOUBLE SOLENOID (open center / external pilot)



- ❑ Flow rate is 750 NI / min. at 6 bar
- ❑ External pilot is available for all the solenoid serie with M5 thread
- ❑ Pneumatic connection ports 1.2.3.4.5 .. 1/4"
- ❑ Body Al. 2011 natural anodized
- ❑ Front cover Al. 2011 black anodized
- ❑ Min. working pressure is 3 bar
- ❑ 2 cycle / sec. reachable max. life time with suitabel Ø dia. and stroke
- ❑ Suitable for vacuum and low pressure application with external pilot

For external pilot application,

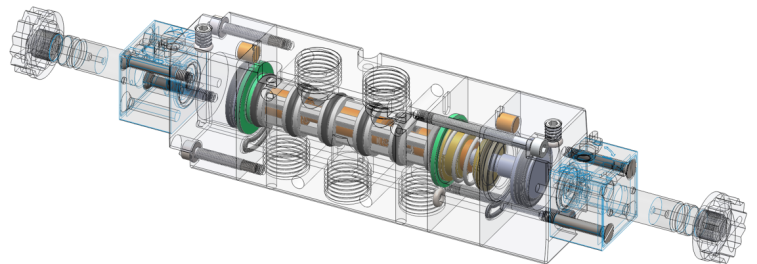
- 1) Unscrew the setskur
- 2) Take the o-ring out
- 3) Screw M5 threaded fitting
- 4) Disassemble the head of valve
- 5) Adapt the special shaped o-ring by closing the air pilot supply
- 6) Assemble the valve head



ORDERING CODES for a VALVE

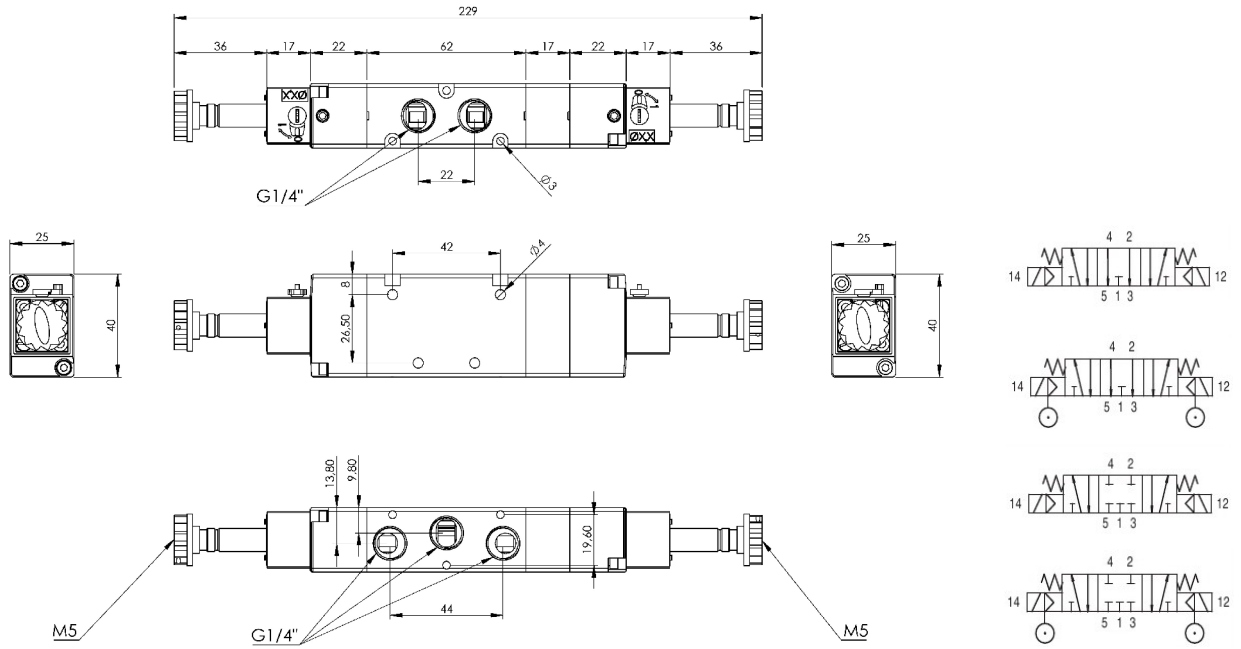
5/3 – 1/4" DOUBLE SOLENOID C.C	: SME5314CB00MKM
5/3 – 1/4" DOUBLE SOLENOID C.C. external pilot	: SME5314CBDPMKM
5/3 – 1/4" DOUBLE SOLENOID O.C.	: SME5314CB00MAM
5/3 – 1/4" DOUBLE SOLENOID O.C. external pilot	: SME5314CBDPMAM

INTERNAL VIEW



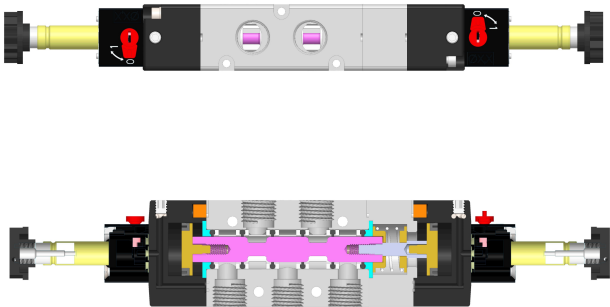
Fluid	: Compressed filtered air with or without lubrication
	If lubrication used at ones must be continious .
Pressure range	: min. 3 bar - max. 10 bar
Temperature range	: - 10 ° C / + 60 ° C
Version	: 5/3 - 1/4" double solenoid / closed center / open center / external pilot
Materials	
Covers	: Front cover al. 2011 black colored anodized
spool	: Al. 6000 anodized 0,4 µm
Seals	: NBR
Body	: Natural anodized aluminium al. 2011
Orifice	: 7 mm
Mounting	: In any position
Flow rate	: 750 NI/ min at 6 bar
Cycle per min.	: 120 cycle / min (from port 2 or port 4 to neutral position)
Vacuum	: Suitable with external pilot version

DRAWING 5/3 (closed center) (open center)



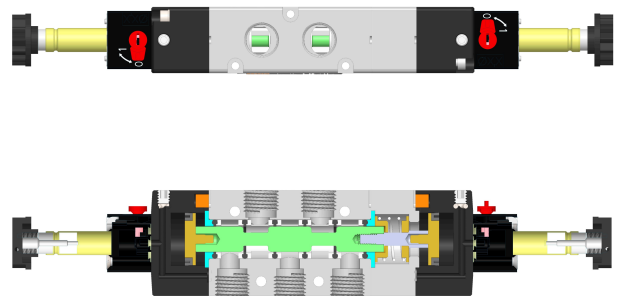
SOLID IMAGE

(5/3 closed center)



SOLID IMAGE

(5/3 open center)



ACCESSORIES & SPARE PARTS



COILS & SOCKETS
(page 16)



6 * spool o-ring
2 * valve piston gasket
O- RING KIT
Cod. SMV1401B



9 mm BRASS
TUBE & NUCLEUS
Cod. SMV1802



MAXI POPPET VALVE
Cod. SMV3218TBP3MNK



BASES &
BLANKING PLATE
(page 17)

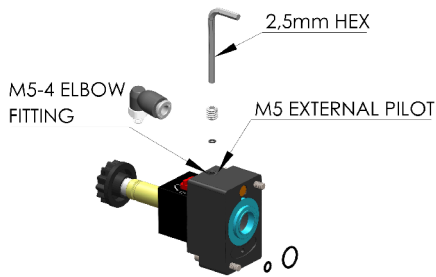
3/2 – 1/4" DOUBLE SOLENOID (n.c. + n.o.)



- ❑ Flow rate is 600 NI / min. at 6 bar
- ❑ 2 * 3/2 n.c. / 2 * 3/2 n.o. / 3/2 n.c. + 3/2 n.o.
- ❑ Pneumatic connection ports 1.2.3.4.5 .. 1/4"
- ❑ Body Al. 2011 grey anodized
- ❑ Front cover Al. 2011 black anodized
- ❑ Min. working pressure is 1,5 bar
- ❑ 3 cycle / sec. reachable max. life time under proper condition of actuator
- ❑ NOT suitable for vacuum and external pilot application

For external pilot application,

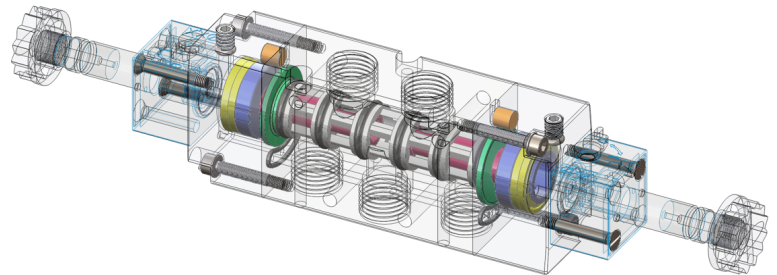
- 1) Unscrew the setskur
- 2) Take the o-ring out
- 3) Screw M5 threaded fitting
- 4) Disassemble the head of valve
- 5) Adapt the special shaped o-ring by closing the air pilot supply
- 6) Assemble the valve head



ORDERING CODES for a VALVE

- 2 * 3/2 – 1/4" DOUBLE SOLENOID 2 * n.c. : SME3214CB02MNK
- 2 * 3/2 – 1/4" DOUBLE SOLENOID 2 * n.o. : SME3214CB02MNA
- 2 * 3/2 – 1/4" DOUBLE SOLENOID n.c. + n.o. : SME3214CB02MKA

INTERNAL VIEW (2 * 3/2 N.C.)



Fluid : Compressed filtered air with or without lubrication

If lubrication used at ones must be continuous .

Pressure range : min.1,5 bar max. 10 bar

Temperature range : - 10 ° C / + 60 ° C

Version : 2 * 3/2 - 1/4" double solenoid air pilot return

Materials

Covers : Covers al. 2011 grey colored anodized

spool : Al. 6000 anodized 0,4 µm

Seals : NBR

Body : Natural anodized aluminium al. 2011

Nominal Orifice : 7 mm

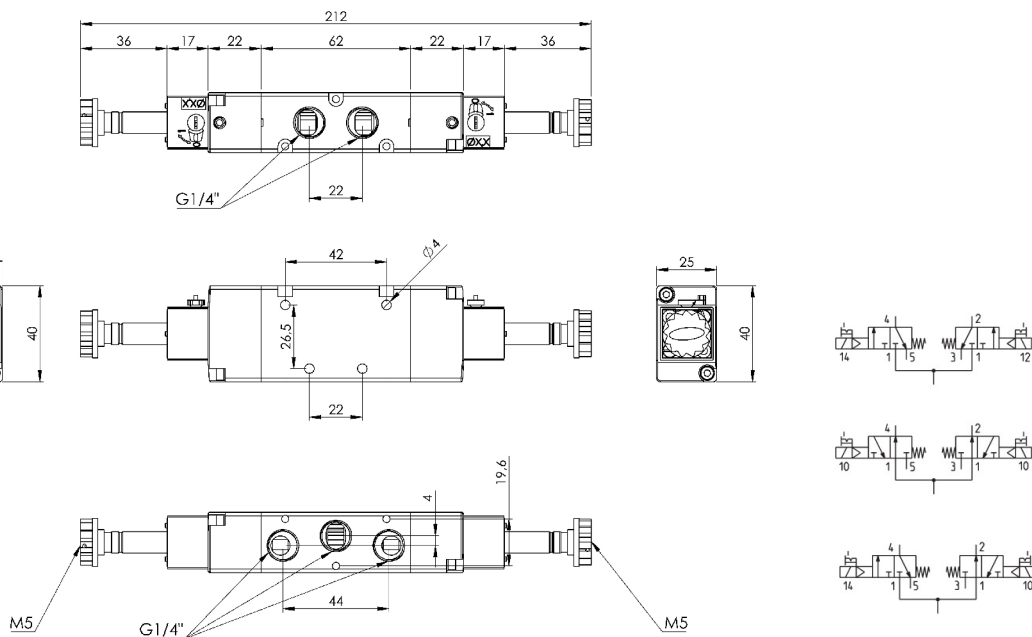
Mounting : In any position

Flow rate : 600 NI/ min. at 6 bar Δp 1 bar

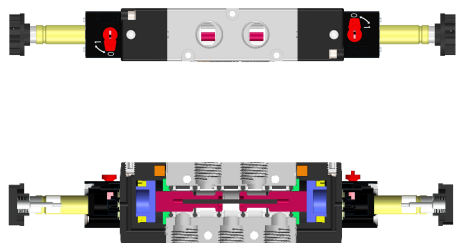
Life time : 3 cycle / sec. with suitable cylinder / 50.000 cycle life time under proper condition

Vacuum : Not possible

DRAWING (2 * 3/2 N.C. / N.O. / N.C. + N.O.)

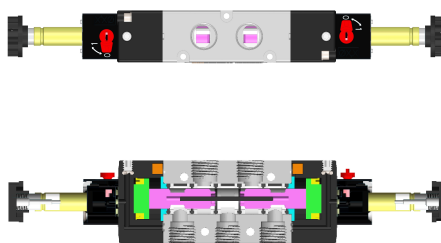


(2 * 3/2 N.C.)



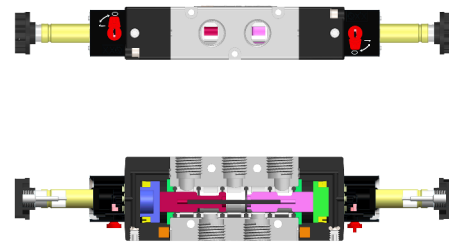
Ordering code : SME3214CB02MNK

(2 * 3/2 N.O.)



Ordering code : SME3214CB02MNA

(3/2 N.C + 3/2 N.O.)



Ordering code : SME3214CB02MKA

ACCESSORIES & SPARE PARTS



COILS & SOCKETS
(page 16)



6 * spool o-ring
2 * valve piston gasket

O- RING KIT
Cod. SMV1401B



9 mm BRASS
TUBE & NUCLEUS
Cod. SMV1802



MAXI POPPET VALVE
Cod. SMV3218TBP3MNK



BASES &
BLANKING PLATE
(page 17)

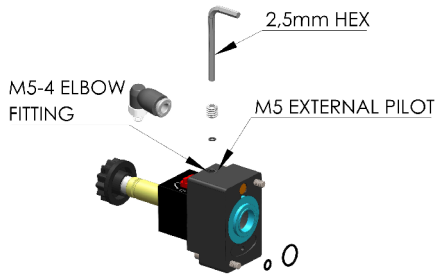
5/2 – NAMUR SINGLE SOLENOID



- ❑ Flow rate is 1000 NI / min. at 6 bar
- ❑ External pilot is available for all the solenoid serie with M5 thread
- ❑ Pneumatic connection ports 1.3.5 .. 1/4" 2.4. namur standart
- ❑ Body Al. 2011 natural anodized
- ❑ Front cover Al. 2011 black anodized
- ❑ Min. working pressure is 1,5 bar

For external pilot application,

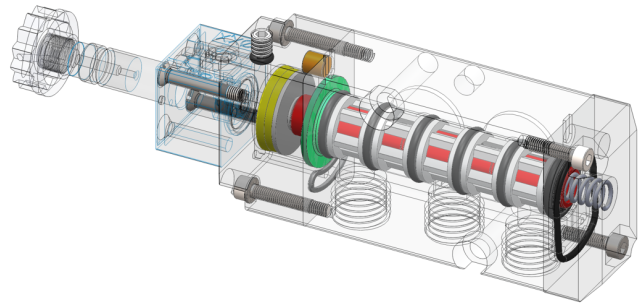
- 1) Unscrew the setskur
- 2) Take the o-ring out
- 3) Screw M5 threaded fitting
- 4) Disassemble the head of valve
- 5) Adapt the special shaped o-ring by closing the air pilot supply
- 6) Assemble the valve head



ORDERING CODES for a VALVE

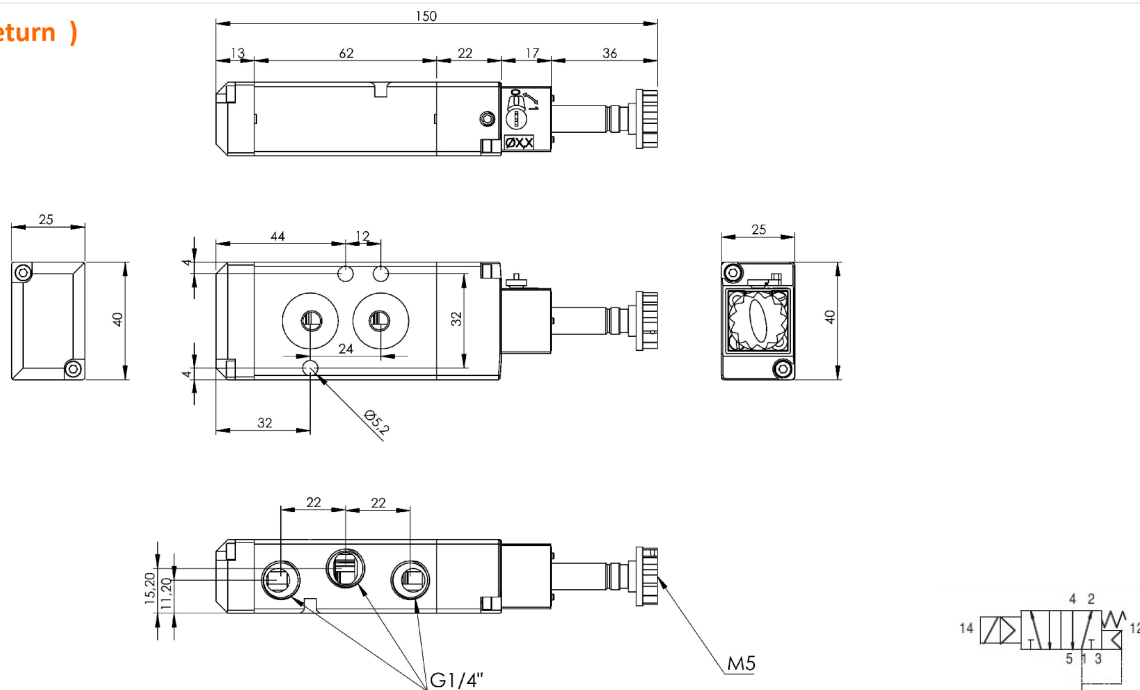
- 5/2 NAMUR SINGLE SOLENOID : SME52NATB00M00
- 5/2 NAMUR SINGLE SOLENOID EXTERNAL PILOT : SME52NATBDPM00

INTERNAL VIEW



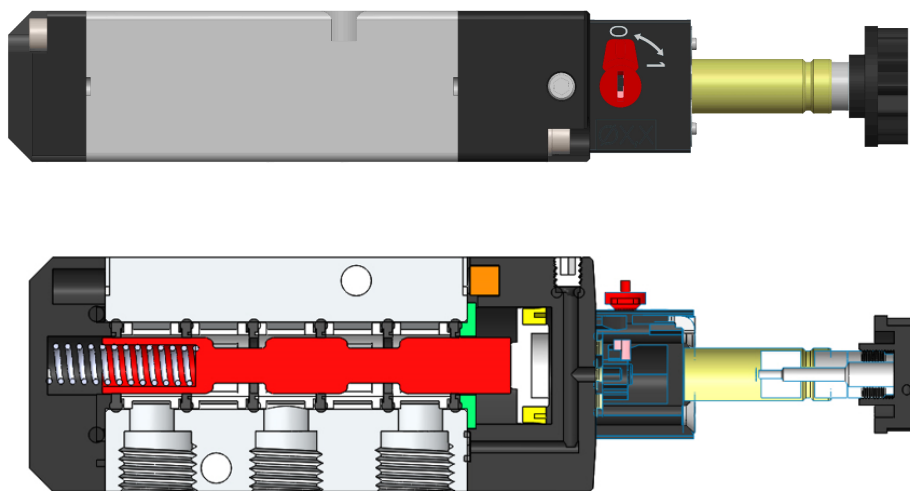
Fluid	:	Compressed filtered air with or without lubrication If lubrication used at ones must be continious .
Pressure range	:	min.1,5 bar - max. 10 bar spring return with internal air pilot
Temperature range	:	- 10 ° C / + 60 ° C
Version	:	5/2 - NAMUR single solenoid
Materials		
	Covers	: Front cover Al. 2011 black anodized / back cover Technopolimer
	spool	: Al. 6000 serie 0,4 µm
	Seals	: NBR
	Body	: Natural anodized aluminium al. 2011
Orifice	:	7 mm
Mounting	:	Supplied with 2 o-ring and a screw suitable for namur standart
Flow rate	:	1.000 NI/ min at 6 bar
Cycle per min.	:	Depends upon the actuator cycle
Exproof	:	Suitable to SEMAKMATIC serie exproof coils

DRAWING (5/2 spring return)



SOLID IMAGE

(5/2 namur single solenoid)



ACCESSORIES & SPARE PARTS



COILS & SOCKETS
(page 16)



6 * spool o-ring
1 * valve piston gasket

O- RING KIT
Cod. SMV1401



9 mm BRASS
TUBE & NUCLEUS
Cod. SMV1802

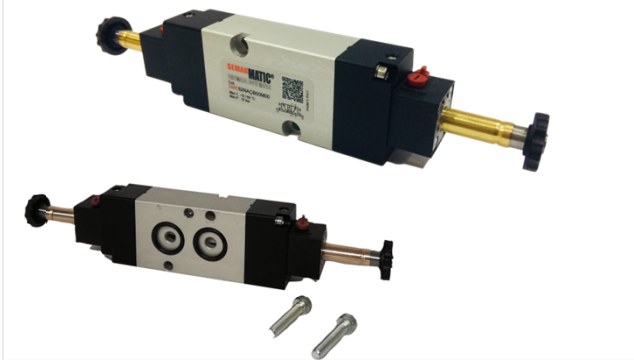


MAXI POPPET VALVE
Cod. SMV3218TBP3MNK



BASES &
BLANKING PLATE
(page 17)

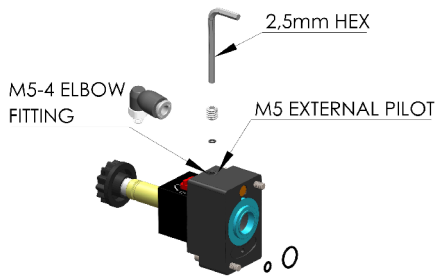
5/2 – NAMUR BISTABLE SOLENOID



- ❑ Flow rate is 1000 NI / min. at 6 bar
- ❑ External pilot is available for all the solenoid serie with M5 thread
- ❑ Pneumatic connection ports 1.3.5 .. 1/4" 2.4. namur standart
- ❑ Body Al. 2011 natural anodized
- ❑ Front cover Al. 2011 black anodized
- ❑ Min. working pressure is 1 bar

For external pilot application,

- 1) Unscrew the setskur
- 2) Take the o-ring out
- 3) Screw M5 threaded fitting
- 4) Disassemble the head of valve
- 5) Adapt the special shaped o-ring by closing the air pilot supply
- 6) Assemble the valve head

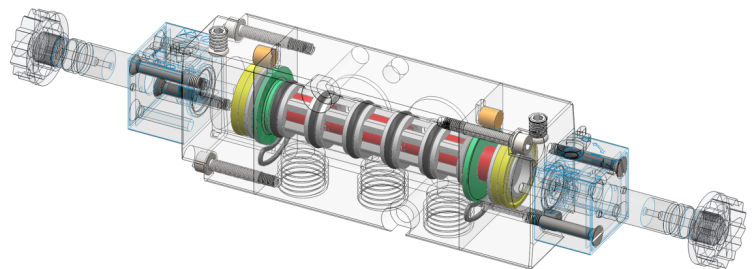


ORDERING CODES for a VALVE

5/2 BISTABLE DOUBLE SOLENOID

: SME52NACB00M00

INTERNAL VIEW



Fluid : Compressed filtered air with or without lubrication

If lubrication used at ones must be continious .

Pressure range : min.1 bar - max. 10 bar bistable double solenoid

Temperature range : - 10 ° C / + 60 ° C

Version : 5/2 – NAMUR double solenoid

Materials

Covers : Covers Al. 2011 grey anodized

spool : Al. 6000 serie 0,4 µm

Seals : NBR

Body : Natural anodized aluminium al. 2011

Orifice : 7 mm

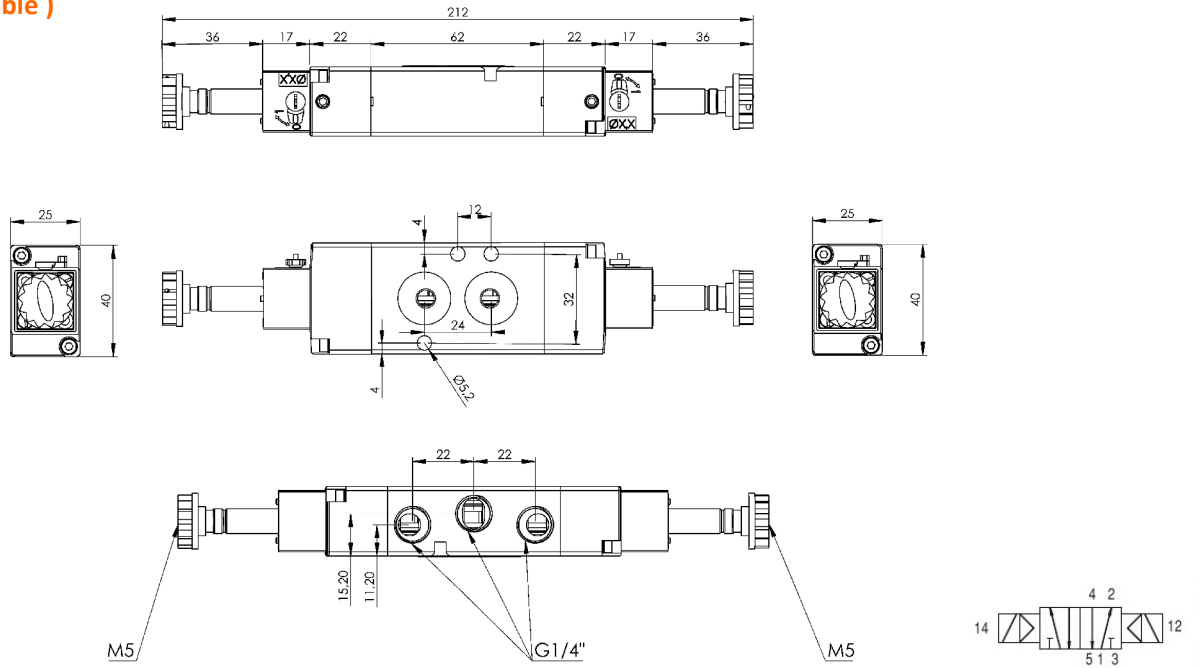
Mounting : Supplied with 2 o-ring and a screw suitable for namur standart

Flow rate : 1.000 NI/ min at 6 bar

Cycle per min. : Depend upon the actuator cycle

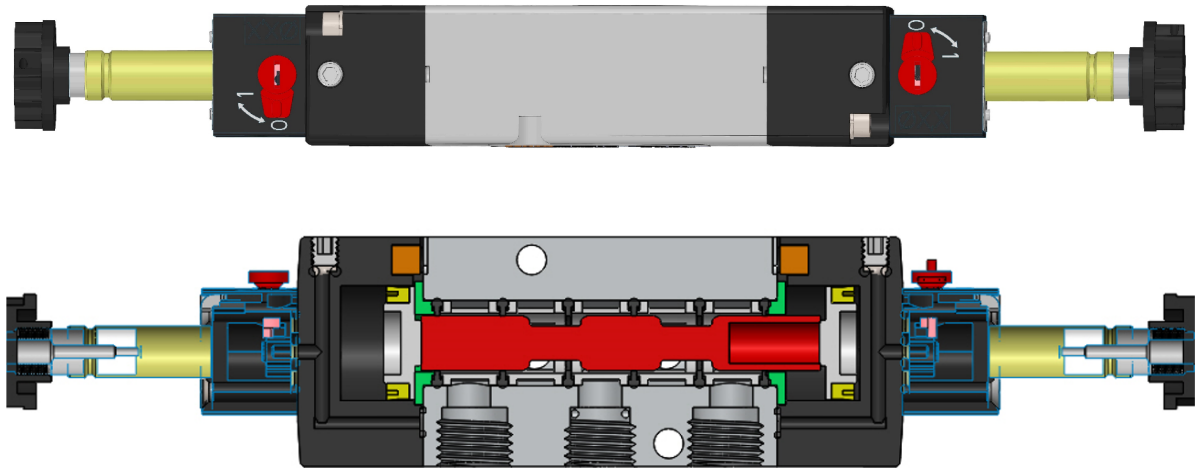
Exproof : Suitable to SEMAKMATIC serie exproof coils

DRAWING (5/2 bistable)



SOLID IMAGE

(5/2 namur bistable solenoid)



ACCESSORIES & SPARE PARTS



COILS & SOCKETS
(page 16)



6 * spool o-ring
2 * valve piston gasket
O- RING KIT
Cod. SMV1401B



9 mm BRASS
TUBE & NUCLEUS
Cod. SMV1802

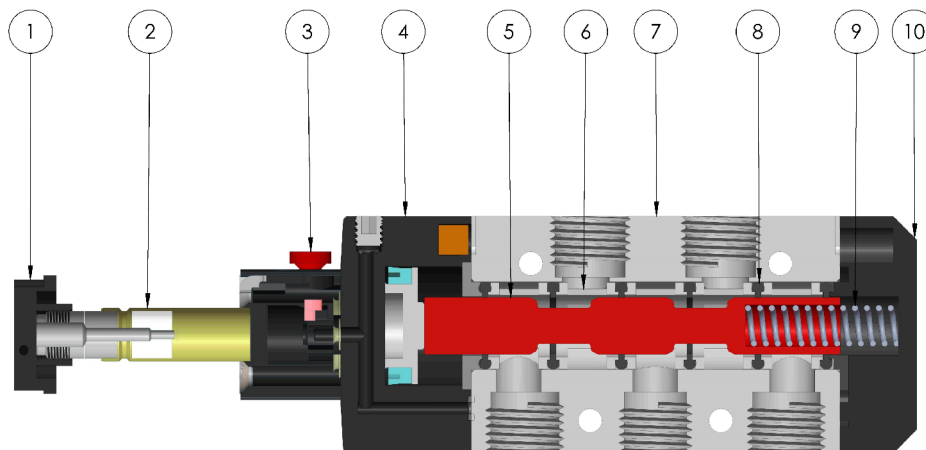


MAXI POPPET VALVE
Cod. SMV3218TBP3MNK



BASES &
BLANKING PLATE
(page 17)

INTERNAL PARTS OF SEMAKMATIC SERIE SOLENOID VALVE



1	NUT	PLASTIC MATERIAL
2	ARMATURE	BRASS – STAINLESS STEEL SPECIALLY
3	MANUAL OVERRIDE	PLASTIC MATERIAL
4	HEAD	AL 2011 BLACK COLORED ANODIZED
5	SPOOL	HARD ALUMINIUM ANODIZED
6	DISTANCERS	FORTRON 1140 L4
7	BODY	AL 2011 NATURAL ANODIZED
8	SEALS	HYDROGENATED NITRILE BUTADIENE RUBBER (HNBR)
9	SPRING	STAINLESS STEEL
10	BACK COVER	BACK COVER TECHNOPOLIMER

SPARE PARTS of THE 1/4" VALVES (O – RING kit)



4 * spool o-ring
1 * valve piston gasket

O- RING KIT
Cod. SME1401A



6 * spool o-ring
1 * valve piston gasket

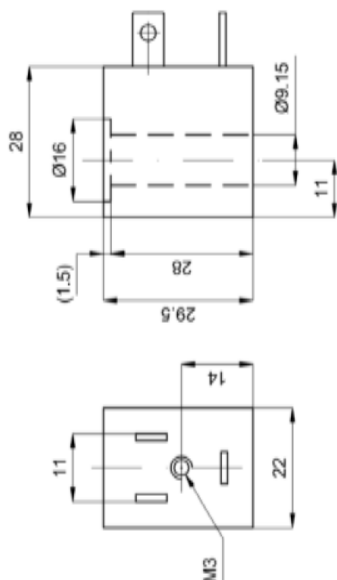
O- RING KIT
Cod. SME1401



6 * spool o-ring
2 * valve piston gasket

O- RING KIT
Cod. SME1401B

COILS

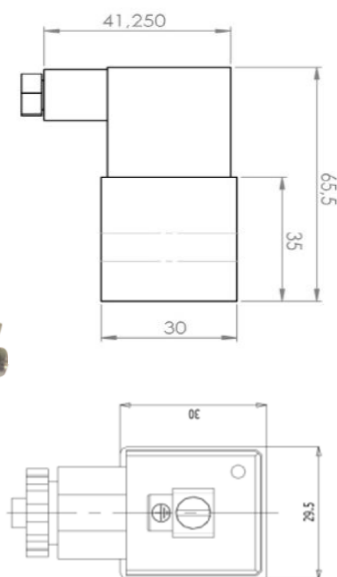


	For DC	For AC
Voltage tolerance	+ / - 10 %	+ / - 10 %
Electrical Consumption	3W	4.2 VA
Frequenzy	-	50 / 60 Hz.
Voltages	24	24 - 110 - 220
Duty cycle	% 100 ED	
Temperature range	- 15 °C / + 50 ° C	
Coil size	22 mm wide / suitable for 9 mm brass tube	
Terminal / Class	DIN 43650 B / F Class	

ORDERING CODES

SMB220900024DC	for 24 V DC
SMB220900024AC	for 24 V AC
SMB220900220AC	for 220 V AC
SMB220900110AC	for 110 V AC

EXPROOF COILS

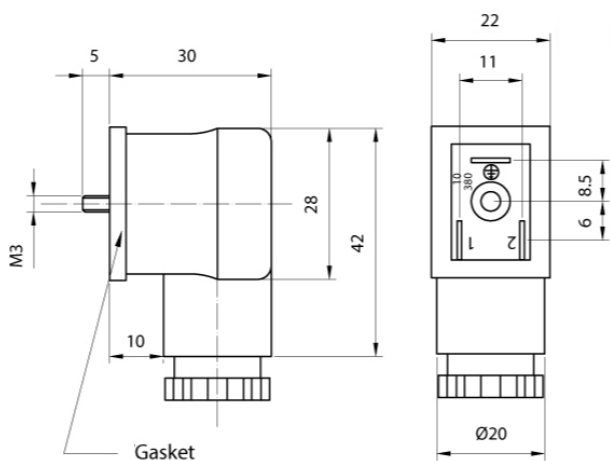


	For DC	For AC
Voltage tolerance	+ / - 10 %	
Electrical Consumption	3W	3.2 VA
Frequenzy	-	50 / 60 Hz.
Voltage	24	220
Duty cycle	% 100 ED	
Temperature range	- 15 °C / + 50 ° C	
Coil size	30 mm wide / suitable for 9 mm brass tube	
Conformity	94 / 9 / EC (group 2)	
Cable length	3 Meter	
Certificate	ATEX II2 GD Exm II T5	

ORDERING CODES

SMB3009EX024DC	for 24 V DC
SMB3009EX022AC	for 220 V AC

SOCKETS



	Standart	24 v / 220 v ac
Color	Black	transparent
Led color	-	Red
Protection	-	only with 24 v
Temperature range	- 15 °C / + 50 ° C	
Socket size	22 mm wide	
Terminal	DIN 43650 B	

ORDERING CODES

SMBS22LED220AC	for 22 mm 220 v ac led
SMBS22LED24V00	for 22 mm 24 v ac dc led
SMBS2200000000	for 22 mm standart socket

BASE

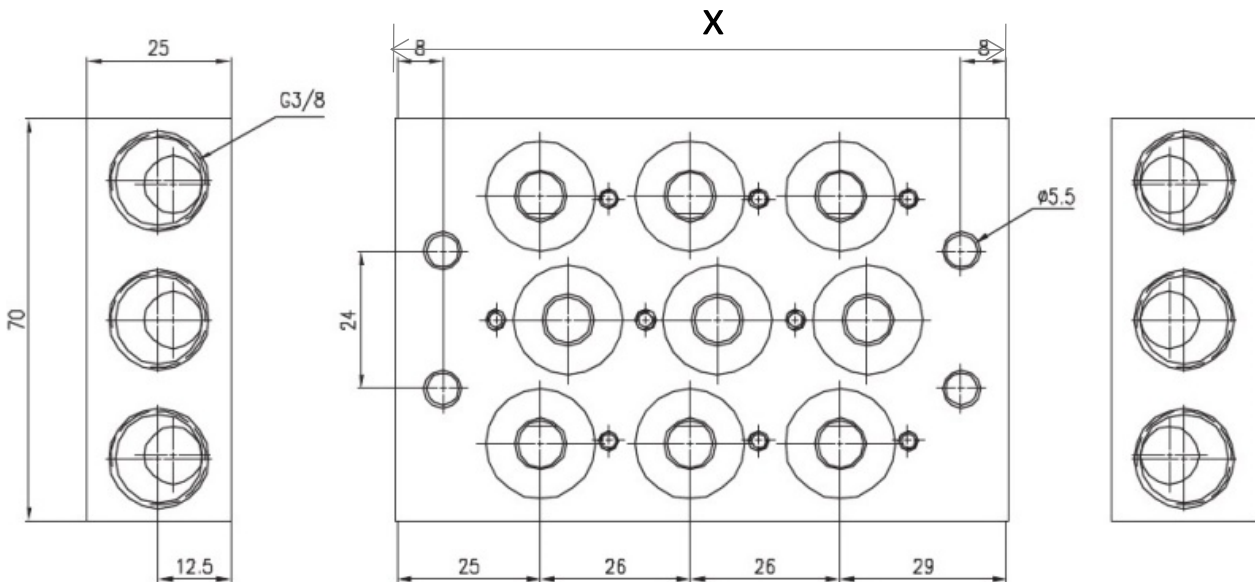


ORDERING CODES for BASES & PLANKING PLATE

2 POSITION SMV BASE	:	SMVPL14000002
3 POSITION SMV BASE	:	SMVPL14000003
4 POSITION SMV BASE	:	SMVPL14000004
5 POSITION SMV BASE	:	SMVPL14000005
6 POSITION SMV BASE	:	SMVPL14000006
7 POSITION SMV BASE	:	SMVPL14000007
8 POSITION SMV BASE	:	SMVPL14000008
9 POSITION SMV BASE	:	SMVPL14000009
10 POSITION SMV BASE	:	SMVPL14000010
12 POSITION SMV BASE	:	SMVPL14000012

ALL THE BASES SUPPLIED WITH O – RINGS AND A SCREWS

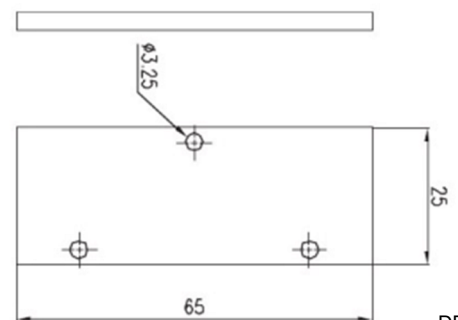
DRAWINGS



X									
POS. 2	POS 3.	POS 4.	POS 5.	POS 6.	POS 7.	POS 8.	POS 9.	POS 10.	POS 12.
80 mm	106 mm	132 mm	158 mm	184 mm	210 mm	236 mm	262 mm	288 mm	340 mm



BLANKING PLATE



Ordering code :
SMEPL1400KP000

DRAWING

3/2 – 1/4" PILOT / SPRING RETURN



- Flow rate is 1000 NI / min. at 6 bar
- Maximum working pressure is 10 bar
- Aluminium body
- Minimum working pressure is 1,5 bar
- Spool with spring return air pilot supported
- Suitable for non oily applications

ORDERING CODE for a VALVE

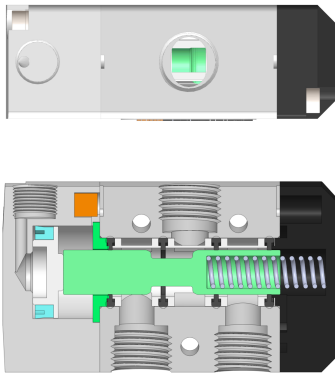
3/2 – 1/4" PILOT / SPRING (N.C.)

: SME3214HY00MNK

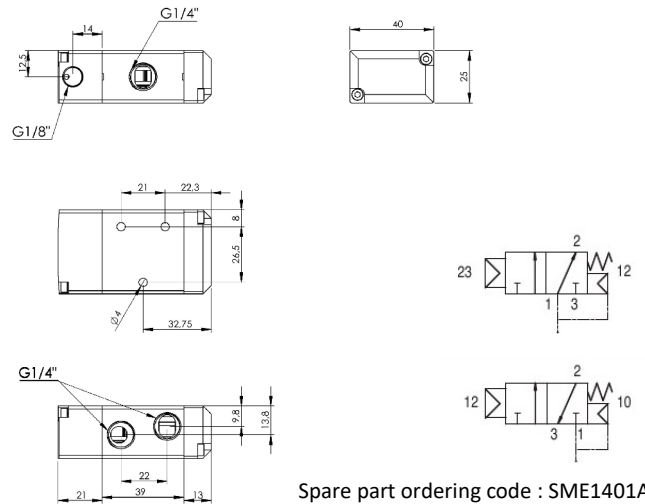
3/2 – 1/4" PILOT / SPRING (N.O.)

: SME3214HY00MNA

3/2 pilot valves n.c. / n.o. Internal view



DIMENSIONS



Spare part ordering code : SME1401A

Fluid : Compressed filtered air with or without lubrication

If lubrication used at ones must be continuous .

Pressure range : min.1,5 bar - max. 10 bar

Temperature range : - 10 ° C / + 60 ° C

Version : 3/2 - 1/4" PILOT / SPRING N.C. or N.O.

Materials

Covers : Front cover al. 2011 natural colored anodized back cover technopolimer

spool : AL. 6000 anodized 0,4 µm

Seals : NBR

Body : Natural anodized aluminium al. 2011

Orifice : 7 mm

Mounting : In any position

Flow rate : 1.000 NI/ min at 6 bar

Cycle per min. : 180 cycle / min (depends upon the signal inlet and outlet)

Vacuum : Suitable

5/2 – 1/4" PILOT / SPRING



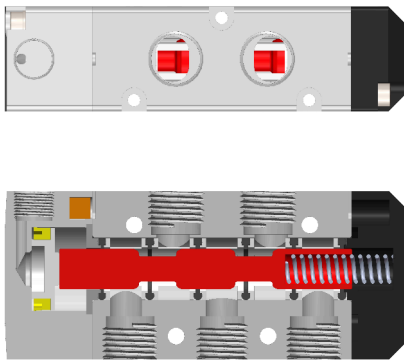
- Flow rate is 1000 NI / min. at 6 bar
- Maximum working pressure is 10 bar
- Aluminium body
- Minimum working pressure is 1,5 bar
- Spool with spring return air pilot supported
- Suitable for non oily applications

ORDERING CODE for a VALVE

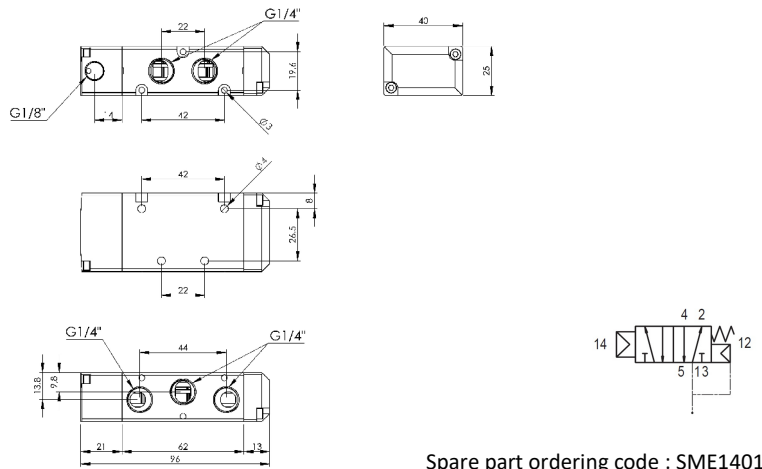
5/2 – 1/4" PILOT / SPRING

: SME5214HY00M00

5/2 pilot valves n.c. / n.o. Internal view



DIMENSIONS



Spare part ordering code : SME1401

Fluid	: Compressed filtered air with or without lubrication If lubrication used at ones must be continuous .
Pressure range	: min.1,5 bar - max. 10 bar
Temperature range	: - 10 ° C / + 60 ° C
Version	: 5/2 - 1/4" PILOT / SPRING
Materials	
Covers	: Front cover al. 2011 natural colored anodized back cover technopolimer
spool	: Al. 6000 anodized 0,4 µm
Seals	: NBR
Body	: Natural anodized aluminium al. 2011
Orifice	: 7 mm
Mounting	: In any position
Flow rate	: 1.000 NI/ min at 6 bar
Cycle per min.	: 180 cycle / min (depends upon the signal inlet and outlet)
Vacuum	: Suitable

5/2 – 1/4" PILOT / PILOT



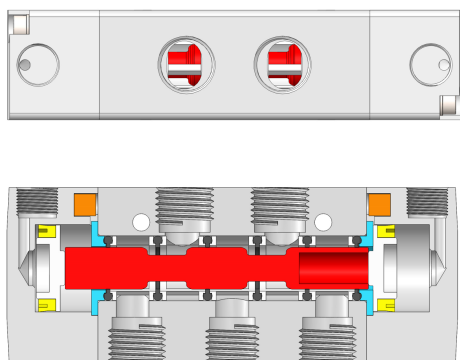
- Flow rate is 1000 NI / min. at 6 bar
- Maximum working pressure is 10 bar
- Aluminium body
- Minimum working pressure is 1 bar
- Spool with spring return air pilot supported
- Suitable for non oily applications

ORDERING CODE for a VALVE

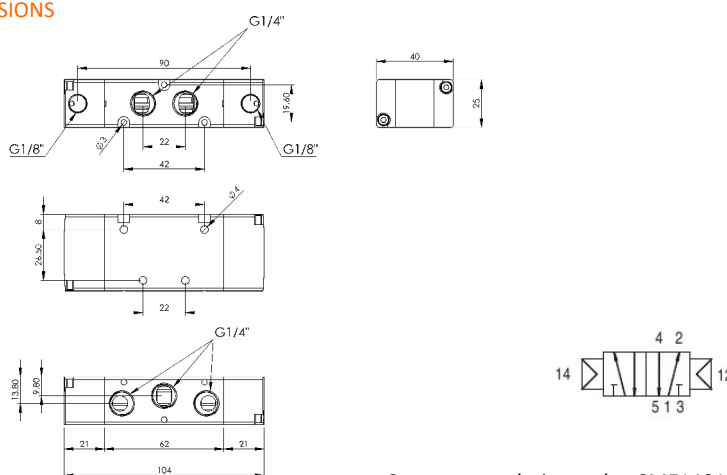
5/2 – 1/4" PILOT / PILOT

: SME5214HH00M00

5/2 DOUBLE PILOT / BISTABLE



DIMENSIONS



Spare part ordering code : SME1401B

Fluid : Compressed filtered air with or without lubrication

If lubrication used at ones must be continuous .

Pressure range : min.1 bar - max. 10 bar

Temperature range : - 10 ° C / + 60 ° C

Version : 5/2 - 1/4" PILOT / PILOT

Materials

Covers : Front cover al. 2011 natural colored anodized

spool : Al. 6000 anodized 0,4 µm

Seals : NBR

Body : Natural Anodized aluminium al. 2011

Orifice : 7 mm

Mounting : In any position

Flow rate : 1.000 NI/ min at 6 bar

Cycle per min. : 190 cycle / min (depends upon the signal inlet and outlet)

Vacuum : Suitable

5/3 – 1/4" DOUBLE PILOT C.C.



- Flow rate is 750 NI / min. at 6 bar
- Maximum working pressure is 10 bar
- Aluminium body
- Minimum working pressure is 3 bar
- Spool with spring return
- Suitable for non oily applications
- Suitable for low pressure and vacuum operation

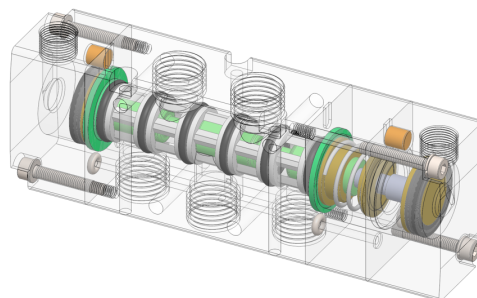
ORDERING CODE for a VALVE

5/3 – 1/4" DOUBLE PILOT C.C. : SME5314HH00MKM
 5/3 – 1/4" DOUBLE PILOT O.C. : SME5314HH00MAM

5/3 – 1/4" DOUBLE PILOT O.C.

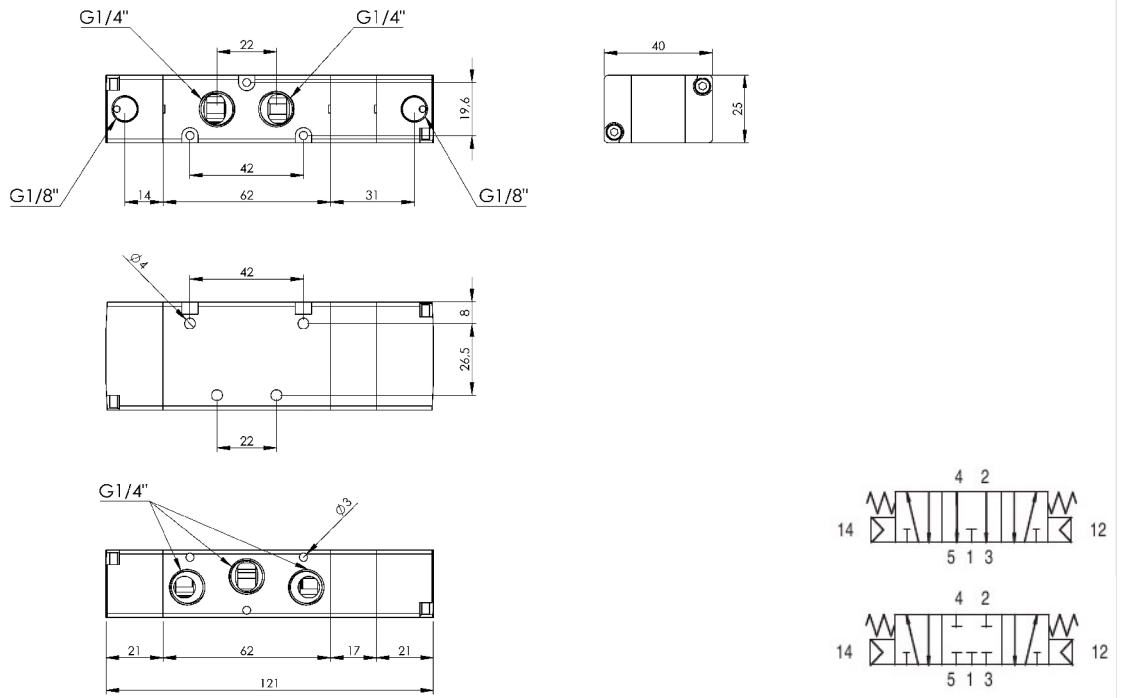


INTERNAL VIEW (5/3 – O.C. AIR PILOT)



Fluid	:	Compressed filtered air with or without lubrication If lubrication used at ones must be continuous .
Pressure range	:	min. 3 bar - max. 10 bar
Temperature range	:	- 10 ° C / + 60 ° C
Version	:	5/3 - 1/4" DOUBLE PILOT C.C. / O.C.
Materials		
	Covers	: Front cover al. 2011 natural colored anodized
	spool	: Al. 6000 anodized 0,4 µm
	Seals	: NBR
	Body	: Anodized aluminium
Orifice	:	7 mm
Mounting	:	In any position
Flow rate	:	750 NI/ min at 6 bar
Cycle per min.	:	120 cycle / min (from port 2 or port 4 to neutral position)
Vacuum	:	Suitable

DRAWING

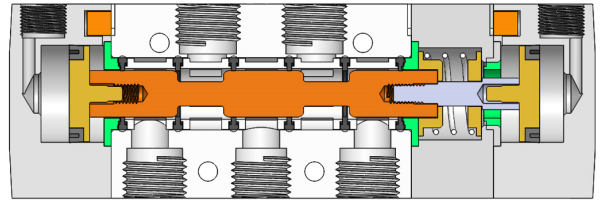
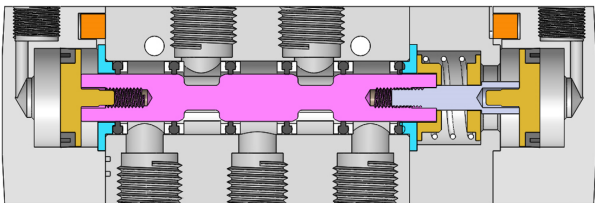
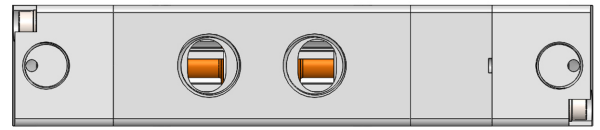


SOLID IMAGE

5/3 double pilot closed center



5/3 double pilot open center



ACCESSORIES & SPARE PARTS



6 * spool o-ring
2 * valve piston gasket

O- RING KIT
Cod. SMV1401B



BASES &
BLANKING PLATE
(page 17)

3/2 – 1/4" AIR PILOT VALVE (2 * N.C.)



- Flow rate is 600 NI / min. at 6 bar
- 2 * 3/2 n.c. / 2 * 3/2 n.o. / 3/2 n.c. + 3/2 n.o.
- Pneumatic air connection ports 1.2.3.4.5 .. 1/4"
- Body Al. 2011 grey anodized
- Covers Al. 2011 grey color anodized
- Min. working pressure is 1,5 bar
- 3 cycle / sec. reachable max. life time under proper condition
- Not Suitable for vacuum and low pressure application

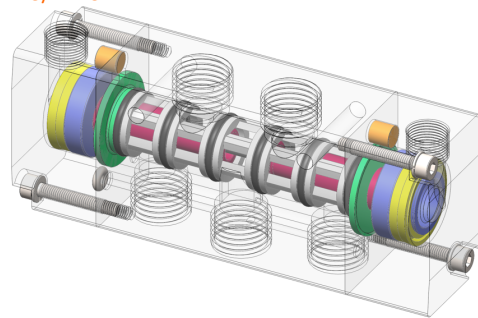
3/2 – 1/4" AIR PILOT VALVE (2 * N.O.)



ORDERING CODES for a VALVE

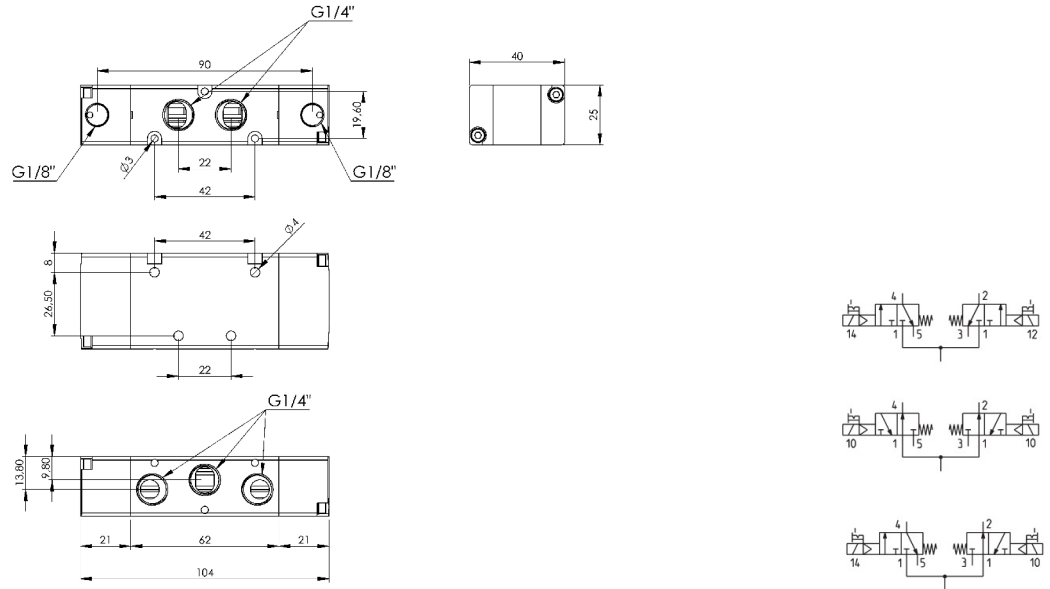
- 2 * 3/2 – 1/4" DOUBLE SOLENOID 2 * n.c. : SME3214HH02MNK
- 2 * 3/2 – 1/4" DOUBLE SOLENOID 2 * n.o. : SME3214HH02MNA
- 2 * 3/2 – 1/4" DOUBLE SOLENOID n.c. + n.o. : SME3214HH02MKA

INTERNAL VIEW 2 * 3/2 N.C.

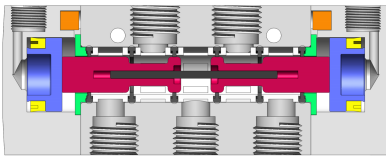


Fluid	: Compressed filtered air with or without lubrication If lubrication used at ones must be continuous .
Pressure range	: min.1,5 bar max. 10 bar
Temperature range	: - 10 ° C / + 60 ° C
Version	: 2 * 3/2 - 1/4" air pilot valve with pneumatic air return
Materials	
Covers	: Covers al. 2011 grey colored anodized
spool	: Al. 6000 anodized 0,4 µm
Seals	: NBR
Body	: Natural anodized aluminium al. 2011
Nominal Orifice	: 7 mm
Mounting	: In any position
Flow rate	: 600 NI/ min. at 6 bar Δp 1 bar
Life time	: 3 cycle / sec. with suitable cylinder / 50.000 cycle life time under proper condition
Air supply port	: Only port number 1

DRAWING (2 * 3/2 N.C. / N.O / N.C. + N.O.)

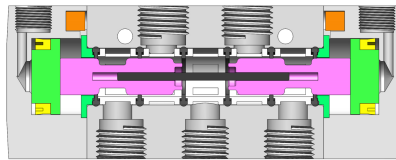


(2*3/2 N.C.)



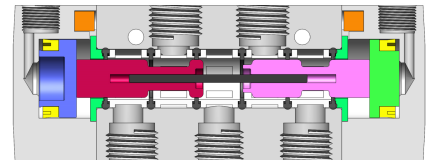
Ordering code : SME3214CB02MNK

(2*3/2 N.O.)



Ordering code : SME3214CB02MNA

(3/2 N.C + 3/2 N.O.)

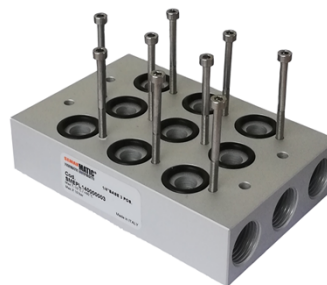


Ordering code : SME3214CB02MKA

ACCESSORIES & SPARE PARTS



O- RING KIT
Cod. SME1401B



BASES &
BLANKING PLATE
(page 17)

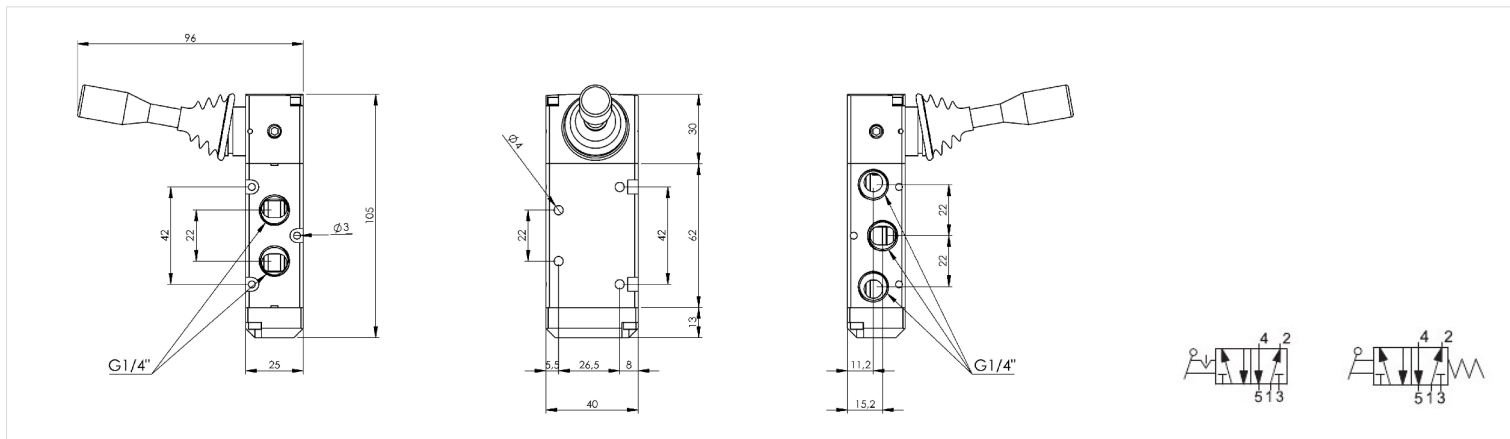
5/2 – 1/4" HAND OPERATED SPRING RETURN / DETENDET



- Flow rate is 1000 NI / min. at 6 bar
- Maximum working pressure is 10 bar
- Aluminium body
- Suitable for vacuum
- Durable hand stick
- Suitable for non oily applications

ORDERING CODES for a VALVE

5/2 – 1/4" HAND OPERATED SPRING RETURN : SME5214KKKYM00
 5/2 – 1/4" HAND OPERATED DETENDET : SME5214KK00M00



Fluid	: Compressed filtered air with or without lubrication If lubrication used at ones must be continious .
Pressure range	: max. 10 bar
Temperature range	: - 10 ° C / + 60 ° C
Version	: 5/2 - 1/4" HAND OPERATED SPRING RETURN / DETENDET
Materials	Covers : Front cover al. 2011 natural colored anodized back cover technopolimer spool : Al. 6000 anodized 0,4 µm Seals : NBR Body : Natural anodized aluminium al. 2011
Orifice	: 7 mm
Mounting	: In any position
Flow rate	: 1.000 NI/ min at 6 bar
Tightening of hand stick	: Adjustable
Vacuum	: Suitable

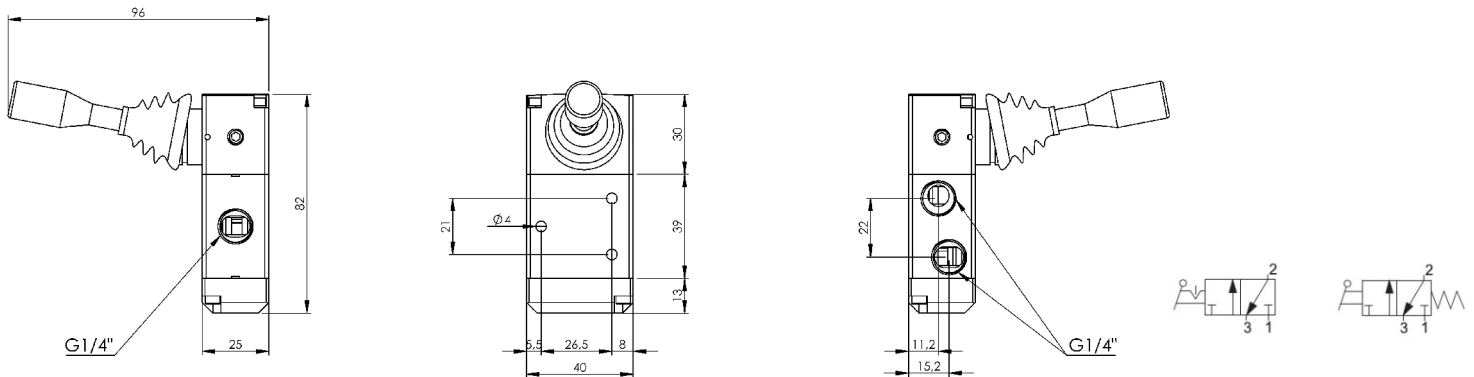
3/2 – 1/4" HAND OPERATED SPRING RETURN / DETENDET



- Flow rate is 1000 NI / min. at 6 bar
- Maximum working pressure is 10 bar
- Aluminium body
- Suitable for vacuum
- Durable hand stick
- Suitable for non oily applications

ORDERING CODES for a VALVE

3/2 – 1/4" HAND OPERATED SPRING RETURN (N.C.)	: SME3214KKKYMNK
3/2 – 1/4" HAND OPERATED DETENDET (N.C.)	: SME3214KK00MNK
3/2 – 1/4" HAND OPERATED SPRING RETURN (N.O.)	: SME3214KKKYMNA
3/2 – 1/4" HAND OPERATED DETENDET (N.O.)	: SME3214KK00MNA



Fluid	: Compressed filtered air with or without lubrication If lubrication used at ones must be continuous .
Pressure range	: max. 10 bar
Temperature range	: - 10 ° C / + 60 ° C
Version	: 3/2 - 1/4" HAND OPERATED SPRING RETURN / DETENDET
Materials	
Covers	: Front cover al. 2011 natural colored anodized back cover technopolimer
spool	: AL. 6000 anodized 0,4 µm
Seals	: NBR
Body	: Natural anodized aluminium al. 2011
Orifice	: 7 mm
Mounting	: In any position
Flow rate	: 1.000 NI/ min at 6 bar
Tightening of hand stick	: Adjustable
Vacuum	: Suitable

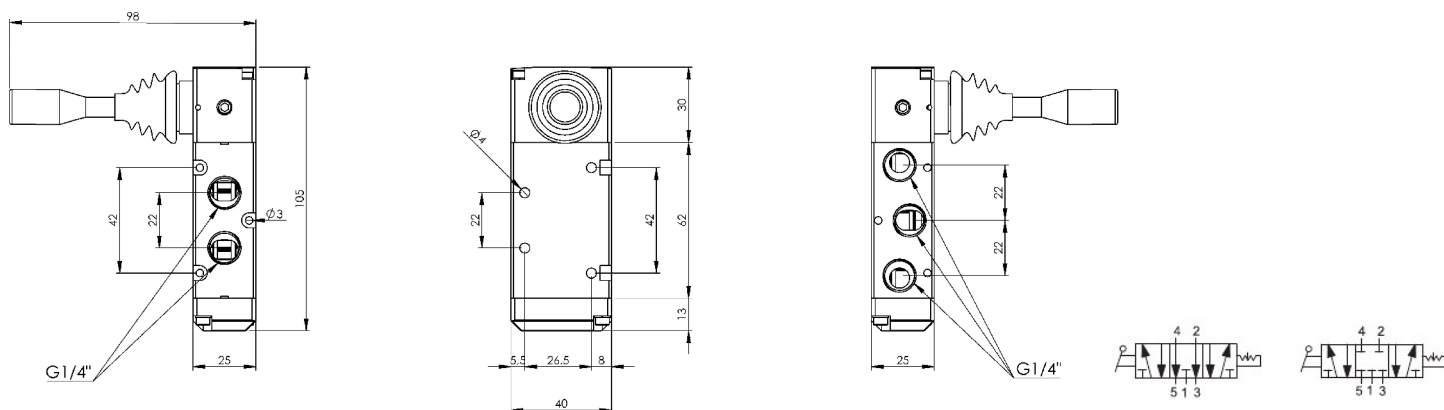
5/3 – 1/4" HAND OPERATED DETENDET C.C / O.C.



- Flow rate is 750 NI / min. at 6 bar
- Maximum working pressure is 10 bar
- Aluminium body
- Durable hand stick
- Can be used for vacuum
- Suitable for non oily applications

ORDERING CODES for a VALVE

5/3 – 1/4" HAND OPERATED DETENDET C.C. : SME5314KK00MKM
 5/3 – 1/4" HAND OPERATED DETENDET O.C. : SME5314KK00MAM



Fluid	: Compressed filtered air with or without lubrication If lubrication used at ones must be continuous .
Pressure range	: max. 10 bar
Temperature range	: - 10 ° C / + 60 ° C
Version	: 5/3 - 1/4" HAND OPERATED DETENDET C.C. / O.C.
Materials	
Cover	: Front cover al. 2011 natural colored back cover al. 2011 black colored anodized
spool	: Al. 6000 anodized 0,4 µm
Seals	: NBR
Body	: Natural anodized aluminium al. 2011
Orifice	: 7 mm
Mounting	: In any position
Flow rate	: 750 NI/ min at 6 bar
Tightening of hand stick	: Adjustable
Vacuum	: Suitable

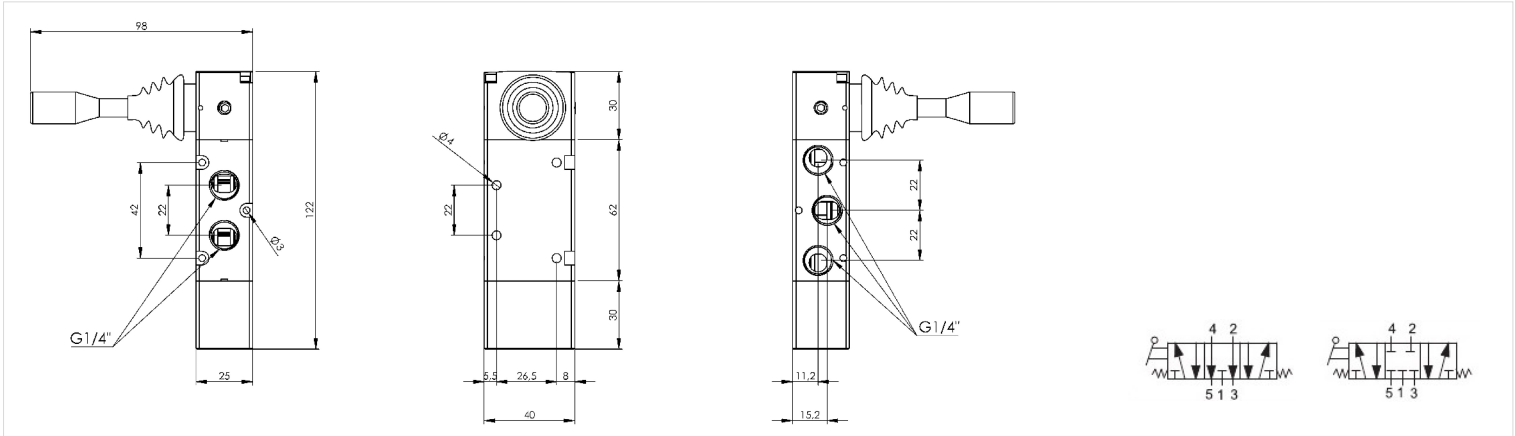
5/3 – 1/4" HAND OPERATED SPRING RETURN C.C / O.C.



- Flow rate is 750 NI / min. at 6 bar
- Maximum working pressure is 10 bar
- Aluminium body
- Durable hand stick
- Spool with spring return C.C. / O.C.
- Suitable for non oily applications

ORDERING CODES for a VALVE

5/3 – 1/4" HAND OPERATED SPRING RETURN C.C : SME5314KKKYMKM
 5/3 – 1/4" HAND OPERATED SPRING RETURN O.C : SME5314KKKYMAM



Fluid	: Compressed filtered air with or without lubrication If lubrication used at ones must be continuous .
Pressure range	: max. 10 bar
Temperature range	: - 10 ° C / + 60 ° C
Version	: 5/3 - 1/4" HAND OPERATED SPRING RETURN C.C. / O.C.
Materials	: Front cover al. 2011 natural colored back cover al. 2011 black colored anodized spool : Al. 6000 anodized 0,4 µm Seals : NBR Body : Natural anodized aluminium al. 2011
Orifice	: 7 mm
Mounting	: In any position
Flow rate	: 750 NI/ min at 6 bar
Tightening of hand stick	: Adjustable
Vacuum	: Suitable

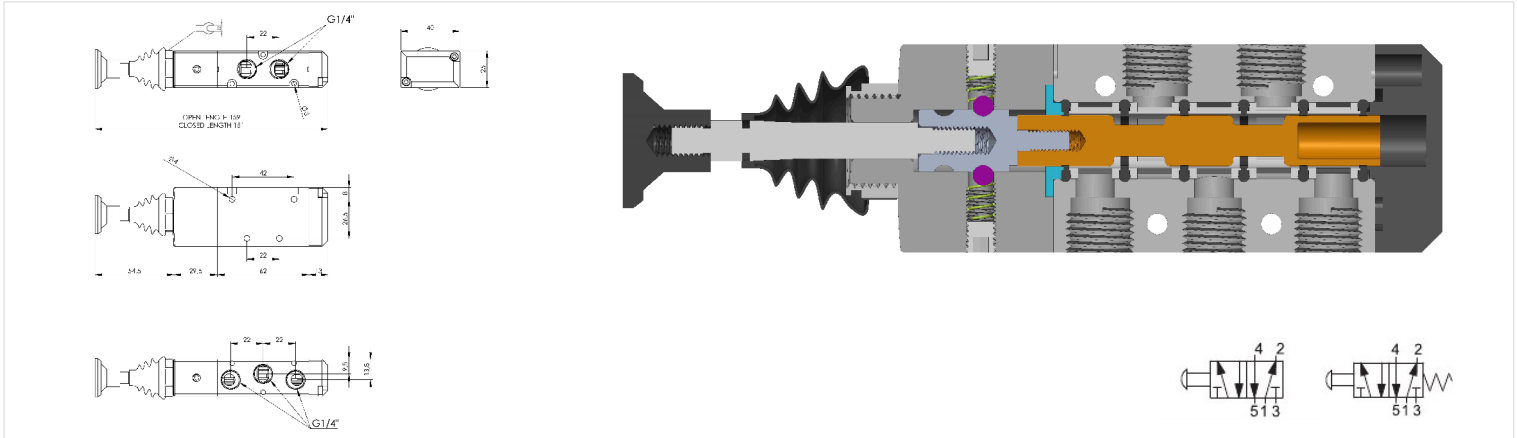
5/2 – 1/4" DRAWER VALVES spring return / detendet



- Flow rate is 1000 NI / min. at 6 bar
- Maximum working pressure is 10 bar
- Aluminium body
- Can be used for vacuum
- Spool with spring return OR detendet
- Suitable for non oily applications

ORDERING CODES for a VALVE

- 5/2 – 1/4" DRAWER VALVE SPRING RETURN : SME5214IC01M00
- 5/2 – 1/4" DRAWER VALVE DETENDET : SME5214IC00M00



Fluid	: Compressed filtered air with or without lubrication If lubrication used at ones must be continious .
Pressure range	: max. 10 bar
Temperature range	: - 10 ° C / + 60 ° C
Version	: 5/2 - 1/4" DRAWER VALVE spring return / detendet
Materials	
Cover	: Front cover al. 2011 natural colored anodized back cover technopolimer
spool	: Al. 6000 anodized 0,4 µm
Seals	: NBR
Body	: Natural anodized aluminium al. 2011
Orifice	: 7 mm
Mounting	: In any position
Flow rate	: 1.000 NI/ min at 6 bar
Tightening of hand stick	: Adjustable
Vacuum	: Suitable

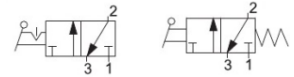
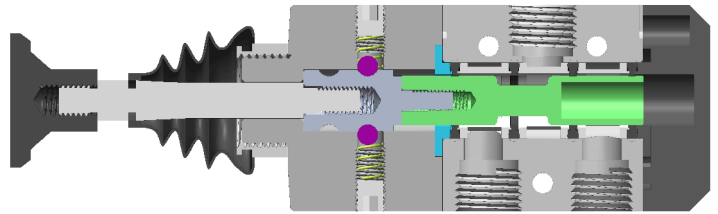
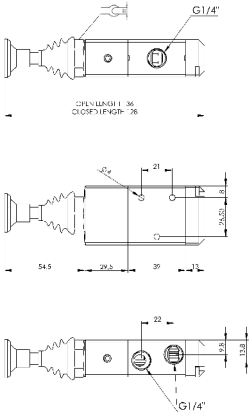
3/2 – 1/4" DRAWER VALVES spring return / detendet



- Flow rate is 1000 NI / min. at 6 bar
- Maximum working pressure is 10 bar
- Aluminium body
- Very durable hand stock
- Can be used for vacuum
- Suitable for non oily applications

ORDERING CODES for a VALVE

3/2 – 1/4" DRAWER VALVE	SPRING RETURN (N.C.)	: SME3214IC01MNK
3/2 – 1/4" DRAWER VALVE	DETENDET (N.C.)	: SME3214IC00MNK
3/2 – 1/4" DRAWER VALVE	SPRING RETURN (N.O.)	: SME3214IC01MNA
3/2 – 1/4" DRAWER VALVE	DETENDET (N.O.)	: SME3214IC00MNA



Fluid : Compressed filtered air with or without lubrication

If lubrication used at ones must be continuous .

Pressure range : max. 10 bar

Temperature range : - 10 ° C / + 60 ° C

Version : 3/2 - 1/4" DRAWER VALVE spring return / detendet

Materials

Cover : Front cover al. 2011 natural colored anodized back cover technopolimer

spool : Al. 600 anodized 0,4 µm

Seals : NBR

Body : Natural anodized aluminium al. 2011

Orifice : 7 mm

Mounting : In any position

Flow rate : 1.000 NI/ min at 6 bar

Tightening of hand stick : Adjustable

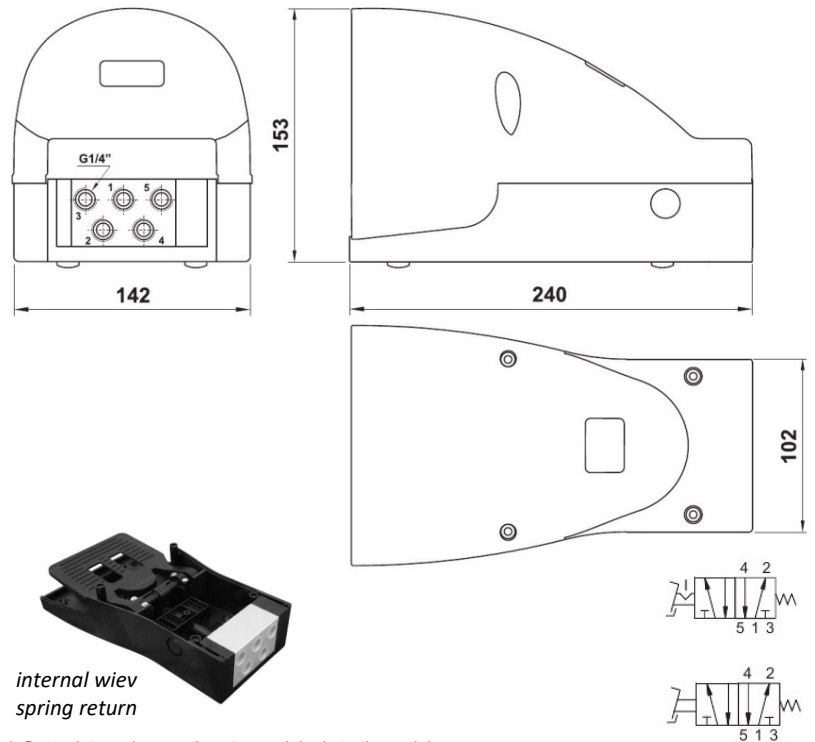
Vacuum : Suitable

5/2 – 1/4" DRAWER VALVES *spring return / detendet*



- * Flow rate is 700 NI / min. at 6 bar .
- * Max working pressure is 10 bar .
- * Aluminium valve
- * Technopolimer protection cover
- * Spring return OR detendet pedal
- * Suitable for non oily applications

DRAWINGS



ORDERING CODES for a VALVE

- 5/2 – 1/4" PEDAL VALVE SPRING RETURN : SMV5214PV00T00
- 5/2 – 1/4" PEDAL VALVE DETENDET : SMV5214PV01T00

Fluid	: Compressed filtered air with or without lubrication If lubrication used at ones must be continuous .
Pressure range	: max. 10 bar
Temperature range	: - 10 ° C / + 50 ° C
Version	: 5/2 - 1/4" PEDAL VALVE <i>spring return / detendet</i>
Materials	
Cover	: Aluminium
spool	: aluminium anodized
Seals	: NBR
Body	: Aluminium
Orifice	: 8 mm
Mounting	: In any position
Flow rate	: 700 NI/ min at 6 bar
Protection Cover	: Plastic

SMG SERIE VALVES



SMG SERIE AIR PILOT VALVES



MULTIPIN VALVE TERMINAL



MULTIPIN VALVE TERMINAL



FOR MORE INFORMATION PLEASE ASK THE DETAILED CATALOGUE
semakmatik@semakmatik.com



CERTIFICATE



SEMAKMATIC
PNEUMATIC EQUIPMENTS

SEMAK MATİK MAKİNE OTOMASYON SİSTEMLERİ TUR. SAN. VE TİC. LTD. ŞTİ.

HQ: HALİL RIFAT PAŞA MAH. FERPA TİC. MERKEZİ 1639 B 11 ŞİŞLİ - İSTANBUL - TURKEY
BRANCH: YEDPA TİC. MERKEZİ B CAD. NO: 65/66 KAYIŞDAĞI ATAŞEHİR - İSTANBUL - TURKEY

with a scope of

ASSEMBLING OF EQUIPMENT AND PARTS OF THE EQUIPMENT WORKING WITH
FLUID POWER (HYDRAULIC AND PNEUMATIC ENGINES, HYDRAULIC PUMPS,
HYDRAULIC AND PNEUMATIC VALVES, HYDRAULIC SYSTEMS AND PARTS OF THESE)

ISO 9001:2015

Has established a quality management system in accordance
with international standard.

"Following elements of the standard are excluded"

"8.3"

Certificate No	: M11065
Initial Certification Date	: 26 September 2018
Certification Date	: 07 October 2021
Expiration Date	: 06 October 2024

Kiwa Belgelendirme Hizmetleri A.Ş.
ITOSB 9. Cadde No. 15 Tepeören Tuzla
İstanbul / Turkey

Tel: +90 216 593 25 75
Faks: +90 216 593 25 74
info@kiwa.com.tr
www.kiwa.com.tr

Certificate is valid till expiration date,
subject to successful completion of
periodical surveillance audits.
Please contact above numbers for
detailed information.


General Manager



SEMAKMATİK

SAN. TİC. LTD. ŞTİ.

DARÜLACEZE CAD. PERPA TİC. MERKEZİ
B BLOK 11 / 1639 OKMEYDANI / İSTANBUL
TURKEY

TEL : 0090 212 221 27 80 FAX: 0090 212 221 20 46

www.semakmatik.com
semakmatik@semakmatik.com

APRIL 2022 - NİSAN 2022