

25. YIL
Since 1998



SMG AIR PILOT SERIE 16 mm



SMG SOLENOID SERIE 16 mm



SMG BASE & VALVE



SMG VALVES



SMG 9 PIN SERIE



SMG 15 PIN SERIE



SMG VALVES 16 mm

SEMAK**MATIC**
PNEUMATIC EQUIPMENTS

SEMAK[®]MATIC

PNEUMATIC EQUIPMENTS

... SMG ... PRODUCTS



SMG

5/2 - 1/8" Solenoid valve

SMG SERIE
AIR PILOT VALVES
&
SMG SERIE
SOLENOID VALVES

SMG SERIE
MULTIPIN VALVES

NOTES .



SEMAK MATIC
PNEUMATIC EQUIPMENTS

SMG 1/8" 16 mm VALFLER / VALVES

3/2 - 5/2 - 5/3 - 2 x 3/2 n.k. / n.c. HAVA UYARILI VALFLER / AIR PILOT VALVES Pag. 2 - 6

PLEYTLER / SUB BASES Pag. 7 & 24

3/2 - 5/2 - 5/3 - 2 x 3/2 n.k. / n.c. BOBİNLİ VALFLER / SOLENOID VALVES Pag. 8 - 16

MİNİ POPET VALF 24 V DC ve KABLO / MINI POPET VALVE & CABLE Pag. 17

3/2 – 1/8" PILOT / SPRING N.C.



- Flow rate is 600 NI / min. at 6 bar
- Maximum working pressure is 10 bar
- Aluminium body & covers
- Minimum working pressure is 2 bar
- Spool with spring return air pilot supported
- Suitable for non oily applications

ORDERING CODE for a VALVE

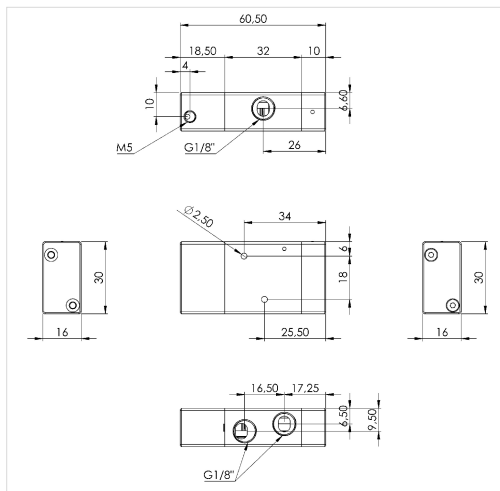
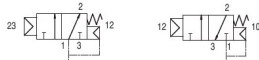
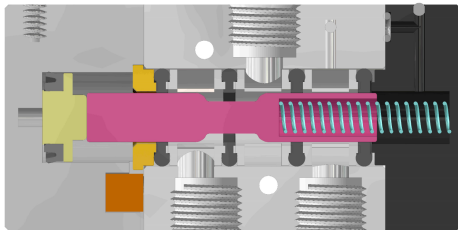
3/2 – 1/8" PILOT / SPRING (N.C.)

: SMG3218HY00MKNK

3/2 – 1/8" PILOT / SPRING (N.O.)

: SMG3218HY00MNA

3/2 – 1/8" PILOT / SPRING / N.C. N.O.



SPARE PARTS



- 4 * spool o-ring
- 1 * valve piston gasket

O- RING KIT
Cod. SMG1801A

Fluid	: Compressed filtered air with or without lubrication If lubrication used at ones must be continuous .
Pressure range	: min.2 bar - max. 10 bar
Temperature range	: - 10 ° C / + 50 ° C
Version	: 3/2 - 1/8" PILOT / SPRING N.C. or N.O.
Materials	
Covers	: Front cover al. 2011 natural colored anodized back cover Al.2011 black anodized
spool	: AL. 6000 anodized 0,4 µm
Seals	: NBR
Body	: Natural anodized aluminium al. 2011
Orifice	: 5 mm
Mounting	: In any position
Flow rate	: 600 NI/ min at 6 bar
Cycle per min.	: 180 cycle / min (depends upon the signal inlet and outlet)
Vacuum	: Suitable

5/2 – 1/8" PILOT / SPRING



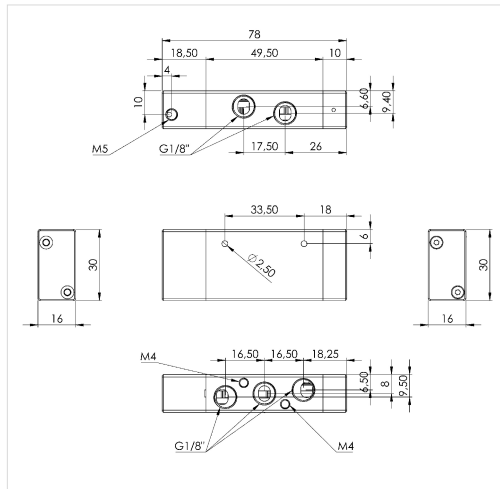
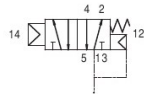
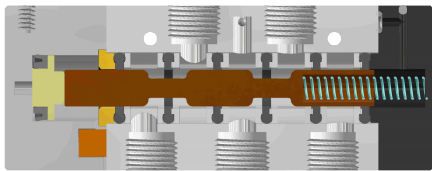
- Flow rate is 600 NI / min. at 6 bar
- Maximum working pressure is 10 bar
- Aluminium body
- Minimum working pressure is 2 bar
- Spool with spring return air pilot supported
- Suitable for non oily applications

ORDERING CODE for a VALVE

5/2 – 1/8" PILOT / SPRING

: SMG5218HY00M00

5/2 – 1/8" PILOT / SPRING



SPARE PARTS



- 6 * spool o-ring
- 1 * valve piston gasket

O- RING KIT
Cod. SMG1801



Fluid	: Compressed filtered air with or without lubrication If lubrication used at ones must be continuous .
Pressure range	: min.2 bar - max. 10 bar
Temperature range	: - 10 ° C / + 60 ° C
Version	: 5/2 - 1/8" PILOT / SPRING
Materials	
Covers	: Front cover al. 2011 natural colored anodized back cover Al.2011 black anodized
spool	: Al. 6000 anodized 0,4 µm
Seals	: NBR
Body	: Natural anodized aluminium al. 2011
Orifice	: 5 mm
Mounting	: In any position
Flow rate	: 600 NI/ min at 6 bar
Cycle per min.	: 180 cycle / min (depends upon the signal inlet and outlet)
Vacuum	: Suitable

5/2 – 1/8" PILOT / PILOT



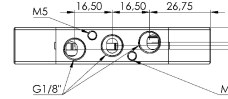
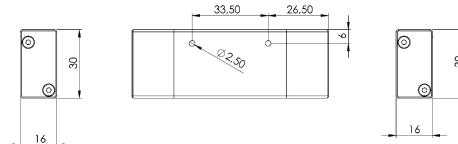
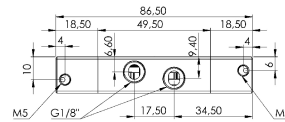
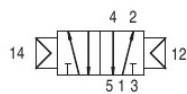
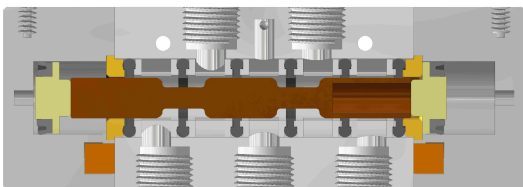
- Flow rate is 600 NI / min. at 6 bar
- Maximum working pressure is 10 bar
- Aluminium body
- Minimum working pressure is 1,5 bar
- Spool with spring return air pilot supported
- Suitable for non oily applications

ORDERING CODE for a VALVE

5/2 – 1/8" PILOT / PILOT

: SMG5218HH00M00

5/2 – 1/8" PILOT / PILOT



SPARE PARTS



6 * spool o-ring
1 * valve piston gasket

O- RING KIT
Cod. SMG1801B



Fluid : Compressed filtered air with or without lubrication

If lubrication used at ones must be continuous .

Pressure range : min.1,5 bar - max. 10 bar

Temperature range : - 10 ° C / + 50 ° C

Version : 5/2 - 1/8" PILOT / PILOT

Materials

Covers : Front cover al. 2011 natural colored anodized

spool : Al. 6000 anodized 0,4 µm

Seals : NBR

Body : Natural Anodized aluminium al. 2011

Orifice : 5 mm

Mounting : In any position

Flow rate : 600 NI/ min at 6 bar

Cycle per min. : 180 cycle / min (depends upon the signal inlet and outlet)

Vacuum : Suitable

5/3 – 1/8" DOUBLE PILOT C.C.



- Flow rate is 400 NI / min. at 6 bar
- Maximum working pressure is 10 bar
- Aluminium 2011 body
- Minimum working pressure is 3 bar
- Spool with spring return air pilot supported
- Suitable for non oily applications

ORDERING CODE for a VALVE

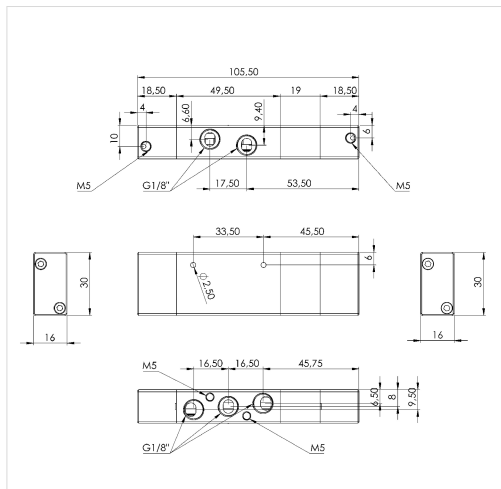
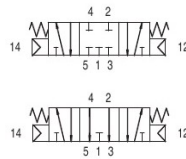
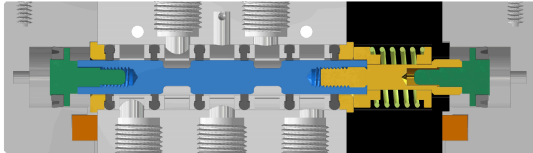
5/3 – 1/8" DOUBLE PILOT C.C.

: SMG5318HH00MKM

5/3 – 1/8" DOUBLE PILOT O.C.

: SMG5318HH00MAM

5/3 – 1/8" DOUBLE PILOT O.C.



SPARE PARTS



6 * spool o-ring
1 * valve piston gasket

O- RING KIT
Cod. SMG1801B



Fluid : Compressed filtered air with or without lubrication

If lubrication used at ones must be continuous .

Pressure range : min.3 bar - max. 10 bar

Temperature range : - 10 ° C / + 50 ° C

Version : 5/3 - 1/8" DOUBLE PILOT C.C. / O.C.

Materials

Covers : Front cover al. 2011 natural colored anodized

spool : Al. 6000 anodized 0,4 µm

Seals : NBR

Body : Anodized aluminium

Orifice : 5 mm

Mounting : In any position

Flow rate : 400 NI/ min at 6 bar

Cycle per min. : 150 cycle / min (from port 2 or port 4 to neutral position)

Vacuum : Not Suitable

3/2 – 1/8" DOUBLE PILOT 2 * N.C.



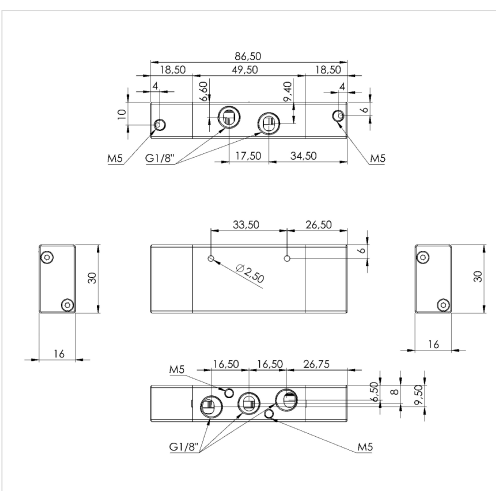
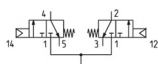
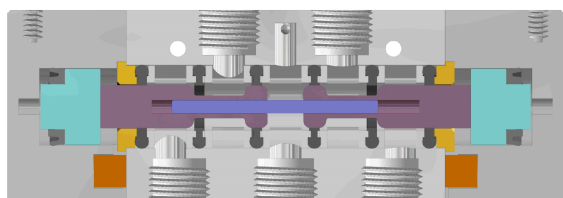
- Flow rate is 300 NI / min. at 6 bar
- Maximum working pressure is 10 bar
- Aluminium 2011 body
- Minimum working pressure is 2 bar
- Spool with air pilot return
- Suitable for non oily applications

ORDERING CODE for a VALVE

3/2 –1/8" DOUBLE PILOT N.C.

: SMG3218HH00M00

3/2 – 1/8" DOUBLE PILOT 2 * N.C.



SPARE PARTS



6 * spool o-ring
1 * valve piston gasket

O- RING KIT
Cod. SMG1801B



Fluid : Compressed filtered air with or without lubrication

If lubrication used at ones must be continuous .

Pressure range : min.2 bar - max. 10 bar

Temperature range : - 10 ° C / + 50 ° C

Version : 3/2 * 2 - 1/8" DOUBLE PILOT N.C.

Materials

Covers : Front cover al. 2011 natural colored anodized

spool : Al. 6000 anodized 0,4 µm

Seals : NBR

Body : Anodized aluminium 2011

Orifice : 5 mm

Mounting : In any position

Flow rate : 300 NI/ min at 6 bar

Cycle per min. : 180 cycle / min (from port 2 or port 4 to neutral position)

Vacuum : Not possible

BASE

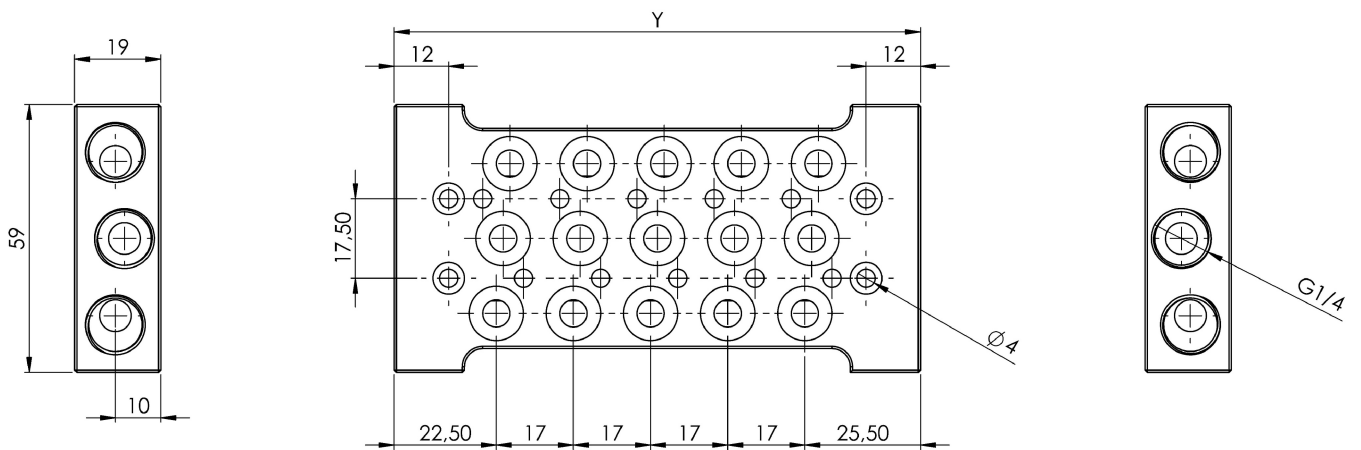


ORDERING CODES for BASES & PLANKING PLATE	
2 POSITION SMG BASE	: SMGPL18000002
3 POSITION SMG BASE	: SMGPL18000003
4 POSITION SMG BASE	: SMGPL18000004
5 POSITION SMG BASE	: SMGPL18000005

For more position of the bases please see page - SMG 24 -

ALL THE BASES SUPPLIED WITH O – RINGS AND A SCREWS

DRAWINGS



Y			
POS. 2	POS. 3	POS. 4	POS. 5
65 mm	82 mm	99 mm	116 mm

3/2 – 1/8" SINGLE SOLENOID N.C.



- ❑ Flow rate is 600 NI / min. at 6 bar
- ❑ Pneumatic connection ports 1.2.3.4.5 .. 1/8"
- ❑ Body Al. 2011 natural anodized
- ❑ Covers Al. 2011 natural anodized / back cover black anodized
- ❑ Min. working pressure is 2 bar
- ❑ 3 cycle / sec. reachable max. life time
- ❑ Voltage is 24 v dc

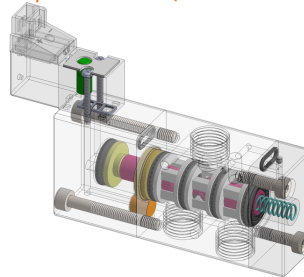
3/2 – 1/8" SINGLE SOLENOID N.O.



ORDERING CODES for a VALVE

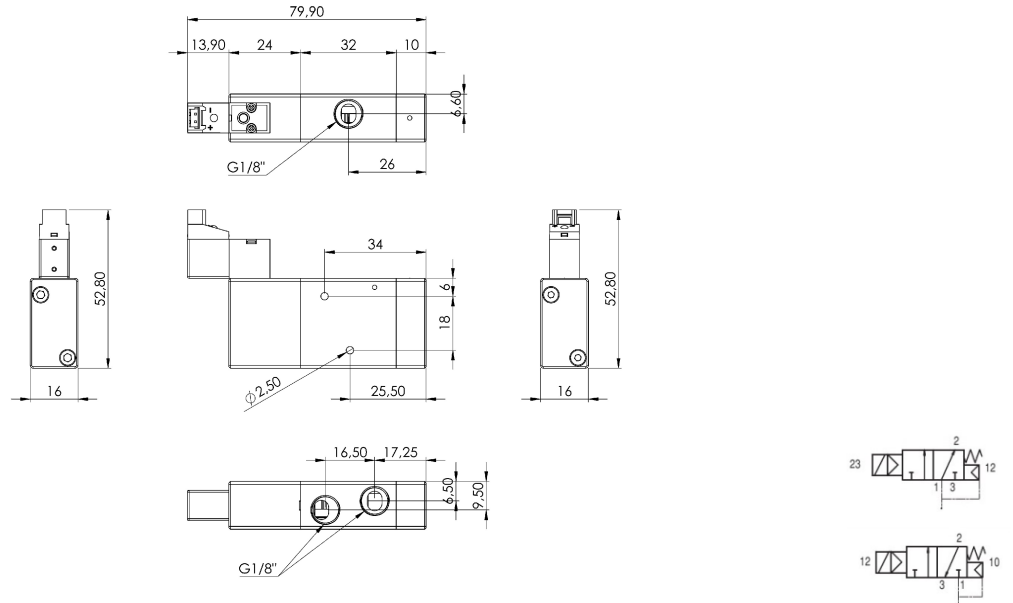
- 3/2 – 1/8" SINGLE SOLENOID n.c. : SMG3218TB00MNK
- 3/2 – 1/8" SINGLE SOLENOID n.o. : SMG3218TB00MNA

Transparente view 3/2 n.c. - n.o.



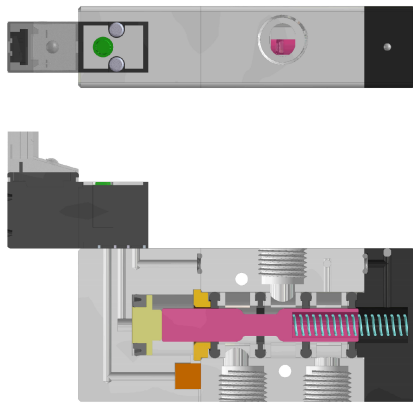
Fluid	: Compressed filtered air with or without lubrication If lubrication used at ones must be continuous .
Pressure range	: min.2 bar - max. 7 bar spring return with internal air pilot
Temperature range	: - 10 ° C / + 50 ° C
Version	: 3/2 - 1/8" spring return / n.o. / n.c.
Materials	
Covers	: Front cover al. 2011 natural anodized back cover Al.2011 black anodized
spool	: Al. 6000 anodized 0,4 µm
Seals	: NBR
Body	: Natural anodized aluminium al. 2011
Nominal Orifice	: 5 mm
Mounting	: In any position
Flow rate	: 600 NI/ min. at 6 bar Δp 1 bar
Life time	: 3 cycle / sec. with suitable cylinder / 50.000 cycle life time under proper condition
Vacuum	: Vacuum and low pressure application is not possible

DRAWING (N.C. / N.O.) (EXTERNAL PILOT)



SOLID IMAGE

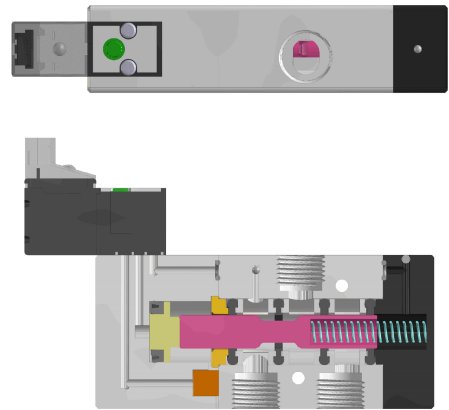
(3/2 single solenoid n.c.)



Air pressure supply

SOLID IMAGE

(3/2 single solenoid n.o.)



Air pressure supply

ACCESSORIES & SPARE PARTS



COILS & SOCKETS
(page M.28)



4 * spool o-ring
1 * valve piston gasket

O- RING KIT
Cod. SMG1801A



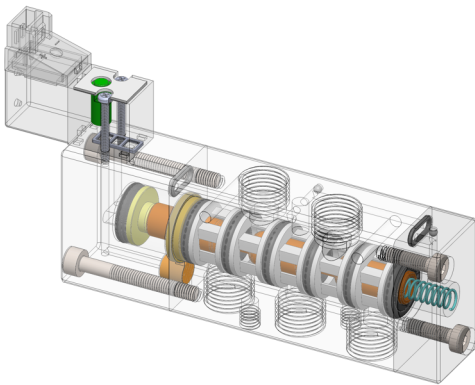
BASES &
BLANKING PLATE
(page M.26)

5/2 – 1/8" SINGLE SOLENOID (spring return with air pilot)



- ❑ Flow rate is 600 NI / min. at 6 bar
- ❑ Pneumatic connection ports 1.2.3.4.5 ... 1/8"
- ❑ Body Al. 2011 natural anodized
- ❑ Front cover Al. 2011 natural anodized / Back cover black anodized
- ❑ Min. working pressure is 2 bar / Max. 7 bar
- ❑ 3 cycle / sec. reachable max. life time
- ❑ Coil voltage is 24 v dc

Transparent view 5/2 single solenoid



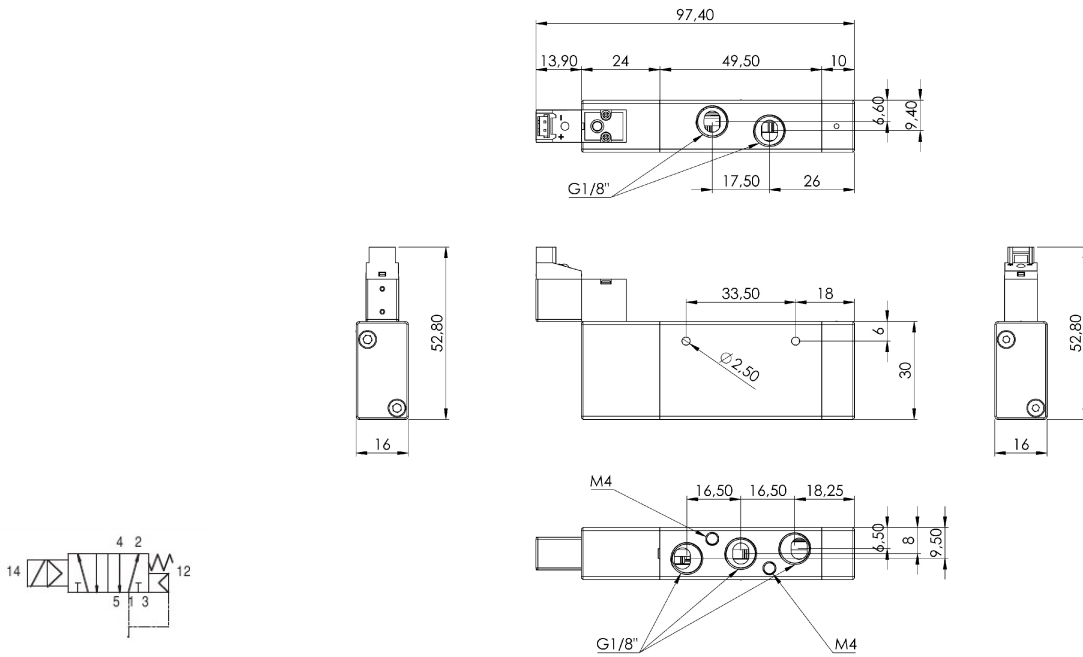
ORDERING CODES for a VALVE

5/2 – 1/8" SINGLE SOLENOID 24 v dc : SMG5218TB00M00
 (spring return with internal pilot air)

Fluid	: Compressed filtered air with or without lubrication If lubrication used at ones must be continuous .
Pressure range	: Optimum working pressure range : min.2 bar max. 7 bar
Temperature range	: - 10 ° C / + 50 ° C
Version	: 5/2 - 1/8" spring return with internal pilot air
Materials	
Covers	: Front cover al. 2011 natural anodized back cover Al.2011 black anodized
spool	: Al. 6000 anodized 0,4 µm
Seals	: NBR
Body	: Natural anodized aluminium al. 2011
Nominal Orifice	: 5 mm
Mounting	: In any position
Flow rate	: 500 NI/ min. at 6 bar Δp 1 bar
Life time	: 3 cycle / sec . reachable 40 milion cycle life time under proper conditions

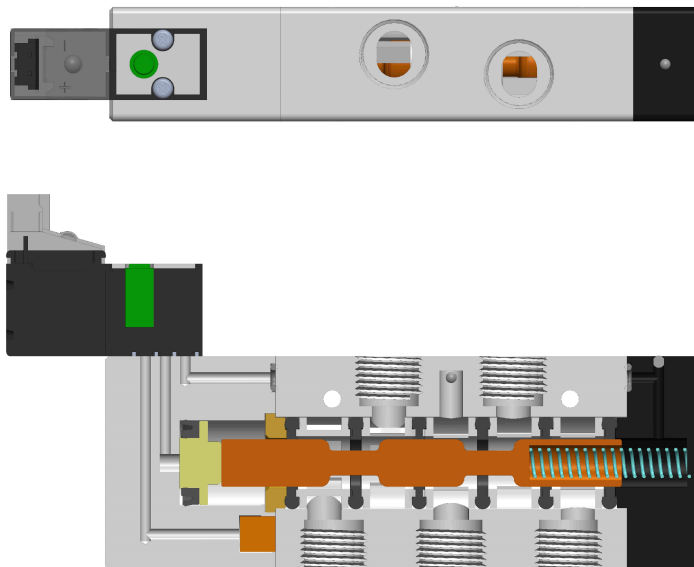
DRAWING

(5/2 spring return)



SOLID IMAGE

(5/2 single solenoid)



ACCESSORIES & SPARE PARTS



COIL with LED & cable
(page M.28)



6 * spool o-ring
1 * valve piston gasket

O- RING KIT
Cod. SMG1801



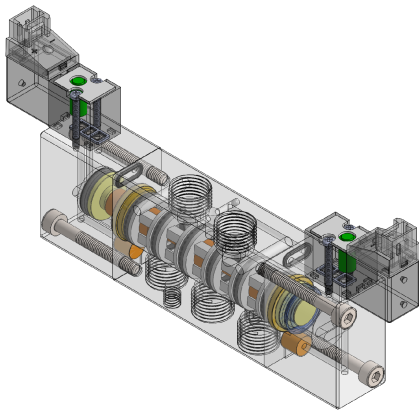
BASES &
BLANKING PLATE
(page M.26)

5/2 – 1/8" DOUBLE SOLENOID (bistable)



- ❑ Flow rate is 600 NI / min. at 6 bar
- ❑ Pneumatic connection ports 1.2.3.4.5 ... 1/8"
- ❑ Body Al. 2011 natural anodized
- ❑ Covers Al. 2011 natural anodized
- ❑ Min. working pressure is 1,5 bar / Max. 7 bar
- ❑ 5 cycle / sec. reachable max. life time
- ❑ Coil voltage is 24 v dc

Transparent view 5/2 double solenoid bistable



ORDERING CODES for a VALVE

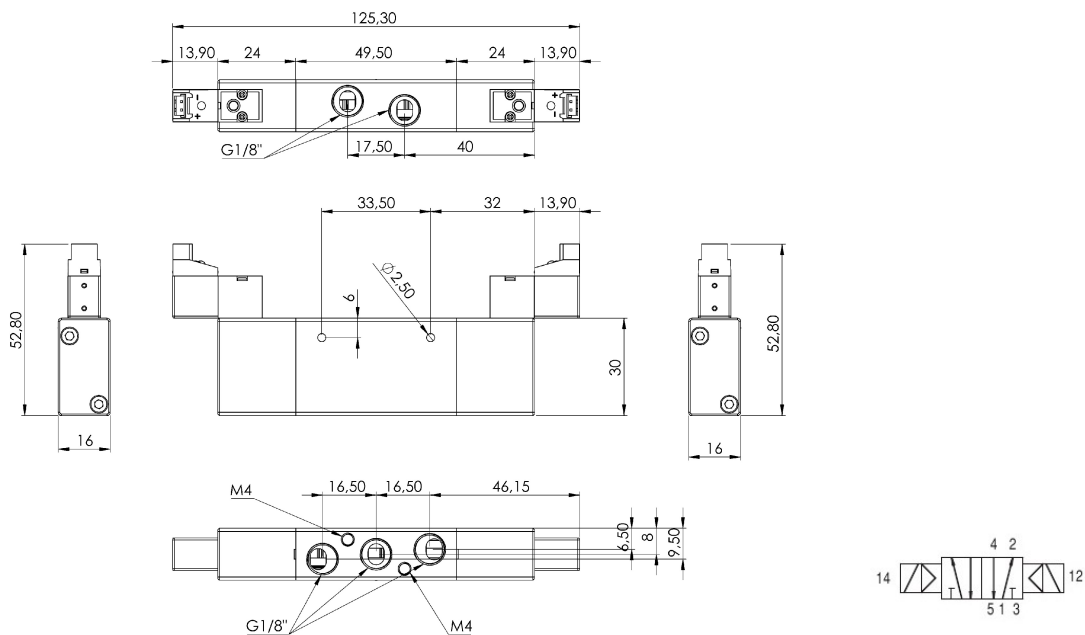
5/2 – 1/8" BISTABLE

: SMG5218CB00M00

Fluid	:	Compressed filtered air with or without lubrication If lubrication used at ones must be continuous .
Pressure range	:	min.1,5 bar max. 7 bar
Temperature range	:	- 10 ° C / + 50 ° C
Version	:	5/2 - 1/8" bistable double solenoid
Materials		
	Covers	: Front cover al. 2011 natural anodized
	spool	: Al. 6000 anodized 0,4 µm
	Seals	: NBR
	Body	: Natural anodized aluminium al. 2011
Nominal Orifice	:	5 mm
Mounting	:	In any position
Flow rate	:	600 NI/ min. at 6 bar Δp 1 bar
Life time	:	3 cycle / sec. with suitable cylinder / 50.000 cycle life time under proper condition

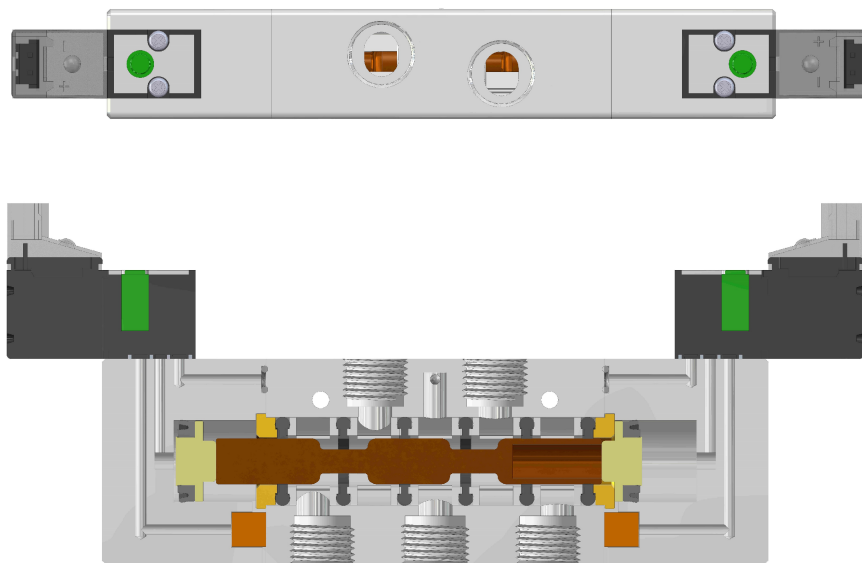
DIMENSIONES

(5/2 bistable)



SOLID IMAGE

(5/2 bistable solenoid)



ACCESSORIES & SPARE PARTS



COILS & SOCKETS
(page M.28)



6 * spool o-ring
2 * valve piston gasket

O- RING KIT
Cod. SMG180B



BASES &
BLANKING PLATE
(page M.26)

5/3 – 1/8" DOUBLE SOLENOID (closed center)

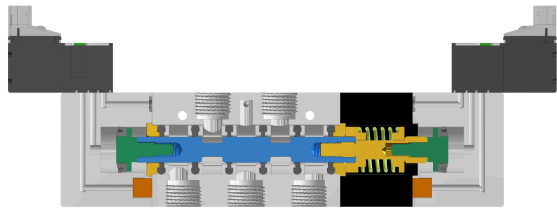


- ❑ Flow rate is 400 NI / min. at 6 bar
- ❑ Pneumatic connection ports 1.2.3.4.5 .. 1/8"
- ❑ Body Al. 2011 natural anodized
- ❑ Covers Al. 2011 natural anodized
- ❑ Min. working pressure is 3 bar
- ❑ 3 cycle / sec. reachable max. life time
- ❑ Voltages are 24 v dc

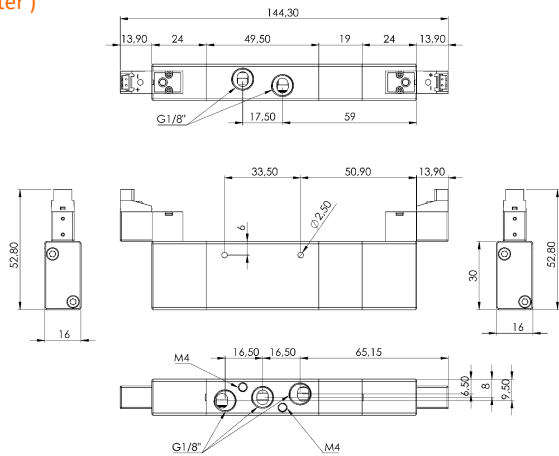
ORDERING CODES for a VALVE

5/3 – 1/8" DOUBLE SOLENOID C.C : SMG5318CB00MKM
 5/3 – 1/8" DOUBLE SOLENOID O.C. : SMG5318CB00MAM

5/3 – 1/8" DOUBLE SOLENOID (closed center)



DIMENSION of 5/3 – 1/8" DOUBLE SOLENOID (closed center)



Fluid	: Compressed filtered air with or without lubrication If lubrication used at ones must be continuous .
Pressure range	: min. 3 bar - max. 7 bar
Temperature range	: - 10 ° C / + 50 ° C
Version	: 5/3 - 1/8" double solenoid / closed center / open center
Materials	
Covers	: Front cover al. 2011 natural anodized
spool	: Al. 6000 anodized 0,4 µm
Seals	: NBR
Body	: Natural anodized aluminium al. 2011
Orifice	: 5 mm
Mounting	: In any position
Flow rate	: 400 NI/ min at 6 bar
Cycle per min.	: 150 cycle / min (from port 2 or port 4 to neutral position)

3/2 – 1/8" DOUBLE SOLENOID (2 * N.C.)



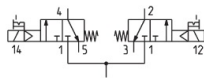
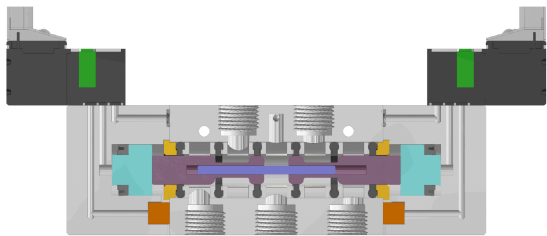
- Flow rate is 300 NI / min. at 6 bar
- Pneumatic connection ports 1.2.3.4.5 .. 1/8"
- Body Al. 2011 natural anodized
- Front cover Al. 2011 natural anodized
- Min. working pressure is 2 bar
- 3 cycle / sec. reachable max. life time
- Voltages are 24 v dc

ORDERING CODES for a VALVE

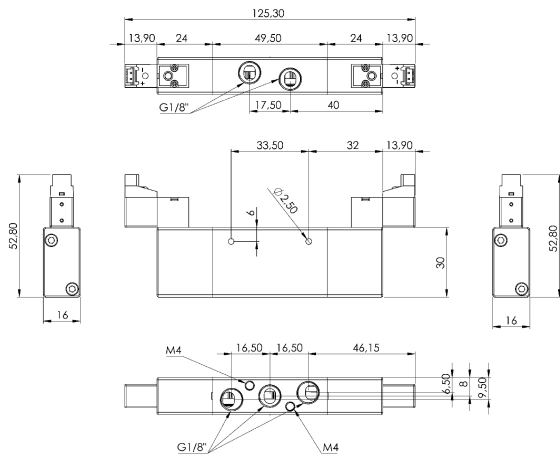
3/2 – 1/8" DOUBLE SOLENOID 2 * N.C.

: SMG3218CB02MNK

3/2 – 1/8" DOUBLE SOLENOID (2 * N.C.)



DIMENSIONES



Fluid : Compressed filtered air with or without lubrication

If lubrication used at ones must be continuous .

Pressure range : min.2 bar max. 7 bar

Temperature range : - 10 ° C / + 50 ° C

Version : 2 * 3/2 - 1/8" double solenoid – air spring return

Materials

Covers : Front cover al. 2011 natural anodized

spool : Al. 6000 anodized 0,4 µm

Seals : NBR

Body : Natural anodized aluminium al. 2011

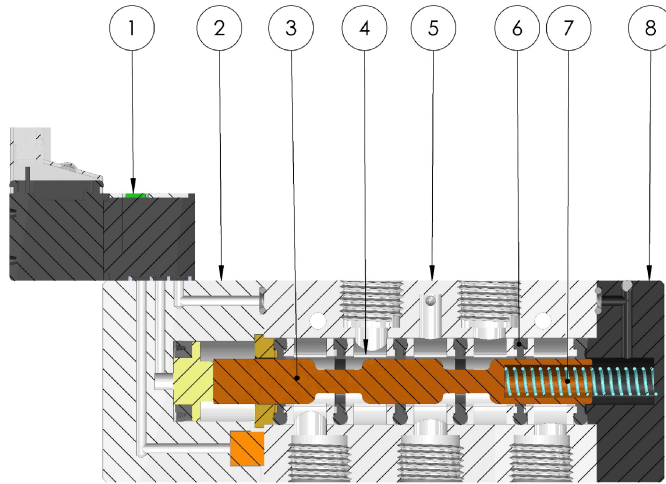
Nominal Orifice : 5 mm

Mounting : In any position

Flow rate : 300 NI/ min. at 6 bar Δp 1 bar

Life time : 3 cycle / sec. with suitable cylinder / 50.000 cycle life time under proper condition

INTERNAL PARTS OF SEMAKMATIC SERIE SOLENOID VALVE



1	MANUAL OVERRIDE	PLASTIC MATERIAL
2	HEAD	AL 2011 NATURAL COLORED ANODIZED
3	SPOOL	HARD ALUMINIUM ANODIZED
4	DISTANCERS	FORTRON 1140 L4
5	BODY	AL 2011 NATURAL ANODIZED
6	SEALS	HYDROGENATED NITRILE BUTADIENE RUBBER (HNBR)
7	SPRING	STAINLESS STEEL
8	BACK COVER	BACK COVER BLACK COLORED ANODIZED

SPARE PARTS of THE VALVE (O – RING kit)



O- RING KIT
Cod. SMG1801A



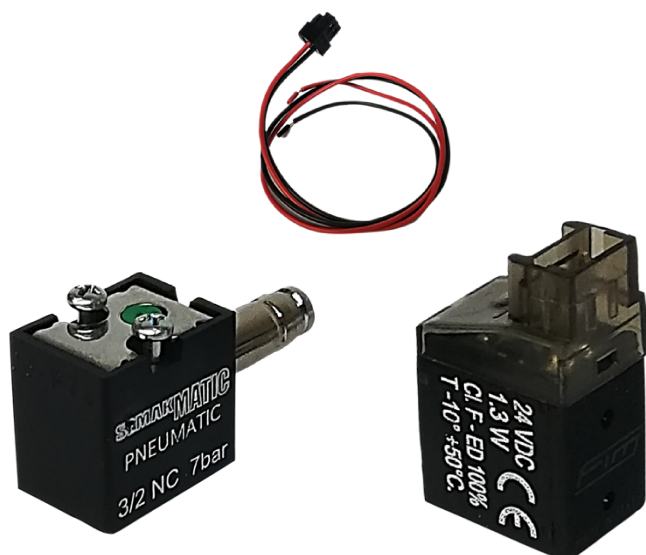
O- RING KIT
Cod. SMG1801



O- RING KIT
Cod. SMG1801B

ORDERING Cod. SMG1801 – A - B

COILS AND SOCKETS



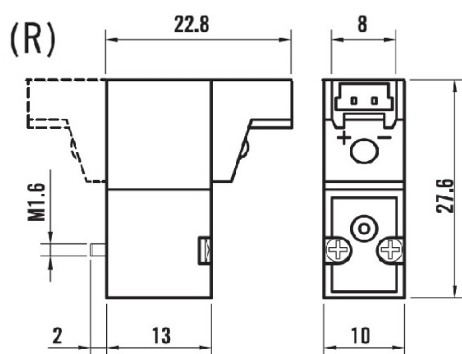
	For DC
Voltage tolerance	+ / - 5 %
Electrical Consumption	1.3W
Frequenzy	30
Voltages	24 DC
Duty cycle	% 100 ED
Temperature range	- 10 °C / + 50 ° C
Coil size	10 mm wide / suitable for 4,5 mm brass tube
Pneumatic Interface	ISO15218

ORDERING CODES

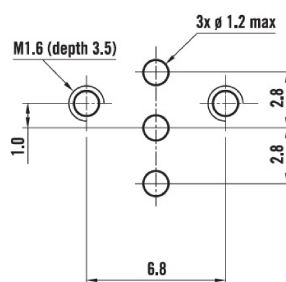
3/2 – MINI POPPET VALVE
KABLO / CABLE

SMV32M5TBP1TNK
SMV000000P100K

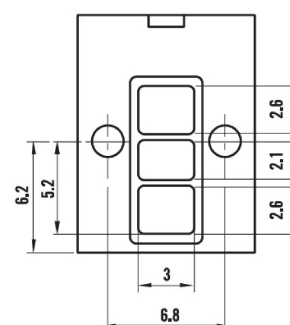
COILS AND SOCKETS



90° CONNECTOR
CONNETTORE 90°

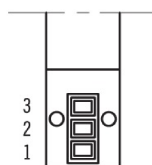


SUGGESTED SUBBASE



PNEUMATIC INTERFACE
(ACCORDING TO ISO:15218)

1	2	3
IN	OUT	EXH



3/2 N.C.



Coil can be rotated in any position with a "click" system



SEMAK MATIC
PNEUMATIC EQUIPMENTS

SMG MULTIPIN SERİ VALFLER / SMG MP VALVES

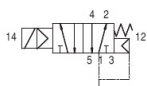
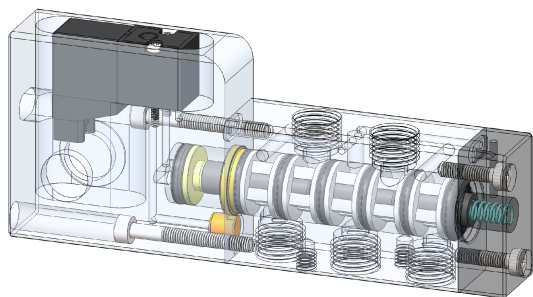
5/2 TEK BOBİN VALF / 5/2 SINGLE SOLENOID VALVE	pag. 20
5/2 ÇİFT BOBİN VALF / 5/2 BISTABLE VALVE	pag. 21
2 * 3/2 ÇİFT BOBİN VALFLER / 2 * 3/2 DOUBLE SOLENOID VALVES	pag. 22
5/3 ÇİFT BOBİN K.M. – A.M. / 5/3 DOUBLE SOLENOID C.C. – O.C.	pag. 23
PLEYTLER / BASES	pag. 24
MULTIPIN KUTULARI .. KABLolarI / MULTIPIN BOXES .. CABLES	pag. 25
VALF ADASI MONTAJI / HOW TO ASSEMBLE A VALVE TERMINAL	pag. 26

5/2 – 1/8" SINGLE SOLENOID



- ❑ Flow rate is 600 NI / min. at 6 bar
- ❑ Pneumatic connection ports 1.2.3.4.5 ... 1/8"
- ❑ Body Al. 2011 natural anodized
- ❑ Front cover Al. 2011 natural anodized / Back cover black anodized
- ❑ Min. working pressure is 3 bar / Max. 7 bar
- ❑ 3 cycle / sec. reachable max. life time
- ❑ Coil voltage is 24 v dc

INTERNAL VIEW

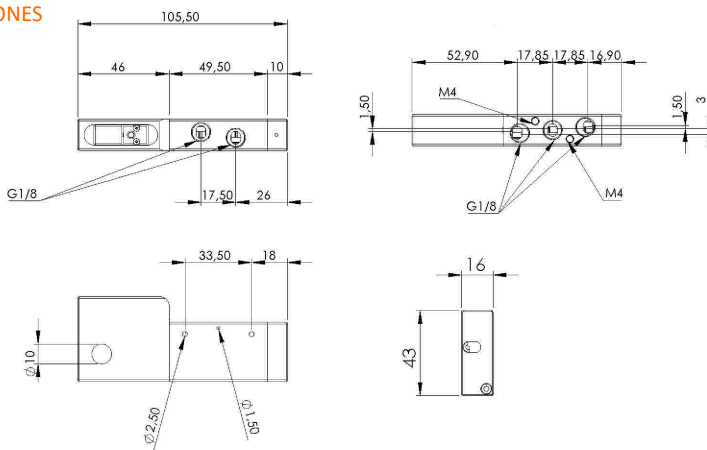


ORDERING CODES for a VALVE

5/2 – 1/8" SINGLE SOLENOID 24 v dc
(spring return with internal pilot air)

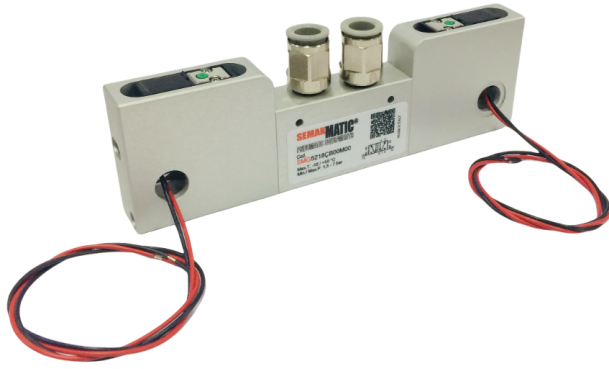
: SMG52MPTB00M00

DIMENSIONES



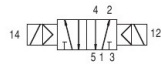
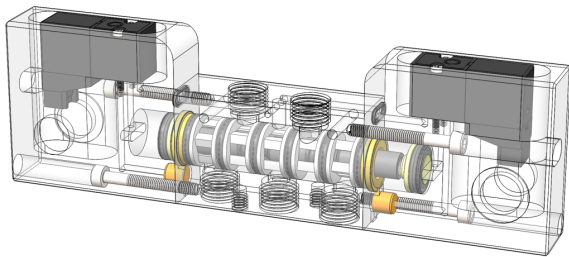
Fluid	: Compressed filtered air with or without lubrication If lubrication used at ones must be continuous .
Pressure range	: Optimum working pressure range : min.3 bar max. 7 bar
Temperature range	: - 10 ° C / + 50 ° C
Version	: 5/2 - 1/8" spring return with internal pilot air
Materials	
Covers	: Front cover al. 2011 natural anodized back cover Al.2011 black anodized
spool	: Al. 6000 anodized 0,4 µm
Seals	: NBR
Body	: Natural anodized aluminium al. 2011
Nominal Orifice	: 5 mm
Mounting	: In any position
Flow rate	: 600 NI/ min. at 6 bar Δp 1 bar
Life time	: 3 cycle / sec. with suitable cylinder / 50.000 cycle life time under proper condition
Vacuum / external pilot	: Not possible

5/2 – 1/8" DOUBLE SOLENOID (bistable)



- ❑ Flow rate is 600 NI / min. at 6 bar
- ❑ Pneumatic connection ports 1.2.3.4.5 ... 1/8"
- ❑ Body Al. 2011 natural anodized
- ❑ Covers Al. 2011 natural anodized
- ❑ Min. working pressure is 1,5 bar / Max. 7 bar
- ❑ 5 cycle / sec. reachable max. life time
- ❑ Coil voltage is 24 v dc

INTERNAL VIEW

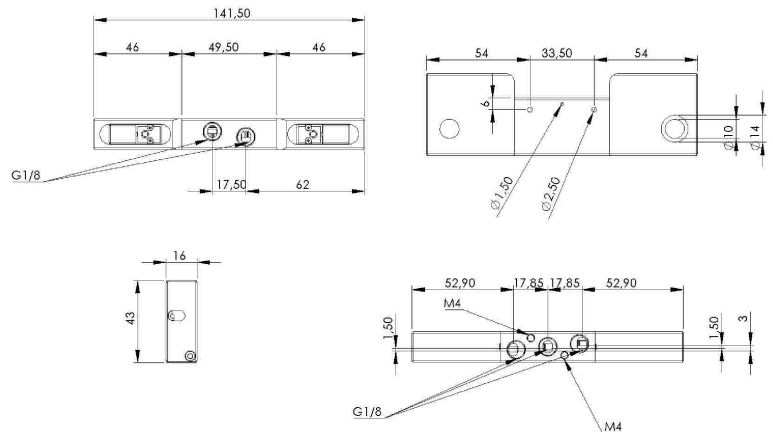


ORDERING CODES for a VALVE

5/2 – 1/8" DOUBLE SOLENOID BISTABLE

: SMG52MPCB00M00

DIMENSIONES



Fluid : Compressed filtered air with or without lubrication

If lubrication used at ones must be continuous .

Pressure range : Optimum working pressure range : min.1,5 bar max. 7 bar

Temperature range : - 10 ° C / + 50 ° C

Version : 5/2 - 1/8" double solenoid bistable

Materials

Covers : Al. 2011 natural anodized

spool : Al. 6000 anodized 0,4 µm

Seals : NBR

Body : Natural anodized aluminium al. 2011

Nominal Orifice : 5 mm

Mounting : In any position

Flow rate : 600 NI/ min. at 6 bar Δp 1 bar

Life time : 5 cycle / sec. with suitable cylinder / 50.000 cycle life time under proper condition

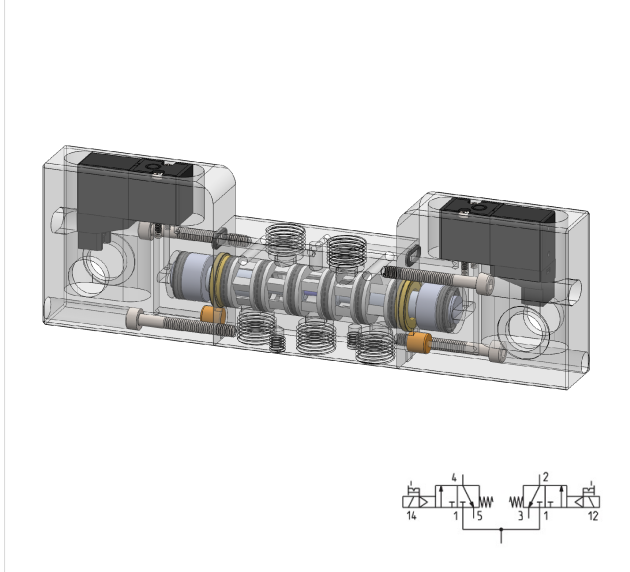
Vacuum / external pilot : Not possible

2 * 3/2 N.C. - 1/8" DOUBLE SOLENOID



- ❑ Flow rate is 300 NI / min. at 6 bar
- ❑ Pneumatic connection ports 1.2.3.4.5 ... 1/8"
- ❑ Body Al. 2011 natural anodized
- ❑ Covers Al. 2011 natural anodized
- ❑ Min. working pressure is 2 bar / Max. 7 bar
- ❑ 3 cycle / sec. reachable max. life time
- ❑ Coil voltage is 24 v dc

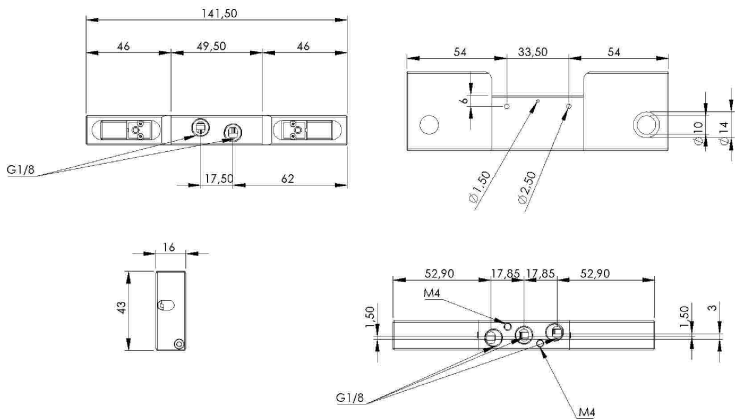
INTERNAL VIEW



ORDERING CODES for a VALVE

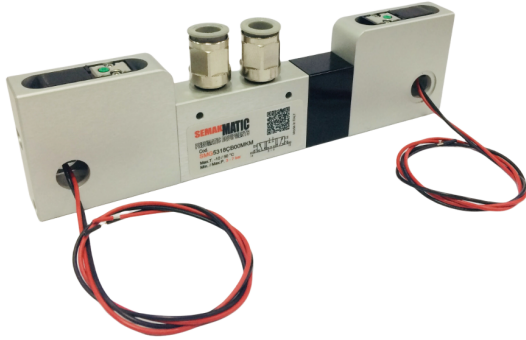
2 * 3/2 - 1/8" DOUBLE SOLENOID 2 * N.C. : SMG32MPCB02MNK

DIMENSIONES



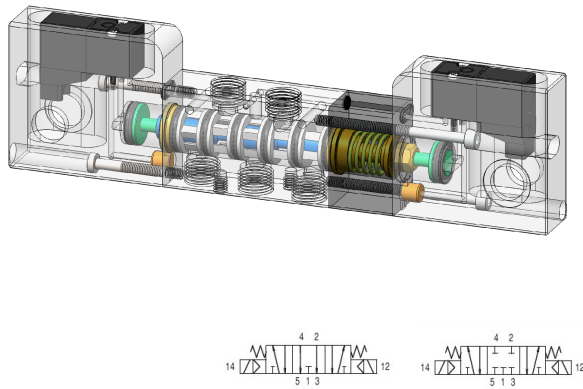
Fluid	: Compressed filtered air with or without lubrication If lubrication used at ones must be continuous .
Pressure range	: Optimum working pressure range : min.2 bar max. 7 bar
Temperature range	: - 10 ° C / + 50 ° C
Version	: 2 * 3/2 - 1/8" double solenoid
Materials	
Covers	: Al. 2011 natural anodized
spool	: Al. 6000 anodized 0,4 µm
Seals	: NBR
Body	: Natural anodized aluminium al. 2011
Nominal Orifice	: 5 mm
Mounting	: In any position
Flow rate	: 300 NI/ min. at 6 bar Δp 1 bar
Life time	: 3 cycle / sec. with suitable cylinder / 50.000 cycle life time under proper condition
Vacuum / external pilot	: Not possible

5/3 – 1/8" DOUBLE SOLENOID (closed center)



- ❑ Flow rate is 400 NI / min. at 6 bar
- ❑ Pneumatic connection ports 1.2.3.4.5 ... 1/8"
- ❑ Body Al. 2011 natural anodized
- ❑ Covers Al. 2011 natural anodized
- ❑ Min. working pressure is 3 bar / Max. 7 bar
- ❑ 3 cycle / sec. reachable max. life time
- ❑ Coil voltage is 24 v dc

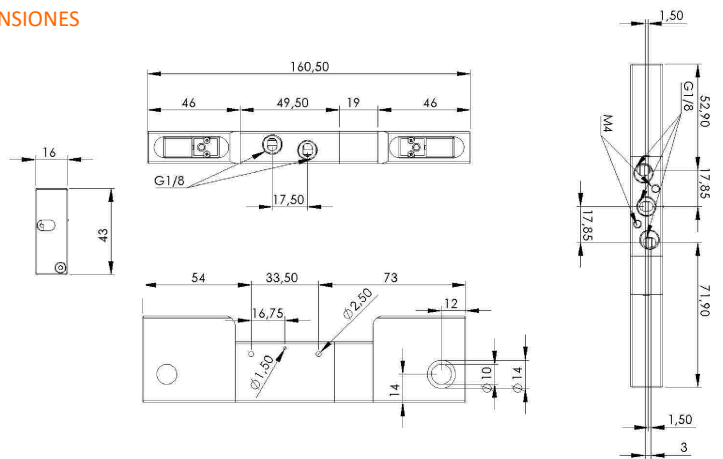
INTERNAL VIEW 5/3 – 1/8" DOUBLE SOLENOID C.C.



ORDERING CODES for a VALVE

5/3 – 1/8" DOUBLE SOLENOID C.C : SMG53MPCB00MKM
 5/3 – 1/8" DOUBLE SOLENOID O.C. : SMG53MPCB00MAM

DIMENSIONES



Fluid : Compressed filtered air with or without lubrication

If lubrication used at ones must be continuous .

Pressure range : Optimum working pressure range : min.3 bar max. 7 bar

Temperature range : - 10 ° C / + 50 ° C

Version : 5/3 - 1/8" double solenoid C.C / O.C.

Materials

Covers : Al. 2011 natural anodized /

spool : Al. 6000 anodized 0,4 µm

Seals : NBR

Body : Natural anodized aluminium al. 2011

Nominal Orifice : 5 mm

Mounting : In any position

Flow rate : 400 NI/ min. at 6 bar Δp 1 bar

Life time : 3 cycle / sec. with suitable cylinder / 50.000 cycle life time under proper condition

Vacuum / external pilot : Not possible

2 – 3 POSITION BASE

BASE

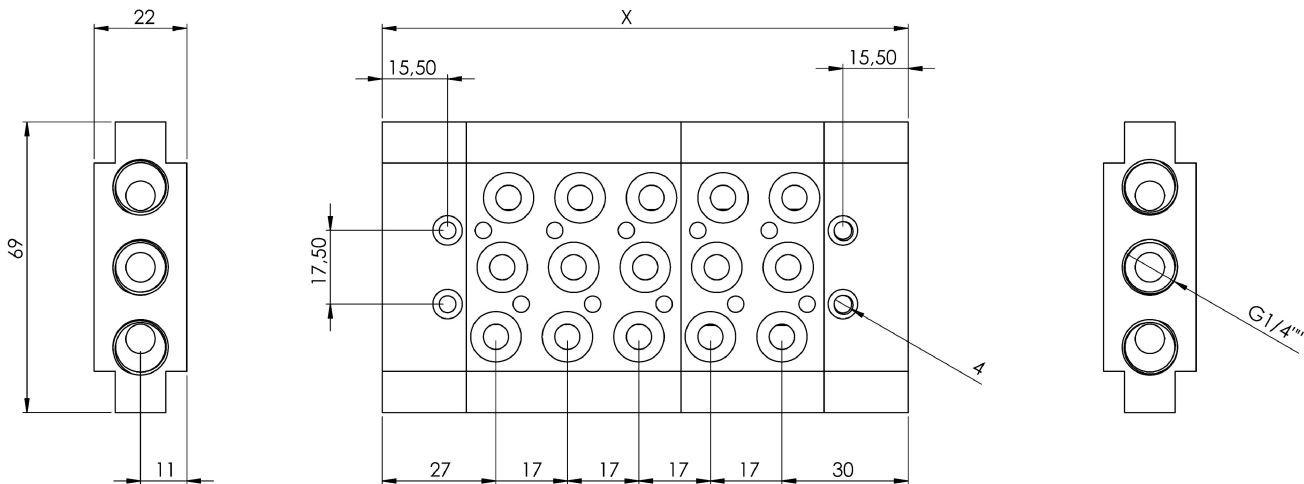


ORDERING CODES for BASES & PLANKING PLATE

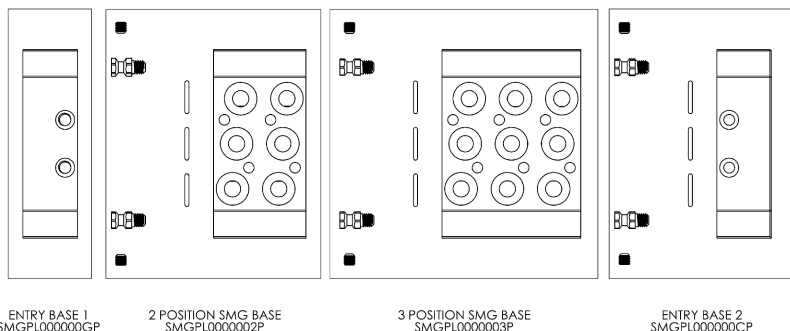
2 POSITION SMG BASE	: SMGPL0000002P
3 POSITION SMG BASE	: SMGPL0000003P
ENTRY BASE 1	: SMGPL000000GP
ENTRY BASE 2	: SMGPL000000CP
BLANKING PLATE	: SMGPL000000KP
PLATE FOR ADD. AIR AND EXHAUST	: SMGPL000000EHP
PRESSURE DIFFERENCE PLUG	: SMGPL000000BFT

ALL THE BASES SUPPLIED WITH O – RINGS AND SCREWS

DRAWINGS



X											
POS. 2	POS. 3	POS. 4	POS. 5	POS. 6	POS. 7	POS. 8	POS. 9	POS. 10	POS. 11	POS. 12	POS. ...
74 mm	91 mm	108 mm	125 mm	142 mm	159 mm	176 mm	193 mm	210 mm	227 mm	244 mm	... mm



MULTIPIN BOXES

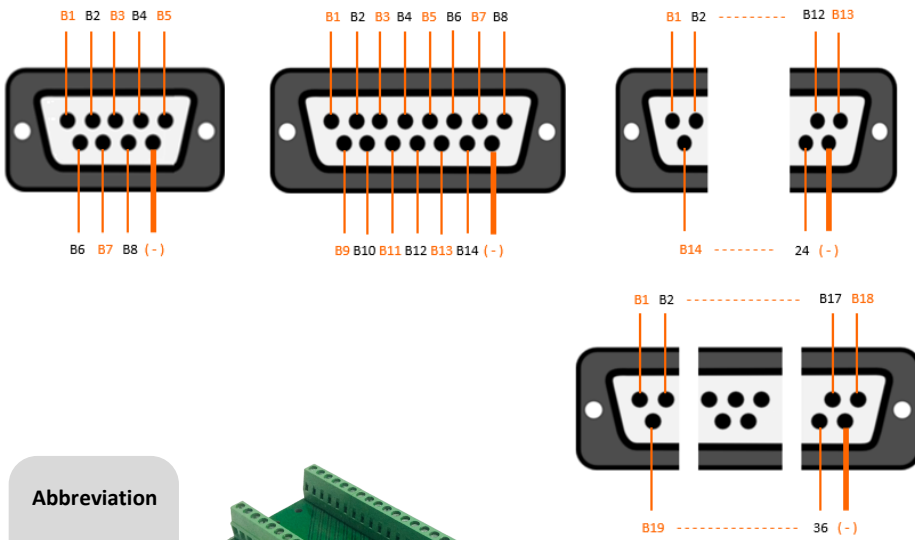


- * 9 PIN BOX
- * 15 PIN BOX
- * 25 PIN BOX
- * 37 PIN BOX

Boxes are made with aluminium material.
RS 232 connection pcb bord is with solderless klemens.
Protection class is standart IP 51 . IP 65 - 67 on request .
Information sticker is made of special waterproof material

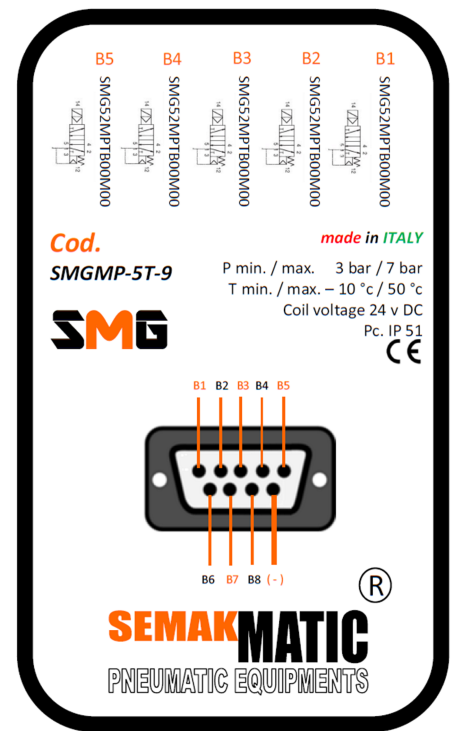
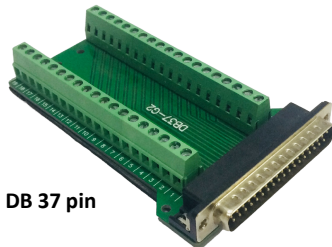
ORDERING CODES for Boxes

9 PIN BOX	: SMGKU10000009
15 PIN BOX	: SMGKU20000015
25 PIN BOX	: SMGKU30000025
37 PIN BOX	: SMGKU40000037



Abbreviation

- B1 ... coil 1
- B2 ... coil 2
- ...
- B36 .. coil 36



MULTIPIN CABLES



- * 9 PIN CABLE with DB 9 connector
- * 15 PIN CABLE with DB 15 connector
- * 25 PIN CABLE with DB 25 connector
- * 37 PIN CABLE with DB 37 connector

DB 9 – 15 – 25 – 37 D SUB serial terminal Male adaptor .
Rs 232 solderless type

PVC grey colored cable under the standart of LIY (St) CY - OZ
Dia of internal cable is 0,22 mm² (number indicator from 1 to ... 37)

ORDERING CODES for Cables

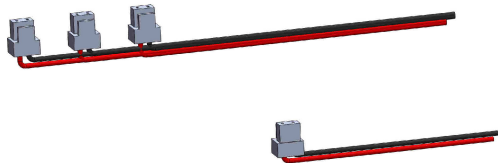
9 PIN CABLE	: SMGKA00000009
15 PIN CABLE	: SMGKA00000015
25 PIN CABLE	: SMGKA00000025
37 PIN CABLE	: SMGKA00000037

SMG MP VALVE TERMINAL PARTS

24 v DC COILS

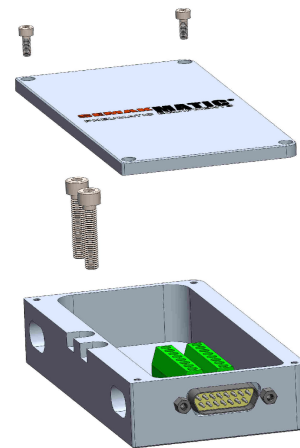


SOCKETS with WIRE



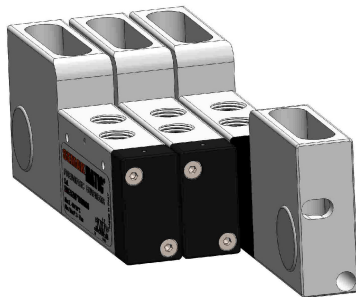
9 PIN BOX
15 PIN BOX
25 PIN BOX
37 PIN BOX

DB 9
DB 15
DB 25
DB 37
FEMALE
SOLDERLESS
RS 232



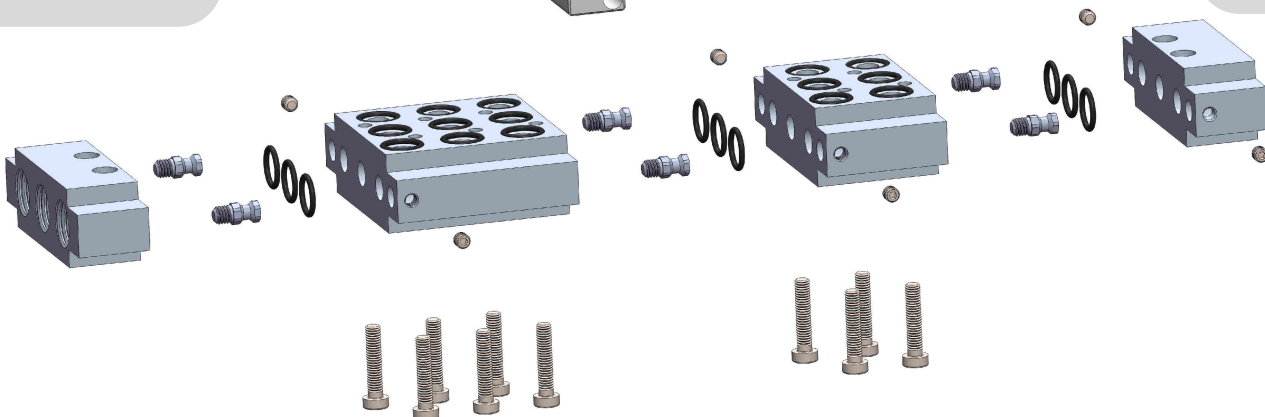
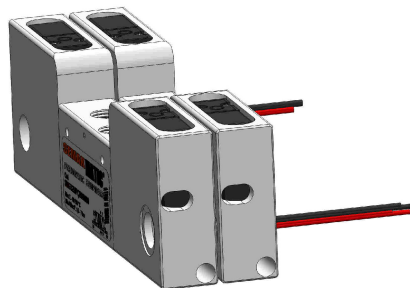
SMG MP VALVE **T**
5/2 single solenoid

SMG MP VALVE **K**
5/3 – C.C.
Double solenoid



SMG MP VALVE **N**
2 x 3/2
double solenoid

SMG MP VALVE **Ç**
5/2 double solenoid



SMG MP ENTRY BASE

3 POSITION BASE

2 POSITION BASE

SMG MP END BASE



Cod.
SMGMP-5T-1K-1C-1N-15

SEMAKMATİK
PNEUMATIC EQUIPMENTS

SEMAKMATİK

SAN. TİC. LTD. ŞTİ.

DARÜLACEZE CAD. PERPA TİC. MERKEZİ
B BLOK KAT 11 No. 1639 OKMEYDANI / İSTANBUL
TURKEY

TEL : 0090 212 221 27 80

www.semakmatik.com
semakmatik@semakmatik.com

JUNE 2023 / HAZİRAN 2023