



VACUUM



SEMAK[®]MATIC
PNEUMATIC EQUIPMENTS

SEMAKMATIC

PNEUMATIC EQUIPMENTS

VACUUM

(5.1) VACUUM GENERATOR M5

(5.2) VACUUM GENERATOR 1/4" - 3/8" – 1/2"

(5.5) NBR SUCTION CUPS

(5.6) SILICONE SUCTION CUPS

(5.8) VACUUM SWITCHES / MANOMETERS

M5 VACUUM GENERATOR

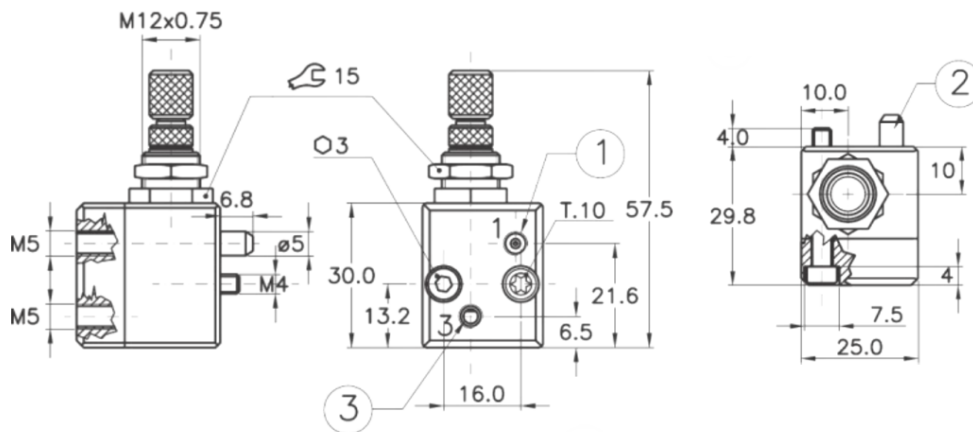


- * *Technopolimer body*
- * *Max. working pressure is 10 bar*
- * *NBR seals*
- * *Vacuum pressure control via adjusting knob*
- * *Suitable density not higher than 1.1*
- * *Min working pressure is 2 bar*

ORDERING CODES for M5 VACUUM GENERATOR

M5 VACUUM GENERATOR

: SMJM5T00000VJ



M5 serie vacuum generator can also be used for low viscosity liquids .

*Continuous lubrication of the parts
Refrigeration spraying
Spraying lubricants for tools
and cutting blades*

- 1 *Inlet pressure*
- 2 *VACUUM*
- 3 *Exhaust*

Fluid	: Compressed filtered air with or without lubrication Suitable also for water and low viscosity liquids
Pressure range	: min. 2 bar - max. 10 bar
Temperature range	: - 10 ° C / + 50 ° C
Working system	: Venturi effect
Materials	
Adjusting knob	: Nickel plated brass
Color	: Black / orange
Seals	: hydrogenated NBR
Body	: Technopolimer
Orifice	: 0,8 mm
Mounting	: In any position
Vacuum condition	: Max. regulation of the pressured air at 5 bar (360 mm Hg) (- 0,5 bar) vacuum
Consumption	: 100 lt / min.
Ports / thread	: 1 Inlet pressure (M5) , 3 Vacuum (M5) , 2 Exhaust (Ø 2 mm)

1/4" VACUUM GENERATOR

1/4" VACUUM GENERATOR

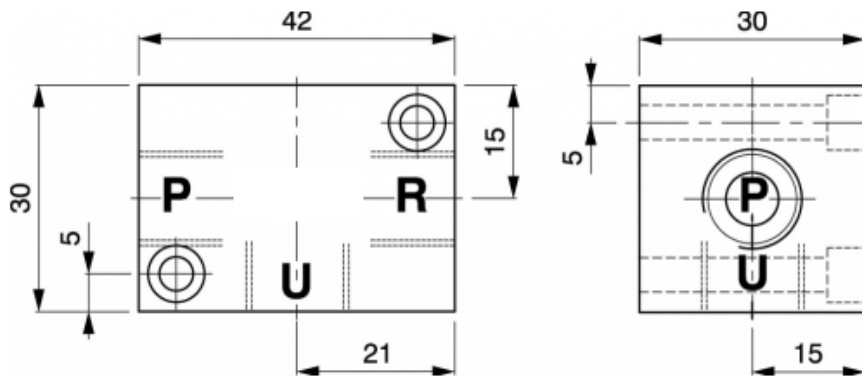


- * Aluminium body Black anodized
- * Max. working pressure is 10 bar
- * Smaller body with efficient suction value
- * 1/4" BSPP threaded U – P – R ports
- * Max. Vacuum 640 mm/Hg
- * Suction volume at 3,5 bar 30 NI/min.

ORDERING CODES for 1/4" VACUUM GENERATOR

1/4" VACUUM GENERATOR

: SMJ14M00000VJ



1/4" serie vacuum generator
can also be used for low viscosity
liquids .

- 1 Inlet pressure (1/4")
- 2 VACUUM (1/4")
- 3 Exhaust (1/4")

Fluid : Compressed filtered air without lubrication

Suitable also for low viscosity liquids

Pressure range : max. 10 bar

Temperature range : - 10 ° C / + 50 ° C

Working system : Venturi effect

Suction volume (NI/min.)

inlet pressure at 2 bar : 35 NI / min.

inlet pressure at 4 bar : 30 NI / min.

inlet pressure at 6 bar : 35 NI / min.

Weight : 96 gr.

Mounting : In any position

Vacuum condition : For efficient vacuum value ,inlet pressure is 3,5 bar . (recommended)

Consumption at 3 bar : 48 lt / min.

Max.Vacuum value : 640 mm / Hg. ≈ 0,85 bar (kg/cm²) ≈ 85 kpa

3/8 " VACUUM GENERATOR

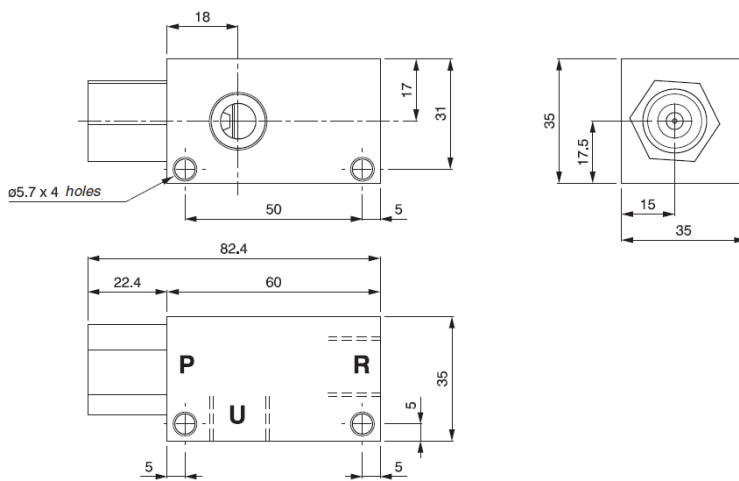


- * Aluminium body Black anodized
- * Max. working pressure is 10 bar
- * Suitable for higher loads
- * 3/8" BSPP threaded U – P – R ports
- * Max. Vacuum 670 mm/Hg
- * Suction volume at 3,5 bar 75 NI/min.

ORDERING CODES for 3/8" VACUUM GENERATOR

3/8 " VACUUM GENERATOR

: SMJ38M000000VJ



3/8 " serie vacuum generator can also be used for low viscosity liquids .

- 1 Inlet pressure (3/8 ")
- 2 VACUUM (3/8 ")
- 3 Exhaust (3/8 ")

Fluid : Compressed filtered air without lubrication

Suitable also for low viscosity liquids

Pressure range : max. 10 bar

Temperature range : - 10 ° C / + 50 ° C

Working system : Venturi effect

Suction values (NI / min.)

inlet pressure at 2 bar : 65 NI / min.

inlet pressure at 4 bar : 80 NI / min.

inlet pressure at 6 bar : 90 NI / min.

Weight : 245 gr.

Mounting : In any position

Vacuum condition : For efficient vacuum value , inlet pressure is 4,5 bar. (recommended)

Consumption at 3 bar : 100 lt / min.

Max.Vacuum value : 670 mm / Hg. ≈ 0,90 bar (kg/cm²) ≈ 90 kpa

1/2 " VACUUM GENERATOR

1/2 " VACUUM GENERATOR

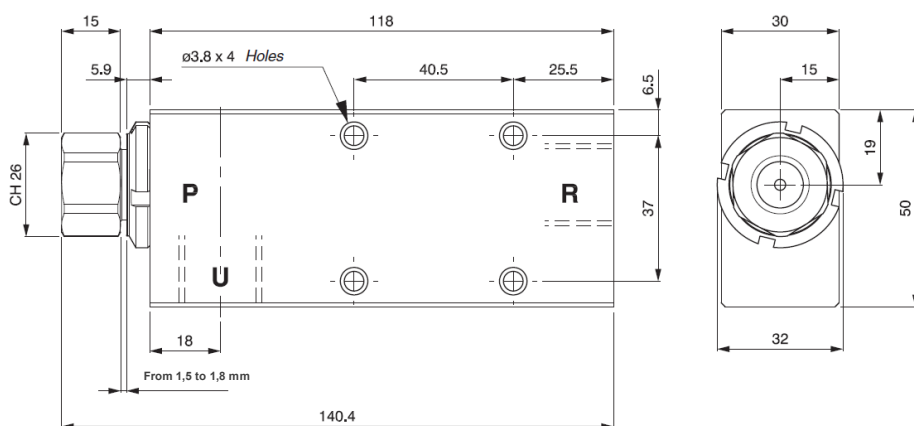


- * Aluminium body Black anodized
- * Max. working pressure is 10 bar
- * Suitable for multi suction cup application
- * 1/2 " BSPP threaded vacuum port
- * Max. Vacuum 620 mm/Hg
- * Suction volume at 3,5 bar 270 NI/min.

ORDERING CODES for 1/2 " VACUUM GENERATOR

1/2" VACUUM GENERATOR

: SMJ12M00000VJ



1/2" serie vacuum generator
can also be used for low viscosity
liquids .

- 1 Inlet pressure (1/4 ")
- 2 VACUUM (1/2 ")
- 3 Exhaust (3/8 ")

Fluid : Compressed filtered air without lubrication

Suitable also for low viscosity liquids

Pressure range : max. 10 bar

Temperature range : - 10 ° C / + 50 ° C

Working system : Venturi effect

Suction values (NI / min.)

inlet pressure at 2 bar : 250 NI / min.

inlet pressure at 4 bar : 300 NI / min.

inlet pressure at 6 bar : 320 NI / min.

Weight : 550 gr.

Mounting : In any position

Vacuum condition : For efficient vacuum value inlet pressure is 6 bar. (recommended)

Consumption at 3 bar : 325 lt / min.

Max.Vacuum value : 620 mm / Hg. \approx 0,82 bar (kg/cm²) \approx 82 kpa

NBR SUCTION CUPS



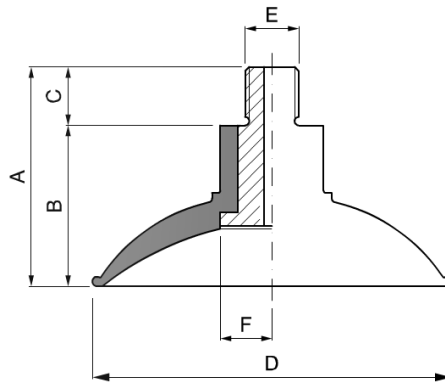
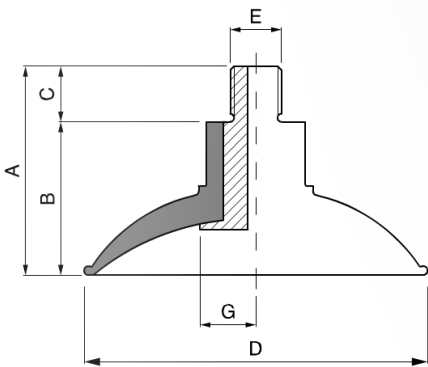
- * *NBR serie single stage suction cups*
- * *For 1/8" diameters are 18 mm – 25 mm – 35 mm*
- * *For 1/4" diameters are 45 mm – 60 mm - 90 mm*

ORDERING CODES for NBR suction cups

1/8" - 18 mm NBR	:	SMJ18NB1800VV
1/8" - 25 mm NBR	:	SMJ18NB2500VV
1/8" - 35 mm NBR	:	SMJ18NB3500VV
1/4" - 45 mm NBR	:	SMJ14NB4500VV
1/4" - 60 mm NBR	:	SMJ14NB6000VV
1/4" - 90 mm NBR	:	SMJ14NB9000VV

Ø 18 mm – Ø 25 mm – Ø 35 mm – Ø 45 mm

Ø 60 mm – Ø 90 mm



	Ø18	Ø25	Ø35	Ø45	Ø60	Ø90
A	26	17	19	31	33	54
B	12	8	10	17	22	40
C	9	9	9	14	11	14
D	18	25	35	45	60	90
E	1/8"	1/8"	1/8"	1/4"	1/4"	1/4"
F	-	-	-	-	25	25
G	10	12	15	19	-	-

NBR serie suction cups has a special resistance to oil ,heat and aging ,good mechanical properties , low degree of permanent deformation and low gaz permeability .

*Chemical resistance ,
Mineral and vegetable oils , Hydracarbons ,water , vapor and gas .
Temperature of recommended usage – 20 / + 60 °C*

How to choose a suction cup ;

$$D = 308 * \sqrt{\frac{F * K}{V * N}}$$

*D diameter of suction cup
F weight in kg.
K constant (recommended min. 1.5)
V vacuum level mm/ Hg
N number of suction cup*

Material : NBR (nitrile rubber black color)

Support material : Nickel plated brass

Diameters : 18 mm – 25 mm – 35 mm – 45 mm – 60 mm – 90 mm

Temperature of usage : - 20 °C / + 60 °C

Suction forces (recommended) : For Ø 18 mm – 0,4 kg. / Ø 25 mm – 0,8 kg / Ø 35 mm – 1,0 kg.
For Ø 45 mm – 2,0 kg. / Ø 60 mm – 2,5 kg / Ø 90 mm – 5,0 kg.

Threads for the support : 1/8" .. 18 mm – 25 mm – 35 mm / 1/4" ..45 mm – 60 mm – 90 mm

SILICONE SUCTION CUPS



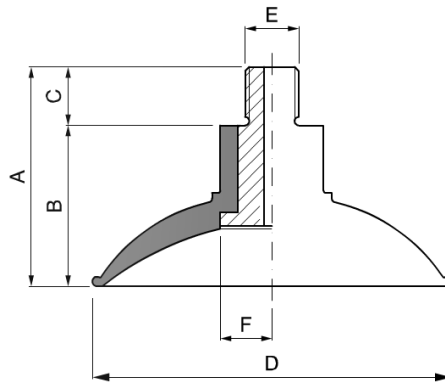
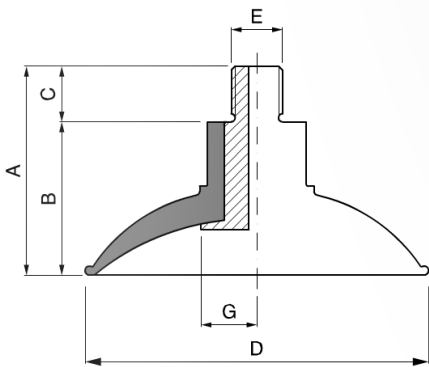
- * SILICONE serie single stage suction cups
- * For 1/8" diameters are 18 mm – 25 mm – 35 mm
- * For 1/4" diameters are 45 mm – 60 mm - 90 mm

ORDERING CODES for SILICONE suction cups

1/8" - 18 mm SILICONE	: SMJ18SI1800VV
1/8" - 25 mm SILICONE	: SMJ18SI2500VV
1/8" - 35 mm SILICONE	: SMJ18SI3500VV
1/4" - 45 mm SILICONE	: SMJ14SI4500VV
1/4" - 60 mm SILICONE	: SMJ14SI6000VV
1/4" - 90 mm SILICONE	: SMJ14SI9000VV

Ø 18 mm – Ø 25 mm – Ø 35 mm – Ø 45 mm

Ø 60 mm – Ø 90 mm



	Ø18	Ø25	Ø35	Ø45	Ø60	Ø90
A	26	17	19	31	33	54
B	12	8	10	17	22	40
C	9	9	9	14	11	14
D	18	25	35	45	60	90
E	1/8"	1/8"	1/8"	1/4"	1/4"	1/4"
F	-	-	-	-	25	25
G	10	12	15	19	-	-

SILICONE serie suction cups has a special resistance to oil ,heat and aging ,good mechanical properties , low degree of permanent deformation and low gaz permeability .

Chemical resistance ,
Mineral and vegetable oils , Hydracarbons ,water , vapor and gas .

Temperature of recommended usage – 20 / + 60 °C

$$D = 308 * \sqrt{\frac{F * K}{V * N}}$$

D diameter of suction cup
F weight in kg.
K constant (recommended min. 1.5)
V vacuum level mm/ Hg
N number of suction cup

Material : Silicone (white transparante)

Support material : Nickel plated brass

Diameters : 18 mm – 25 mm – 35 mm – 45 mm – 60 mm – 90 mm

Temperature of usage : - 20 °C / + 60 °C

Suction forces (recommended) : For Ø 18 mm – 0,4 kg. / Ø 25 mm – 0,8 kg / Ø 35 mm – 1,0 kg.
For Ø 45 mm – 2,0 kg. / Ø 60 mm – 2,5 kg / Ø 90 mm – 5,0 kg.

Threads for the support : 1/8" .. 18 mm – 25 mm – 35 mm / 1/4" ..45 mm – 60 mm – 90 mm

SILICONE SUCTION CUPS (bellow type)

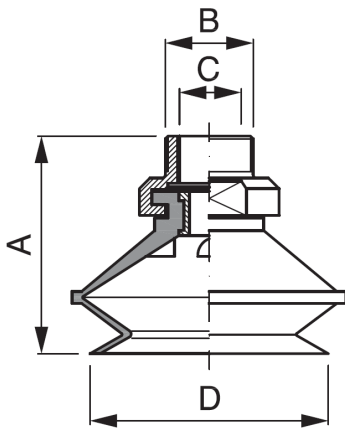


- * SILICONE serie bellow type suction cups
- * Diameters are 20 mm – 30 mm – 40 mm – 50 mm
- * Support is 1/8 " bspp (parallel)

ORDERING CODES for SILICONE bellow type suction cups

1/8" - 20 mm SILICONE	: SMJ18SI200ÇKVV
1/8" - 30 mm SILICONE	: SMJ18SI300ÇKVV
1/8" - 40 mm SILICONE	: SMJ18SI400ÇKVV
1/8" - 50 mm SILICONE	: SMJ14SI500ÇKVV

Ø 20 mm – Ø 30 mm – Ø 40 mm – Ø 50 mm



	Ø20	Ø30	Ø40	Ø50
A	26	33	36	43
B	12	8	10	17
C	1/8"	1/8"	1/8"	1/8"
D	20	30	40	50

Bellow suction cups has an internal filtering element .

The support material is anodized black aluminium .

For the diameter 40 and 50 1/8 " nipple is supplied seperatly .

SILICONE serie suction cups has a special resistance to oil ,heat and aging ,good mechanical properties , low degree of permanent deformation and low gaz permeability .

Chemical resistance , Mineral and vegetable oils , Hydracarbons ,water , vapor and gas .

Temperature of recommended usage – 20 / + 60 °C

$$D = 308 * \sqrt{\frac{F * K}{V * N}}$$

- D diameter of suction cup
- F weight in kg.
- K constant (recommended min. 1.5)
- V vacuum level mm/ Hg
- N number of suction cup

Material : Silicone (white transparante)

Support material : Aluminium black anodized

Diameters : 20 mm – 30 mm – 40 mm – 50

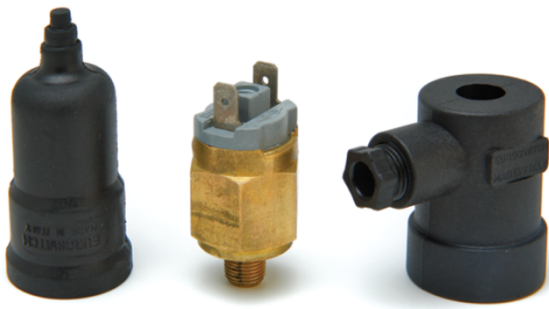
Temperature of usage : - 20 °C / + 60 °C

Suction forces (recommended) : For Ø 20 mm – 1 kg. / Ø 30 mm – 1,5 kg
For Ø 40 mm – 2 kg. / Ø 50 mm – 3,0 kg

Threads for the support : 1/8" bspp (parallel)

1/8 " VACUUM SWITCH

1/8 " VACUUM SWITCH



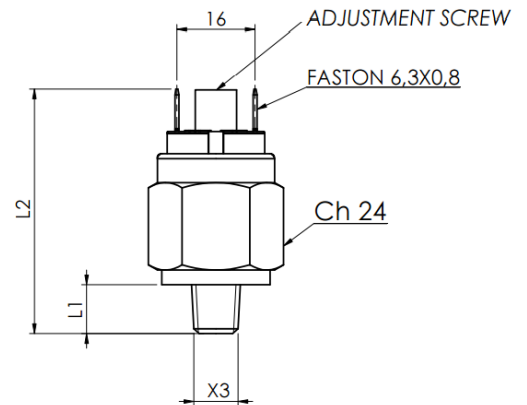
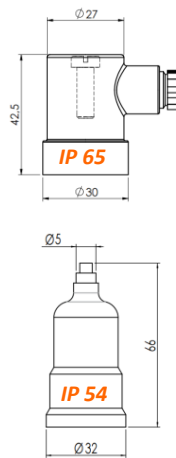
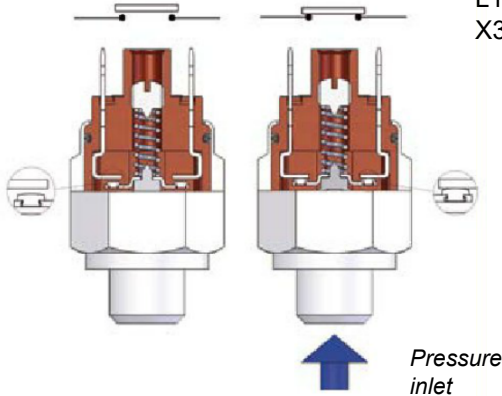
- * BRASS body with technopolimer cover
- * Adjustable VACUUM range .. - 0,2 bar / - 0,9 bar
- * Protection cup is IP 54 or IP 65
- * Pressure connection thread is 1/8 " bspp (parallel)
- * Normally open contact (N.O.)
- * Pressure setting with screwdriver .

ORDERING CODES for 1/8" VACUUM SWITCH

1/8 " VACUUM SWITCH (- 0,2 bar / - 0,9 bar)	:	SMPO02M09BAR0V
IP 54 PROTECTION CUP	:	SMPO0000IP54KK
IP 65 PROTECTION CUP	:	SMPO0000IP65KK

Version : N.O

L2 : 50 mm
L1 : 10 mm
X3 : 1/8 " bspp



Fluid : Compressed filtered air without lubrication

Suitable only for vacuum

Pressure range : - 0,2 bar / - 0,9 bar (150 mmHg / 675 mmHg)

Temperature range : - 10 ° C / + 50 ° C

Working system : Diaphragm actuated

Technical information

Max. Switching current : 0,5 A

Max. Switching voltage : 48 v ac/dc

In accordance with : EN 60730 / I

Protection degree : IP 54 / IP 65 with protection cup

Max. Applicable pressure : 15 bar

Life time : 10⁶ (1 million cycle)

Hysteresis : + / - 100 m bar (0,1 bar)

Seals / Diaphragm : NBR

Weight : 70 gr.

1/8" DIGITAL VACUUM SWITCH



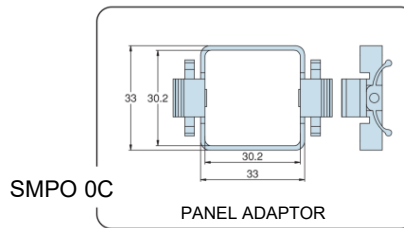
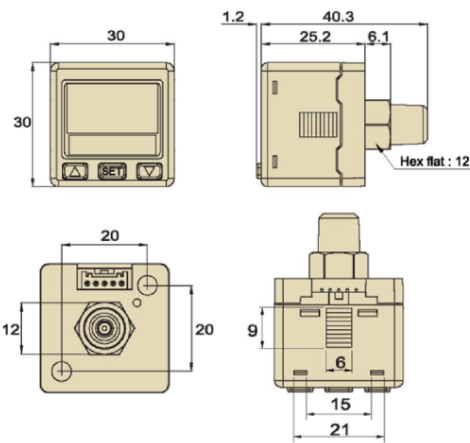
- * *TECHNOPOLIMER compact body .*
- * *Adjustable VACUUM range .. – 0,1 bar / - 0,9 bar*
- * *Protection degree is IP 40*
- * *Pressure connection thread is 1/8 " bspp (parallel)*
- * *Power supply 24 v DC*
- * *2 PNP contact (NO. & NC.) and 4 – 20 mA analog*

ORDERING CODES for 1/8" VACUUM SWITCH

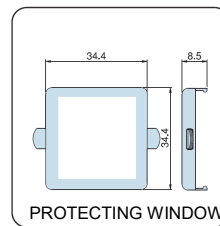
1/8 " VACUUM SWITCH + CABLE 2 m .long

: SMPO1V

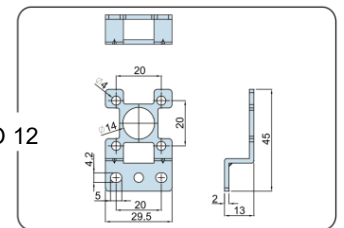
*** FOR THE PROGRAMING of THE PRODUCT PLEASE CONTACT WITH THE SALES DEPARTMENT or VISIT www.semakmatik.com



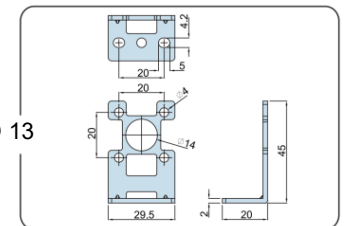
SMPO 0D



SMPO 12



SMPO 13



Fluid : Filtered compressed air , without lubricated

Suitable only for pressured air

Pressure range : min. – 0,1 bar - max. – 0,9 bar

Temperature range : - 10 ° C / + 50 ° C

Response Time : Min. 2.5 ms.

Analog Output details

Output current : 4 to 20 mA

Linearity : +/- 1 %

Load Impedance : Max. 600 Ω / Min. 50 Ω

Pressure port size : 1/8 " bspp

Cable : Oil resistance cable 2m. long (0,15 mm²)

Mounting : In any position ... look at the accessories

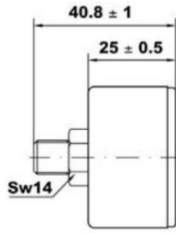
Led color : Green or Red

Switch on indicator : Orange

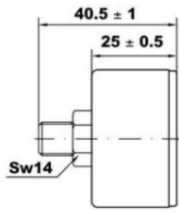
Weight : 80 gr.

1/8" - 1/4" VACUUM GAUGE (standart and panel mounted)

1/8" - Ø40 mm dry manometer (Cl. 1.6) (0 – 760 mm Hg.)

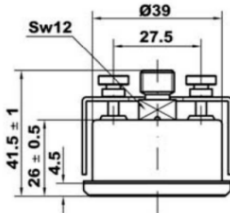


1/4" - Ø63 mm dry manometer (Cl. 1.6) (0 – 760 mm Hg.)



Working system	Bourdon tube pressure gauge
Protection degree	IP 31 for EN 60 529 / IEC 529
Working pressure	STEADY : 75 % of the scale FLUCTUATING : 60 % of the full scale LIMITED TIME : full scale value
Pressure connection	1/8" - 1/4"
Scale mm Hg.	0 - 760 mm Hg. (0 (- 1) BAR
Design	EN 837 - 1
Case & Window	Black / Transparent plastic
Weight	45 gr. / 70 gr.
Temperature range	- 10 °C / + 50 °C
Cod for Ø 40 mm	SMSMAN18A400V
Cod for Ø 63 mm	SMSMAN18A630V

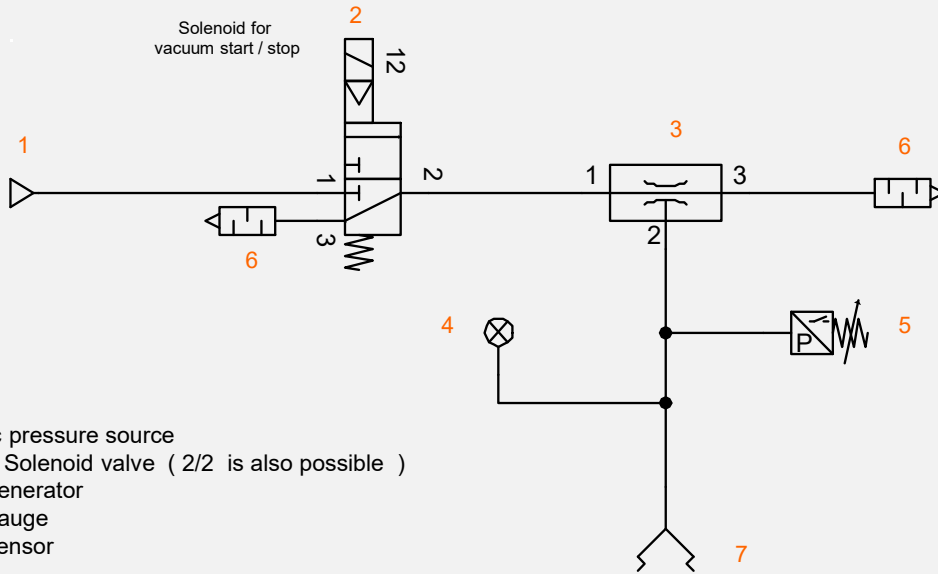
1/8" Ø40 mm dry manometer (Cl. 1.6) (0 – 760 mm Hg.)
PANEL MOUNTED



Working system	Bourdon tube pressure gauge
Protection degree	IP 31 for EN 60 529 / IEC 529
Working pressure	STEADY : 75 % of the scale FLUCTUATING : 60 % of the full scale LIMITED TIME : full scale value
Pressure connection	1/8"
Scale mm Hg.	0 - 760 mm Hg. (0 (- 1) BAR
Design	EN 837 - 1
Case & Window	Zinc plated steel / transparent plastic
Weight	100 gr.
Temperature range	- 10 °C / + 50 °C
Cod for Ø 40 mm	SMSMAN18B400V

Sample 1

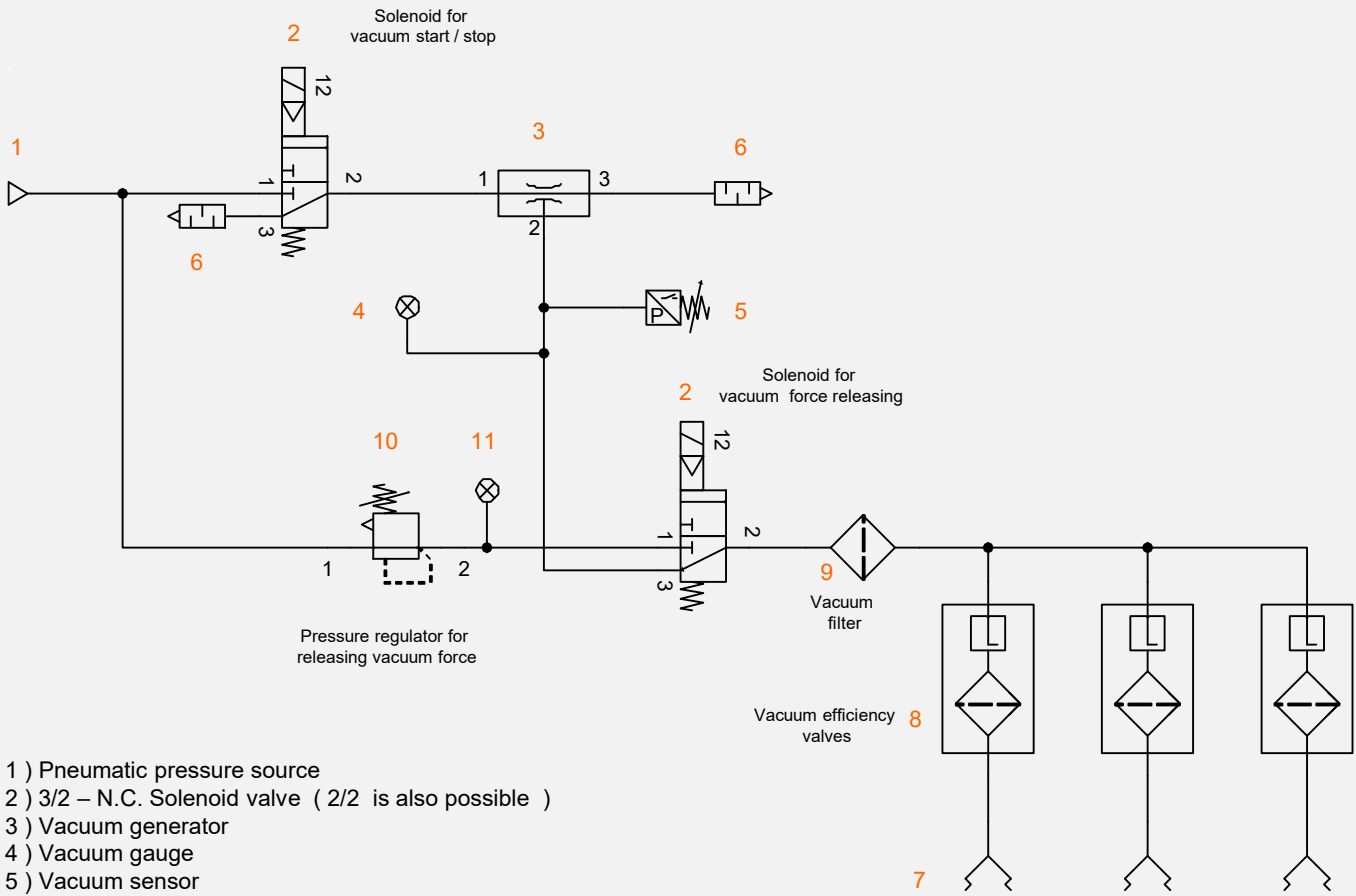
Basic Vacuum circuit with single suction cup



- 1) Pneumatic pressure source
- 2) 3/2 – N.C. Solenoid valve (2/2 is also possible)
- 3) Vacuum generator
- 4) Vacuum gauge
- 5) Vacuum sensor
- 6) Silencer
- 7) Suction cup (bellow type)

Sample 2

Vacuum circuit with multi suction cup



- 1) Pneumatic pressure source
- 2) 3/2 – N.C. Solenoid valve (2/2 is also possible)
- 3) Vacuum generator
- 4) Vacuum gauge
- 5) Vacuum sensor
- 6) Silencer
- 7) Suction cup (bellow type)
- 8) Vacuum efficiency valve
- 9) Vacuum filter
- 10) pressure regulator
- 11) pressure gauge

Certificate of Registration



This is to certify that the Quality Management System of
SEMAKMATİK San. ve Tic. Ltd. Şti.

Yedpa Tic. Merkezi B Cad. No:65 /- 66 Kayışdağı, Ümraniye, İstanbul, Turkey

applicable to

Sales and installation of pneumatic equipments

has been assessed and registered by NQA against the provisions of

BS EN ISO 9001 : 2008

This registration is subject to the company maintaining a quality management system,
to the above standard, which will be monitored by NQA

A. C. W. E. R.

Certification Director



Certificate No:
Date:
Valid Until:
EAC code:

39272
20 September 2013
20 September 2016
18/29

The use of the UKAS Accreditation Mark indicates accreditation in respect of those activities covered by the accreditation certificate number 015 held by NQA.
NQA is a trading division of Accorint Group Ltd. Registration No. 02513162. Registered Office: Warwick House, Houghton Hill Park, Houghton Regis, Dunstable, Bedfordshire, LU5 5ZX.
This certificate is the property of NQA and must be returned on request.

SEMAKMATİK LTD. ŞTİ.
ISO 9001
CERTIFIED COMPANY

SEMAKMATİK
SAN. TİC. LTD. ŞTİ.

DARÜLACEZE CAD. PERPA TİC. MERKEZİ
B BLOK KAT 11 No. 1639 OKMEYDANI / İSTANBUL
TURKEY

TEL : 0090 212 221 27 80 FAX: 0090 212 221 20 46

www.semakmatik.com
semakmatik@semakmatik.com

KASIM 2022 / NOV. 2022